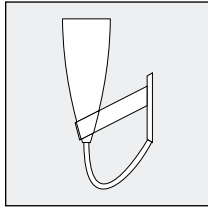


FDL-27 Calyx

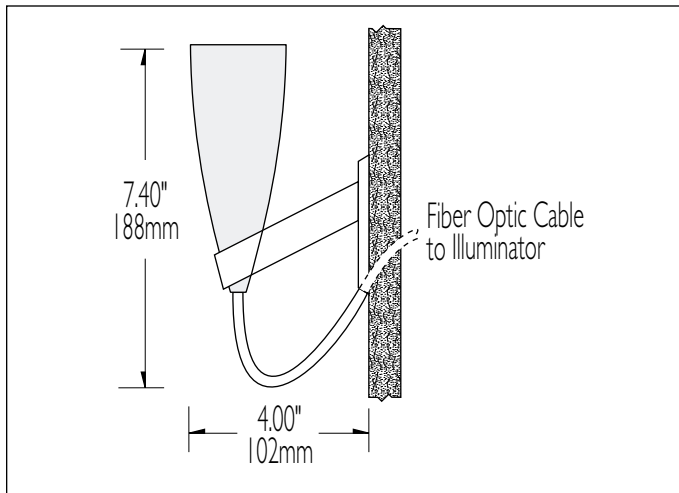
FIBER OPTIC SCONCE



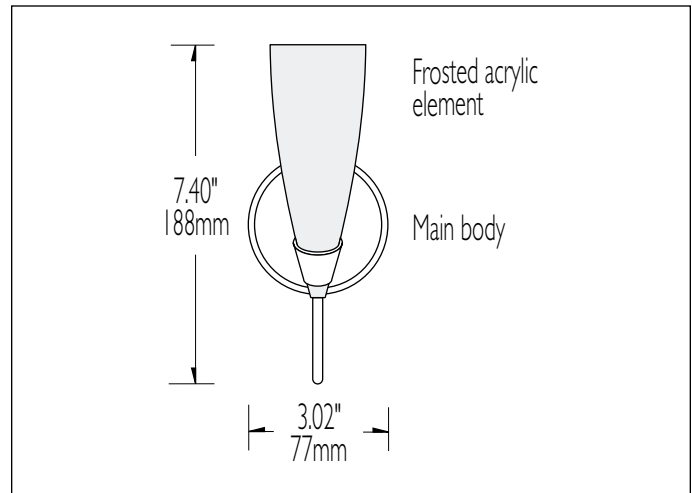
PRODUCT SPECIFICATION

| Cat. No. | Description |
|----------|-------------|
| FDL-27-* | Wall Sconce |

* Specify finish: **W** (white), **B** (black), **C** (chrome), **G** (brass), **S** (stainless steel)



FDL-27 Calyx Side View



FDL-27 Calyx Front View

GENERAL DESCRIPTION

Wall mounted fixture for gentle uplighting and area illumination. Each fixture has a cast steel body with frosted vertical acrylic element. Overall fixture depth is 4 inches with a height, including fiber, of 7.4 inches. The acrylic element is illuminated by size 8 fiber optic cable driven by a remote illuminator source which can be fitted with a color filter or wheel, having up to eight color segments.

APPLICATIONS

Delineation of corridors; decorative schemes in restaurants, hotels, and residential areas. Suitable for applications indoor and in wet locations that benefit from its softly alluring ambiance.

MATERIAL

The main body is available in mild steel or corrosion resistant stainless steel. The vertical element is turned acrylic.

LAMP

There is no lamp, electrical parts or wiring in the fixture other than provision for the fiber optic cable (order separately). The source of illumination is provided by a remote illuminator source (order separately).

FINISH

Main body available finishes are W (White), B (Black), C (Chrome), G (Brass) and S (Stainless Steel). Consult factory for custom finishes.

FIBER COMPATIBILITY.

Calyx is designed to accept size 8 glass or solid core polymer fiber. Up to 52 Calyx fixtures can be lit from one illuminator source, which ideally should be placed no more than fifty feet away.

COMPANION LITERATURE

Consult factory to request fiber optic catalogue and specification order guide or visit our web site for more information.

LUCIFER
LIGHTING COMPANY

414 Live Oak Street
San Antonio, Texas 78202
Phone 210 227-7329
FAX 210 227-4967
www.luciferlighting.com

©2000 Lucifer Lighting Company

As part of its policy of continuous research and product development, the Company reserves the right to change or withdraw specifications without prior notice.