

# CYLINDER 3 FIXED & WALLWASH SURFACE MOUNT

In Q1 2024 we will begin shipping the CY3X in place of the current CY3. This enhanced fixture features dimensions of Ø3.9" x 8.4", lumen outputs up to 3361 lm delivered, more finish options, and additional wet location options. We will continue to receive orders for the CY3 through the end of 2023. See Page 2 for fixture comparison.

PROJECT NAME:

TYPE:



## ORDERING INFORMATION - CYLINDER



Quick Ship Product. All rough in components ship within 10 days up to quantities of 100.



JA8-2019 COMPLIANCE INDICATED BY SHADING

| CYLINDER  | FIXTURE   | RATING     | CYLINDER FINISH                                    | BAFFLE FINISH                              | LUMEN PACKAGE   | CCT  | OPTIC   | DRIVER   | EFFECTS DEVICE   | MOUNTING  |   |   |  |  |  |  |  |  |
|-----------|---|------------|--|--|---|--|---|--|--|---|---|---|--|--|--|--|--|--|
| CY3       |   | 1          |  |  |   |  |   |  |  |   |   |   |  |  |  |  |  |  |
| CY3 3.25" | FB Fixed Body<br>WW Fixed Body Wallwash   | 1 Dry/Damp | WH White   | WH White                                   | <b>LOW FLUX STATIC WHITE</b><br>80C19A 80+ CRI<br>FB Dlv. Lumens - 1127<br>WW Dlv. Lumens - 1280<br>80C25A 80+ CRI<br>FB Dlv. Lumens - 1502<br>WW Dlv. Lumens - 1699<br>90C15A 90+ CRI<br>FB Dlv. Lumens - 905<br>WW Dlv. Lumens - 1096<br>90C20A 90+ CRI<br>FB Dlv. Lumens - 1287<br>WW Dlv. Lumens - 1456<br>97C14A 97+ CRI<br>FB Dlv. Lumens - 863<br>WW Dlv. Lumens - 980<br>97C19A 97+ CRI<br>FB Dlv. Lumens - 1151<br>WW Dlv. Lumens - 1317 | 22 2200K*<br>*(Only available for 90+ CRI)<br>27 2700K<br>30 3000K<br>35 3500K<br>40 4000K | 10 10°*<br>*(Only available for 80C19A, 90C15A, and 97C14A. Not available for 2200K)<br>15 15°<br>25 25°<br>40 40°<br>60 60°<br>WW Wallwash*<br>*(Required and only available for WW fixture) | <b>INTEGRAL</b><br>CA2 120-277V<br>0-10V Analog*<br>*(Not available for use with emergency batteries / generators, consult factory for details)<br>CE3 120V Electronic ELV Forward / Reverse Phase<br><b>REMOTE (120V)</b><br>TR2 Philips, 2% Leading / Trailing / Triac*<br>*(Only available for 80C19A, 90C15A, 97C14A, and Warm Dim)<br>L23 Lutron, Hi-Lume 1% 2-Wire<br><b>REMOTE (120-277V)</b><br>LH1 Lutron, Hi-Lume Ecosystem 1% Fade to Black<br>AN4 Philips Xitanium 1% 0-10V, LOG<br>LN2 Philips Xitanium 1% 0-10V, LIN<br>EA2 eldoLED, SOLOdrive 0.1% 0-10V, LOG<br>LA2 eldoLED, SOLOdrive 0.1% 0-10V, LIN<br>ED1 eldoLED, SOLOdrive 0.1% DALI, LOG<br>LD1 eldoLED, SOLOdrive 0.1% DALI, LIN | <b>STANDARD EFFECTS DEVICE</b><br>4 Soft Focus Lens<br>N No Lens*<br>*(Standard for 10" optic. Not available for Warm Dim)<br>W Wallwash Lens*<br>*(Required and only available for WW fixture)<br><b>ALTERNATE EFFECTS DEVICE</b><br>2 Honeycomb Louver*<br>*(Not available for Warm Dim)<br>3 Clear Glass Lens*<br>*(Not available for Warm Dim)<br>5 Frosted Glass Lens<br>6 Frosted Soft Focus Lens<br>7 Frosted Linear Spread Lens<br>S Soft Focus Lens w/ Linear Spread Film<br>C Clear Glass Lens w/ Linear Spread Film | <b>ROUGH-IN</b><br>JBMP 4" Sq. or 4/0 Junction Box Mounting Plate<br><b>FINISH OUT</b><br>SMK3 3/0 Surface Mount Kit<br>SMK4 4/0 Surface Mount Kit<br>CMJB 1/2" and 3/4" Conduit Ceiling Mount Junction Box*<br>*(Not available for Wet location. Quick Ship Product for WH and BK finishes only) |   |   |  |  |  |  |  |  |
|           |   |            | AG Satin Silver*<br>*(Increased lead time)         | AG Satin Silver*<br>*(Increased lead time) |   |  |   |  |  |   |   |   |  |  |  |  |  |  |
|           | AB Architectural Bronze*<br>*(Increased lead time)  |            | AB Architectural Bronze*<br>*(Increased lead time) |  |   |  |   |  |  |   |   |   |  |  |  |  |  |  |
|           | BK Black  |            | BK Black   |  |   |  |   |  |  |   |   |   |  |  |  |  |  |  |
|           | CF Custom Finish*<br>*(Consult Factory)   |            | CF Custom Finish*<br>*(Consult Factory)            |  |   |  |   |  |  |   |   |   |  |  |  |  |  |  |
|           | <b>HIGH FLUX STATIC WHITE</b><br>80C32A 80+ CRI<br>FB Dlv. Lumens - 1961<br>WW Dlv. Lumens - 2218<br>90C27A 90+ CRI<br>FB Dlv. Lumens - 1680<br>WW Dlv. Lumens - 1834<br>97C24A 97+ CRI<br>FB Dlv. Lumens - 1503<br>WW Dlv. Lumens - 1706                   |            |  |  |   |  |   |  |  |   | 27 2700K<br>30 3000K<br>35 3500K*<br>*(Not available for 97+ CRI)<br>40 4000K | 15 15°<br>25 25°<br>40 40°<br>60 60°<br>WW Wallwash*<br>*(Required and only available for WW fixture) |  |  |  |  |  |  |
|           | <b>WARM DIM</b><br>90W11A 90+ CRI, Incandescent Profile<br>FB Dlv. Lumens - 941<br>WW Dlv. Lumens - 813<br>90W12A 90+ CRI, Standard Profile<br>FB Dlv. Lumens - 991<br>WW Dlv. Lumens - 1013<br>*SEE PAGE 3 FOR DETAILED WARM DIM PROFILE COMPARISON.       |            |  |  |   |  |   |  |  |   | WL 2700K-1800K<br>WD 3000K-1800K  | 25 25°<br>40 40°<br>60 60°<br>WW Wallwash*<br>*(Required and only available for WW fixture)           |  |  |  |  |  |  |
|           | <b>TUNABLE WHITE</b><br>90T10A 90+ CRI, Delivered Lumens - 1104*<br>*ALL DELIVERED LU<br>MEN OUTPUTS AND T24 COMPLIANCE REFLECT 3000K PAIRED WITH 60° / WW OPTIC AND STANDARD EFFECTS DEVICE. REFERENCE PAGE 4 FOR ADDITIONAL T24 COMPLIANT CONFIGURATIONS. |            |  |  |   |  |   |  |  |   | TW 5000K-2700K  | 15 15°<br>25 25°<br>40 40°<br>60 60°  |  |  |  |  |  |  |
|           | (WH) White Powder Coat    (AG) Satin Silver Powder Coat    (AB) Architectural Bronze Powder Coat    (BK) Black Powder Coat  |            |  |  |   |  |   |  |  |   |   |   |  |  |  |  |  |  |

### PART NUMBER NOTES

- Fixed Body ships as e.g., CY3-FB1-WHBK-90C15A2-30CA340
- Wallwash ships as e.g., CY3-WW1-WHBK-90C20A2-W0RMTW0
- Remote driver ships as e.g., PS-RMT-90C20A-1L23
- Mounting ships separate from fixture, part numbers listed on page 6.



**LUCIFER**  
LIGHTING COMPANY

luciferlighting.com

©2023 Lucifer® Lighting Company

As part of its policy of continuous research and product development, the company reserves the right to change or withdraw specifications without prior notice.

[PH] +1-210-227-7329  
[FAX] +1-210-227-4967

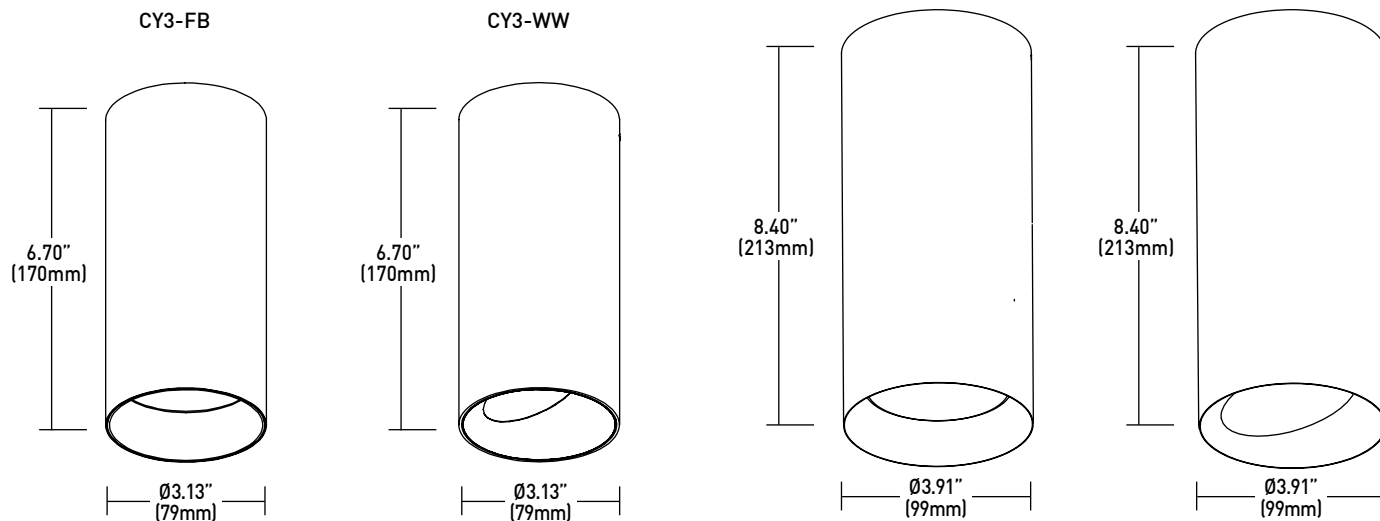
pg. 1

# CYLINDER 3 FIXED & WW SURFACE MOUNT

## FIXTURE COMPARISON

### CURRENT CY3

### NEW CY3X



| FIXTURE COMPARISON   | CURRENT CY3      | NEW CY3X   |
|----------------------|------------------|--|
| MAX DELIVERED LUMENS | 2353             | 3361   |
| FIXTURE FINISHES     | POWDERCOAT       | POWDERCOAT AND ALUMINA FINISHES BY LUCIFER LIGHTING™ |
| BAFFLE FINISHES      | BLACK POWDERCOAT | POWDERCOAT AND ALUMINA FINISHES BY LUCIFER LIGHTING™ |
| EFFECTS DEVICES      | 1                | 2  |
| DECLARE              | DECLARE LISTED   | DECLARE RED LIST APPROVED                            |
| BUY AMERICAN ACT     | NO               | YES  |

### ALUMINA FINISHES BY LUCIFER LIGHTING™



\*ALUMINA FINISHES ARE ANODIZED ALUMINUM

# CYLINDER 3 FIXED & WW SURFACE MOUNT

## ACCESSORIES

### FIXED BODY ALTERNATE BAFFLE AND EFFECTS DEVICE

Includes baffle with sealed lens. Must specify baffle finish.

**RBA-CY3-\*\*-HCL** Honeycomb Louver \*

\*(Not available for Warm Dim)

**RBA-CY3-\*\*-CGL** Clear Glass Lens \*

\*(Not available for Warm Dim)

**RBA-CY3-\*\*-SFL** Soft Focus Lens

**RBA-CY3-\*\*-FGL** Frosted Glass Lens

**RBA-CY3-\*\*-FSFL** Frosted Soft Focus Lens

**RBA-CY3-\*\*-FLSL** Frosted Linear Spread Lens

**RBA-CY3-\*\*-SFL-LSL** Soft Focus Lens W/ Linear Spread Film

**RBA-CY3-\*\*-CGL-LSL** Clear Glass Lens W/ Linear Spread Film

\*\* Baffle finish: Specify **WH** for white, **BK** for black, **AG** for satin silver or **AB** for architectural bronze.

### LOW FLUX AND WARM DIM REPLACEMENT OPTICS

Interchangeable optics accessible by removing snoot or baffle. Not available for Wallwash fixtures.

**RO-70-15-1** 15° optic \*

\*(Not available for Warm Dim)

**RO-70-25-1** 25° optic

**RO-70-40-1** 40° optic

**RO-70-60-1** 60° optic

### HIGH FLUX AND TUNABLE WHITE REPLACEMENT OPTICS

Interchangeable optics accessible by removing snoot or baffle. Not available for Wallwash fixtures.

**RO-70-15-2** 15° optic

**RO-70-25-2** 25° optic

**RO-70-40-2** 40° optic

**RO-70-60-2** 60° optic

### EMERGENCY LIGHTING - REMOTE MOUNT ONLY

Not available with CA2 driver, consult factory for details.

**EMB-S-20/25-120/277-LEDX** 20/25 watt max capacity, 120 or 277 VAC 60Hz

**EMB-S-100-120-LEDX** 100 watt max capacity, 120 VAC 60Hz

**EMB-S-100-277-LEDX** 100 watt max capacity, 277 VAC 60Hz

**EMB-S-250-120/277-LEDX** 250 watt max capacity, 120 or 277 VAC 60Hz

During disruption of main power, emergency battery inverter provides temporary 120V or 277V to fixture.

# CYLINDER 3 FIXED & WW SURFACE MOUNT

## WALLWASH DESIGN GUIDE



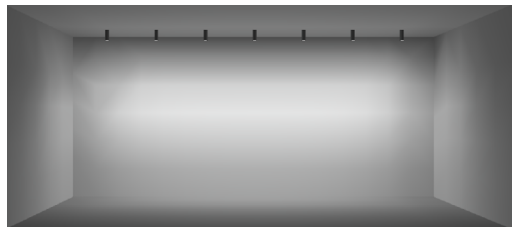
**8FT CEILING**  
**36" SETBACK / 48" ON CENTER SPACING**



**10FT CEILING**  
**36" SETBACK / 48" ON CENTER SPACING**

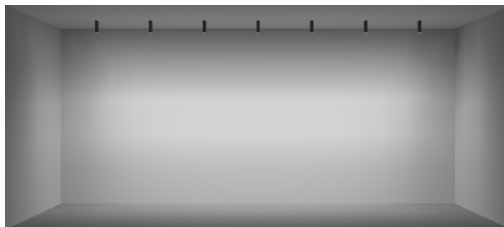


**12FT CEILING**  
**36" SETBACK / 48" ON CENTER SPACING**



**30" SETBACK / 42" ON CENTER SPACING**

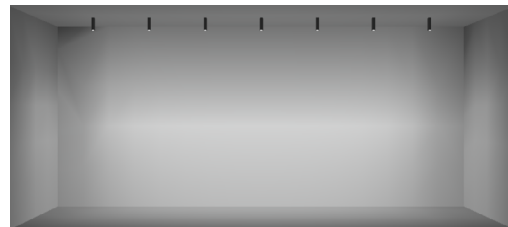
- AVERAGE FC: 23.92
- MAX / MIN: 5.08
- 10FT CEILING SHOWN / 8-12FT IDEAL
- 7 FIXTURES / 25FT WALL SHOWN



### RECOMMENDED

**36" SETBACK / 48" ON CENTER SPACING**

- AVERAGE FC: 19.27
- MAX / MIN: 5.59
- 10FT CEILING SHOWN / 8-12FT IDEAL
- 7 FIXTURES / 28FT WALL SHOWN



**42" SETBACK / 54" ON CENTER SPACING**

- AVERAGE FC: 15.63
- MAX / MIN: 6.19
- 10FT CEILING SHOWN / 8-12FT IDEAL
- 7 FIXTURES / 32FT WALL SHOWN

### ADDITIONAL SETBACKS AND SPACINGS

| ON CENTER SPACING | SETBACK                              |                                      |                                      |
|-------------------|--------------------------------------|--------------------------------------|--------------------------------------|
|                   | 30"                                  | 36"                                  | 42"                                  |
| 42"               | SHOWN ABOVE                          | AVERAGE FC: 21.55<br>MAX / MIN: 5.77 | AVERAGE FC: 19.33<br>MAX / MIN: 6.99 |
| 48"               | AVERAGE FC: 21.35<br>MAX / MIN: 4.31 | SHOWN ABOVE                          | AVERAGE FC: 17.30<br>MAX / MIN: 6.30 |
| 54"               | AVERAGE FC: 19.31<br>MAX / MIN: 4.69 | AVERAGE FC: 17.41<br>MAX / MIN: 5.43 | SHOWN ABOVE                          |

**\*ALL DATA REFLECTS 90C20A LUMEN PACKAGE**

# CYLINDER 3 FIXED & WW SURFACE MOUNT

## STATIC WHITE PERFORMANCE - 3000K

| LUMEN PACKAGE | WATTAGE | 10° OPTIC<br>NO SOFT FOCUS LENS |     | 15° OPTIC<br>SOFT FOCUS LENS |     | 25° OPTIC<br>SOFT FOCUS LENS |     | 40° OPTIC<br>SOFT FOCUS LENS |     | 60° OPTIC<br>SOFT FOCUS LENS |     | WW OPTIC<br>WALLWASH LENS |     |
|---------------|---------|---------------------------------|-----|------------------------------|-----|------------------------------|-----|------------------------------|-----|------------------------------|-----|---------------------------|-----|
|               |         | DELIVERED                       | LPW | DELIVERED                    | LPW | DELIVERED                    | LPW | DELIVERED                    | LPW | DELIVERED                    | LPW | DELIVERED                 | LPW |
| 80C19A        | 17      | 1040                            | 60  | 1352                         | 80  | 1145                         | 67  | 1127                         | 66  | 1202                         | 71  | 1280                      | 75  |
| 80C25A        | 24      | -                               | -   | 1802                         | 76  | 1527                         | 63  | 1502                         | 63  | 1602                         | 67  | 1699                      | 71  |
| 80C32A        | 33      | -                               | -   | 2353                         | 71  | 1993                         | 60  | 1961                         | 59  | 2092                         | 63  | 2218                      | 67  |
| 90C15A        | 17      | 882                             | 51  | 1158                         | 68  | 987                          | 58  | 905                          | 53  | 1030                         | 61  | 1096                      | 64  |
| 90C20A        | 24      | -                               | -   | 1544                         | 65  | 1308                         | 54  | 1287                         | 54  | 1373                         | 58  | 1456                      | 61  |
| 90C27A        | 33      | -                               | -   | 2016                         | 61  | 1708                         | 51  | 1680                         | 51  | 1792                         | 54  | 1834                      | 56  |
| 97C14A        | 17      | 731                             | 43  | 1037                         | 61  | 878                          | 51  | 863                          | 51  | 921                          | 54  | 980                       | 58  |
| 97C19A        | 24      | -                               | -   | 1382                         | 58  | 1171                         | 48  | 1151                         | 48  | 1228                         | 51  | 1317                      | 55  |
| 97C24A        | 33      | -                               | -   | 1804                         | 55  | 1228                         | 46  | 1503                         | 46  | 1603                         | 49  | 1706                      | 52  |
| 90W11A        | 16      | -                               | -   | -                            | -   | 903                          | 56  | 771                          | 48  | 938                          | 58  | 824                       | 41  |
| 90W12A        | 16      | -                               | -   | -                            | -   | 1015                         | 63  | 867                          | 54  | 1054                         | 65  | 926                       | 57  |
| 90T10A        | 14      | -                               | -   | 916                          | 55  | 848                          | 51  | 749                          | 45  | 1104                         | 66  | 971                       | 58  |



### JA8-2019 INDICATED BY SHADING

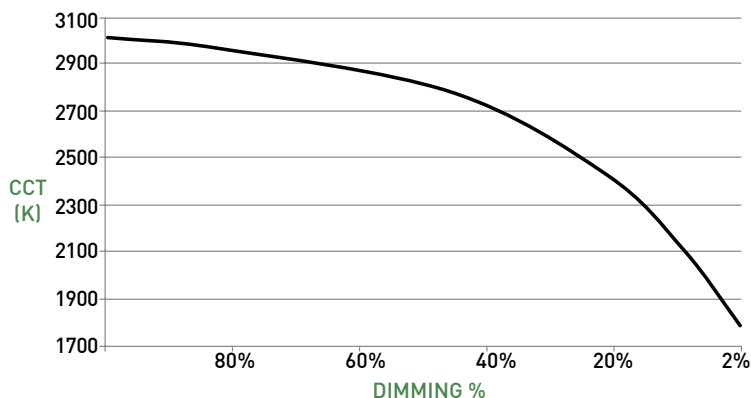
| OUTPUT MULTIPLIER                          |           |
|--|-----------|
| CCT  | CCT SCALE |
| 2200K<br>(Consult factory for JA8 details) | 0.800     |
| 2700K                                      | 0.957     |
| 3000K                                      | 1.000     |
| 3500K                                      | 1.019     |
| 4000K                                      | 1.030     |

| LIGHT LOSS FACTOR MULTIPLIER |      |
|------------------------------|------|
| No Lens                      | 1.05 |
| SFL                          | 1.00 |
| CGL                          | 1.00 |
| FGL                          | 0.90 |
| FSFL                         | 0.87 |
| FLSL                         | 0.83 |
| SFL W/ LINEAR SPREAD         | 0.82 |
| CGL W/ LINEAR SPREAD         | 0.82 |
| HCL                          | 0.65 |

## WARM DIM PERFORMANCE - SOFT FOCUS LENS - 60° OPTIC

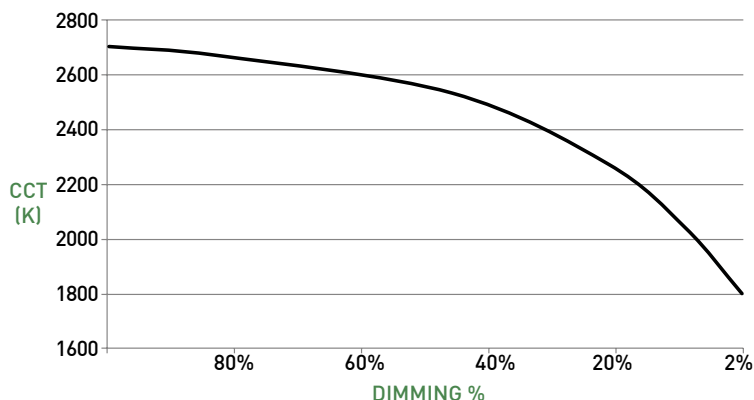
### STANDARD WARM DIM PROFILE

| 90W12A<br>3000K - 1800K | Full on<br>100% | Dimmed<br>to 80% | Dimmed<br>to 70% | Dimmed<br>to 50% | Dimmed<br>to 20% | Dimmed<br>to 10% | Dimmed<br>to 2% |
|-------------------------|-----------------|------------------|------------------|------------------|------------------|------------------|-----------------|
| CCT (K)                 | 3000            | 2950             | 2920             | 2775             | 2375             | 2000             | 1800            |
| Light Output (Lm)       | 1054            | 843              | 737              | 527              | 210              | 105              | 21              |
| Power (W)               | 14              | 11               | 10               | 7                | 3                | 1.5              | 0.3             |
| Efficacy (LPW)          | 65              | 65               | 65               | 65               | 65               | 65               | 65              |



### WARM DIM TO MIRROR INCANDESCENT DIMMING PROFILE

| 90W11A<br>2700K - 1800K | Full on<br>100% | Dimmed<br>to 80% | Dimmed<br>to 70% | Dimmed<br>to 50% | Dimmed<br>to 20% | Dimmed<br>to 10% | Dimmed<br>to 2% |
|-------------------------|-----------------|------------------|------------------|------------------|------------------|------------------|-----------------|
| CCT (K)                 | 2700            | 2650             | 2620             | 2520             | 2180             | 1950             | 1800            |
| Light Output (Lm)       | 938             | 750              | 656              | 469              | 187              | 93               | 18              |
| Power (W)               | 16              | 13               | 11               | 8                | 3                | 1.7              | 0.3             |
| Efficacy (LPW)          | 58              | 58               | 58               | 58               | 58               | 58               | 58              |

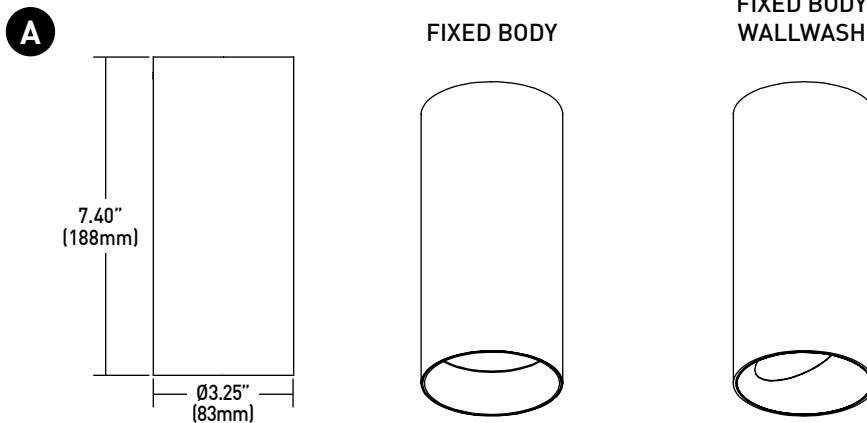


# CYLINDER 3 FIXED & WW SURFACE MOUNT

## CYLINDER ASSEMBLY

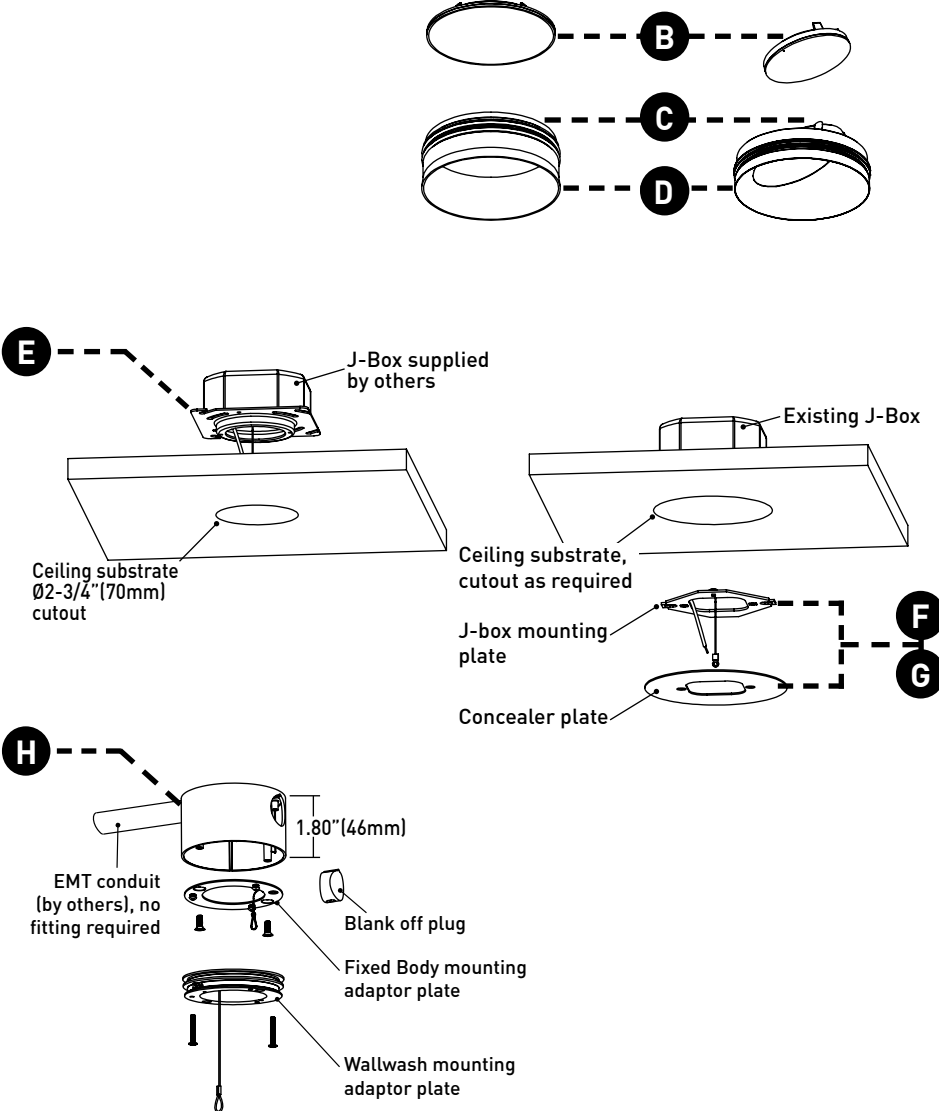
- A LUMINAIRE**  
Body with integrated heat sink and LED. Conceals mounting hardware. Power supply may be integral or remote mount.
- B STANDARD OPTICS**  
Proprietary optics available in 10°, 15°, 25°, 40° & 60° beams.
- WALLWASH OPTIC**  
Precision tuned optic provides uniform wallwashing effect.
- C EFFECTS DEVICE**  
Cylinder baffle assembly can accept 1 lens. Soft focus lens, no lens or wallwash lens standard; lenses sealed in place.
- D BAFFLE**  
Baffle minimizes aperture glare and conceals view into fixture. Suction tool provided for removal of CY3-FB baffle.

## DIMENSIONS / DRAWINGS



## MOUNTING

- E JBMP**  
Mounting plate (concealed) for standard 4" square or 4" 4/0 j-box. To be installed during rough-in, prior to substrate, for ceiling thicknesses up to 0.75". Fixture to mount flush with minimalist transition to ceiling.  
Part Number - CY2/3-JBMP
- F SMK3**  
Surface mount kit includes mounting plate and 4" concealer plate that installs between fixture and standard 3" 3/0 j-box for existing applications where standard j-box cutout is to be concealed.  
Part Number - CY2/3-SMK-3/0-(FINISH)
- G SMK4**  
Surface mount kit includes mounting plate and 5" concealer plate that installs between fixture and standard 4" 4/0 j-box for existing applications where standard j-box cutout is to be concealed.  
Part Number - CY2/3-SMK-4/0-(FINISH)
- H CMJB**  
Ceiling mount junction box perfectly matches the cylinder profile for a continuous, integrated look where exposed ceiling mount junction box and conduit applications apply. For use with 1/2" and 3/4" EMT conduit only. Features two conduit entrances on either side and one conduit knockout on top of j-box. J-box is IP10 rated; painted finishes only. Blank off plugs included.  
Part Number - CY3-CMJB-(FINISH)



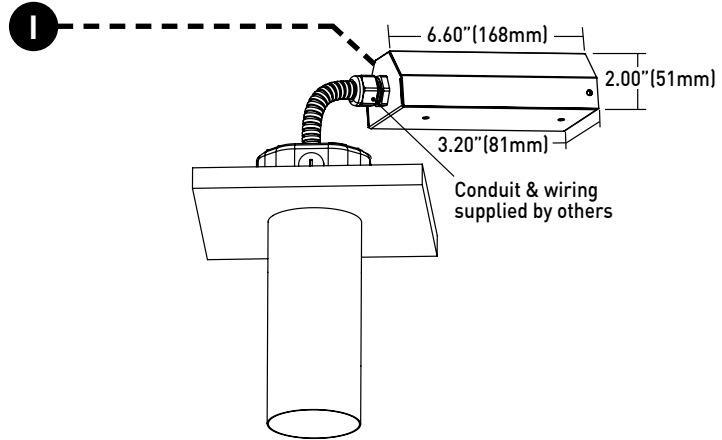
## MOUNTING NOTES

- CY2/3-JBMP and CY2/3-SMK-3/0 & 4/0 not recommended for use with pancake style j-box.
- Fixtures are surface mount and must have access to free air. For applications involving slat ceilings or confined mounting, consult Comprehensive Install Guide for required clearances for proper air flow and servicing.

# CYLINDER 3 FIXED & WW SURFACE MOUNT

## REMOTE POWER SUPPLY

- ❶ **PS-RMT**  
Remote power supply provides additional driver options. Mounting device still required. Consult page 8 for maximum allowable secondary run lengths between PS-RMT and cylinder.



# CYLINDER 3 FIXED & WW SURFACE MOUNT

## TECHNICAL

### CONSTRUCTION

**Cylinder:** Machined aluminum body; extruded aluminum internal heat-sink; painted finishes are granulated powder coat.  
**CMJB:** Die-cast aluminum body; painted finishes are granulated powder coat.  
**Remote Power Supply:** 22 Gauge galvanized steel.

### STATIC WHITE LED

2-step MacAdam ellipse LED module available in 80+, 90+ and 97+ CRI configurations in color temperatures of 2200K, 2700K, 3000K, 3500K and 4000K. Average rated lamp life: 50,000 hours. LED and driver assemblies are field-replaceable.

### WARM DIM LED

3-step MacAdam ellipse warm dim LED module available in 90+ CRI configuration. 3000K or 2700K at full brightness, warming to 1800K at full dim. Average rated lamp life of 50,000 hours. LED and driver assemblies are field-replaceable.

### TUNABLE WHITE LED

5-step MacAdam ellipse tunable white LED module available in 90+ CRI configuration. Features tuning range of 2700K to 5000K. Average rated lamp life of 50,000 hours. Driver assemblies are field-replaceable.

### POWER SUPPLY PERFORMANCE AND DIMMING INFORMATION

| Power Supply | CA3    | CE3    | TR2    | L23   | LH1   | AN4    | LN2    | EA2    | LA2    | ED1    | LD1    | DN1    | DG1    | DD1    |
|--------------|--------|--------|--------|-------|-------|--------|--------|--------|--------|--------|--------|--------|--------|--------|
| Minimum °C   | -20 °C | -20 °C | -20 °C | 0 °C  | 0 °C  | -20 °C | -20 °C | -20 °C | -20 °C | -20 °C | -20 °C | -20 °C | -20 °C | -20 °C |
| Maximum °C   | 40 °C  | 40 °C  | 40 °C  | 40 °C | 40 °C | 40 °C  | 40 °C  | 40 °C  | 40 °C  | 40 °C  | 40 °C  | 40 °C  | 40 °C  | 40 °C  |
| Dimming %    | 2.0%   | 2.0%   | 2.0%   | 1.0%  | 1.0%  | 1.0%   | 1.0%   | 0.1%   | 0.1%   | 0.1%   | 0.1%   | 0.1%   | 0.1%   | 0.1%   |

Note: For TR2, L23, LH1, AN4, LN2, EA2 and LA2 drivers consult chart on page 9 to confirm appropriate dimming curve for compatibility with selected control.

### MAXIMUM ALLOWABLE REMOTE DRIVER WIRING DISTANCES

| DRIVER                            | WIRE AWG |      |      |     |     |
|-----------------------------------|----------|------|------|-----|-----|
|                                   | 12       | 14   | 16   | 18  | 20  |
| TR2, AN4, LN2                     | 285'     | 180' | 113' | 71' | 45' |
| L23, LH1                          | 60'      | 40'  | 25'  | 15' | -   |
| EA2, LA2, ED1, LD1, DD1, DG1, DN1 | -        | -    | 118' | 72' | 46' |

### WALLWASH SPACING

Factory recommends 48" (1219mm) spacing on center with 36" (914mm) setback from wall plane.

### MOUNTING

Cylinder is supplied with a mounting adaptor plate, which integrates with required additional mounting accessories specified separately according to field application conditions, providing a minimalist transition from standard 4/0 or 4" square junction boxes and accommodating ceiling thicknesses of 0.44" (12mm) to 0.75" (19mm). Ceiling-mount junction box available for 1/2" (13mm) and 3/4" (19mm) conduit and feature concealed internal clamps for clean fitting-free conduit exit and entry.

### LISTING

cTUVus listed to UL1598 standard for Dry / Damp (CY3-FB IP14 and CY3-WW IP30) locations. Title 24 JA8-2019 Listed.

### DECLARE

LBC Declared.

### WEIGHT

Cylinder / Mounting - 2.4 lbs max  
 Remote Driver - 1.4 lbs

### LIMITED WARRANTY

Manufacturer's 1-year warranty guarantees product(s) listed to be free from defects in material and workmanship under normal use and service. 5-year warranty on LED and power supply to operate with 70% of the original flux and remain within a range of 3 duv. 10-year Lutron Advantage limited warranty available on Lutron equipped systems. Warranty period begins from the date of shipment by Seller and conditional upon the use of manufacturer-supplied power supply. Consult [website](#) for full warranty terms and conditions.

### CHANGE LOG

- 01/12/2021: ADDED 2200K, 2700K-1800K WARM DIM AND 10 DEGREE
- OPTIC OFFERINGS.
- 04/26/2021: ADDED FIXED BODY WALLWASH, AND LP1 DRIVER OFFERINGS.
- 11/17/2021: UPDATED 25° PHOTOMETRICS.
- 06/21/2022: ADDED SOFT FOCUS LENS W/ LINEAR SPREAD FILM, AND CLEAR GLASS LENS W/ LINEAR SPREAD FILM.
- 10/17/2022: REMOVED 90W13A 3200K-1800K WARM DIM AND ADDED 90W12A 3000K-1800K WARM DIM.
- 12/8/22: ADDED TUNABLE WHITE OFFERING AND RESPECTIVE PERFORMANCE DATA.
- 04/26/2023: ADDED DECLARE LBC APPROVED.



# CYLINDER 3 FIXED & WW SURFACE MOUNT

## DIMMING COMPATIBILITY

### PHILIPS DRIVER COMPATIBILITY

| Power supply <b>TR2</b><br>Manufacturer       | Family/Model #        |
|---|-----------------------|
| Lutron Electronics                            | DV-600P               |
| Lutron Electronics                            | DVELV-303P            |
| Lutron Electronics                            | NTELV-600             |
| Lutron Electronics                            | MAELV-600             |
| Lutron Electronics                            | SELV-300P             |
| Lutron Electronics                            | DVLV-600P             |
| Lutron Electronics                            | NFTU-5A               |
| Lutron Electronics                            | CTCL-153P             |
| Lutron Electronics                            | GL-600H               |
| Lutron Electronics                            | S-600P                |
| Lutron Electronics                            | PHPM                  |
| Power supply <b>AN4 / LN2</b><br>Manufacturer | Family/Model #        |
| Lutron Electronics                            | DVTV plus PP-DV       |
| Lutron Electronics                            | DVSCTV plus PP-DV     |
| Lutron Electronics                            | DVSTV                 |
| Lutron Electronics                            | DVSCSTV               |
| Lutron Electronics                            | QSGRJ-XP plus GRX-TVI |
| Lutron Electronics                            | QSGRJ-XE plus GRX-TVI |
| Lutron Electronics                            | QSGR-XE plus GRX-TVI  |
| Lutron Electronics                            | NFTV plus PP-DV       |
| Lutron Electronics                            | NTSTV                 |
| Lutron Electronics                            | RMJ-5T                |
| Lutron Electronics                            | RMJS-8T               |
| Lutron Electronics                            | FCJS-010              |
| Leviton                                       | IllumaTch IP7 series  |
| Philips                                       | Sunrise - SR1200ZTUNV |

### LUTRON DRIVER COMPATIBILITY

| Power supply <b>L23</b><br>Lutron Product Family              | Part No.                     |
|---|------------------------------|
| Maestro WirelessR 600 W dimmer                                | MRF2-6ND-120-                |
| Maestro WirelessR 1000 W dimmer                               | MRF2-10ND-120-               |
| Caséta® Wireless Pro 1000 W dimmer                            | PD-10NXD-                    |
| GRAFIK T™ CL® dimmer  | GT-250M-GTJ-250M-            |
| HomeWorks® QS adaptive dimmer                                 | HQRD-6NA-                    |
| HomeWorks® QS 600 W dimmer                                    | HQRD-6ND-                    |
| HomeWorks® QS 1000 W dimmer                                   | HQRD-10ND-                   |
| RadioRA® 2 adaptive dimmer                                    | RRD-6NA-                     |
| RadioRA® 2 1000 W dimmer                                      | RRD-10ND                     |
| myRoom™ DIN power module                                      | MQSE-4A1-D                   |
| HomeWorks® QS DIN power module                                | LQSE-4A1-D                   |
| HomeWorks® QS wallbox power module                            | HQRJ-WPM-6D-120              |
| HomeWorks® wallbox power module                               | HWI-WPM-6D-120               |
| GRAFIK Eye® QS control unit                                   | QSGR-, QSGRJ-                |
| GRAFIK Eye® 3000 control unit                                 | GRX-3100-GRX-3500-           |
| RPM-4U module (LCP, HomeWorks® QS, GRAFIK Systems™, Quantum®) | HW-RPM-4U-120 LP-RPM-4U-120  |
| RPM-4A module (LCP, HomeWorks® QS, GRAFIK Systems™, Quantum®) | HW-RPM-4A-120, LP-RPM-4A-120 |
| GP dimming panels   | Various                      |
| Ariadni CL 250W dimmer  | AYCL-253P-                   |
| Diva CL 250W dimmer   | DVCL-253P-DCSCCL-253P-       |
| Nova T CL 250W dimmer   | NTCL-250-                    |
| Power supply <b>LH1</b><br>Lutron Product Family              | Part No.                     |
| PowPak Dimming Modules  | RMJ-ECO32-DV-B               |
| PowPak Dimming Modules  | FCJ/FCJS-ECO                 |
| Energi Savr Nodes   | QSN-1ECO-S                   |
| GRAFIK Eye QS control unit                                    | QSN-2ECO-S                   |
| Homeworks QS control unit                                     | QSGRJ- E (wireless) QSGR- E  |
| Quantum Hub   | QP2-__ 2C                    |
| Quantum Hub   | QP2-__ 4C                    |
| Quantum Hub   | QP2-__ 6C                    |
| Quantum Hub   | QP2-__ 8C                    |
| Homeworks QS power module                                     | LQSE-2ECO-D                  |
| myRoom Plus power module                                      |                              |

### eldoLED DRIVER COMPATIBILITY

| Power supply <b>EA2 / LA2</b><br>Dimmer / Switch Control<br>Manufacturer  | Family/Model #                 |
|---|--------------------------------|
| Busch-Jaeger  | 2112U-101                      |
| Jung  | 240-10                         |
| Leviton Lighting Controls   | IP710-DLX                      |
| Lightolier Controls   | ZP600FAM120                    |
| Lutron Electronics  | Nova T® - NTFTV                |
| Lutron Electronics  | Div@ - DVTV                    |
| Lutron Electronics  | Nova@ - NFTV                   |
| Merten  | 5729                           |
| Pass & Seymour  | CD4FB-W                        |
| The Watt Stopper  | DCLV1                          |
| Sensor Switch   | nI0 EZ                         |
| Synergy   | ISD BC                         |
| Power supply <b>EA2 / LA2</b><br>Lighting Control Systems<br>Manufacturer | Family/Model #                 |
| Lutron Electronics  | GrafixEye® GRX-TVI w GRX3503   |
| Lutron Electronics  | Energy Savr Node™ - QSN-4T16-S |
| Lutron Electronics  | TVM2 Module                    |
| Crestron®   | GLX-DIMFLV8                    |
| Crestron®   | GLXP-DIMFLV8                   |
| Crestron®   | GLPAC-DIMFLV4-*                |
| Crestron®   | GLPAC-DIMFLV8-*                |
| Crestron®   | GLPP-DIMFLVEX-PM               |
| Crestron®   | GLPP-1DIMFLV2EX-PM             |
| Crestron®   | GLPP-1DIMFLV3EX-PM             |
| Crestron®   | DIN-A08                        |
| Crestron®   | DIN-4DIMFLV4                   |
| Crestron®   | CLS-EXP-DIMFLV                 |
| Crestron®   | CLCI-1DIMFLV2EX                |
| ABB   | SD/S 2.16.1                    |

