

PATHLIGHT

LED LUMINAIRE SSL1, ISL1, ISL2 & BOLLARDS

INSTALLATION

Before beginning any pathlight installation, disconnect electrical power at main switch or circuit breaker.

A. CAUTION

To reduce the risk of fire, electric shock, and potential damage to recessed housing assembly when electrical power is re-connected, DO NOT ATTEMPT TO CONNECT the following on branch circuit serving pathlight assembly:

- Motors
- Power tools
- Extension cords
- Appliances or similar electronics

Fixtures to be mounted in conditions where ambient temperatures do not exceed 40°C.

Ensure AC input voltage is protected against surges & load shifts prior to power supply input.

B. SAFETY INSTRUCTIONS

1. Read installation instructions completely before attempting installation.
2. Failure to follow instructions may result in improper installation and void warranty.
3. Contact Lucifer Lighting Company with any questions or concerns before beginning any installation.
4. Ensure qualified electrician will perform all electrical procedures.
5. Disconnect electrical power circuit before attempting to install pathlight or power supply.

This product must be installed in accordance with applicable electrical and installation codes by a person familiar with the construction and operation of the product and the hazards involved. "CAUTION- RISK OF FIRE"

C. DESCRIPTION

Pathlights are Class II LED luminaires for discreet path lighting for residential, commercial and hospitality applications. Durable precision milled 316 stainless steel or brass casting.

D. RECOMMENDED SPACING

Optimum 18" (457mm) above walking surface; 36" (915mm) on-center spacing for SSL1 & ISL1; 60" (1524mm) on-center spacing for ISL2 .

E. POWER

Luminaires require factory-supplied 24-Volt DC power supply, specified separately. Integral and remote mounted power supply options available. Secondary run lengths dependant of selected power supply. Fixtures supplied with 6" lead of 18 gauge wire.

F. POWER SUPPLIES

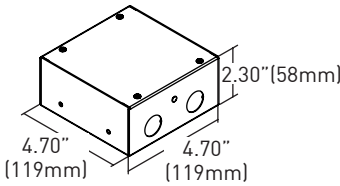
1. REMOTE POWER SUPPLIES

Class 2 remote power supplies accommodate varying quantities of fixtures. Power supply must be located in a readily accessible location for future servicing.

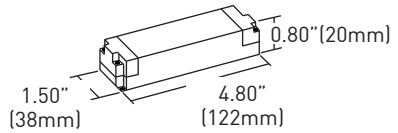
REMOTE POWER SUPPLY OPTIONS

PART #	Part ID
PSA-24V-60-XAT2	A
PSA-24V-XX-XXXX	B
UBB-JCT-24V-60-XAT2-XXX	C

- (A) Class 2 power supply dimmable via 0-10V analog, reverse phase or forward phase. Domestic version features 1/2" knockouts.

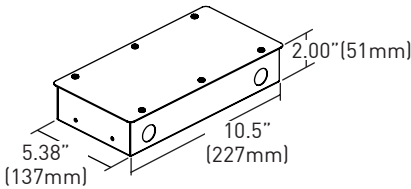


Domestic

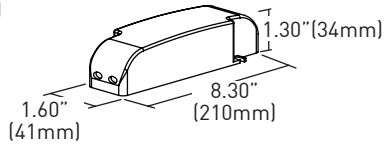


International

- (B) Class 2 power supply and multiple driver options. Domestic version features 1/2" knockouts.

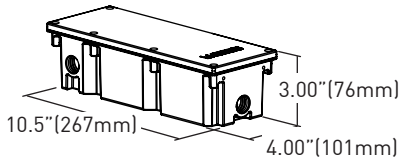


Domestic



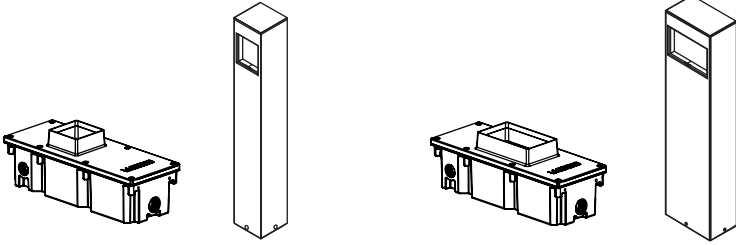
International

- (C) Universal back box with 1/2" knockouts, wet and concrete pour rated. Dimmable via 0-10V analog, reverse phase or forward phase. Can be mounted using specified hanger bars or brackets. Available for domestic and international.



2. INTEGRAL POWER SUPPLY

When specified with integral power supply, universal back box or Bollard feature mounting for 1 fixture. Universal back box power supply can support multiple fixtures. Separate mounting components required for each fixtures.



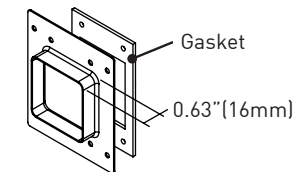
G. LUMINAIRE MOUNTING OPTIONS

Ensure mounting component and wiring is in place before installing substrate. Minimal tolerances exist between fixture and mounting component, cutout dimensions are critical. Part numbers & Images depicted through this guide are applicable of SSL1 & ISL1.

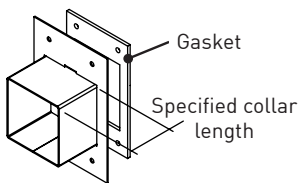
1. MOUNTING PLATES - DRY / DAMP, WET AND CONCRETE POUR LOCATIONS

SSL-UMP: Compatible with two-gang switch box or 4-square junction box for Dry / Damp locations and weatherproof single or two gang box for Wet and concrete pour locations. Must use provided gasket in Wet locations.

SSL-MP-(Collar Length): For use with single gang weatherproof box for Wet and concrete pour locations. Must use provided gasket in Wet locations.

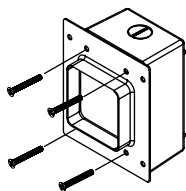


SSL-UMP

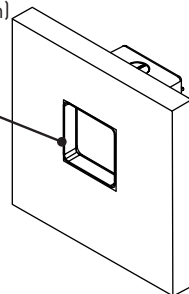


SSL-MP-(Collar Length)

SSL1 & ISL1: 2.40" (62mm) square cutout
ISL2: 2.40" (62mm) H X 4.10" (104mm) W cutout



Secure mounting plate to customer furnished back box



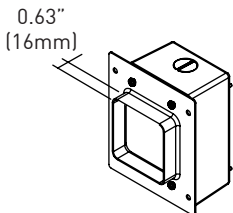
Collar to finish flush with finished substrate

2. BACK BOXES - DRY / DAMP, WET AND CONCRETE POUR LOCATIONS

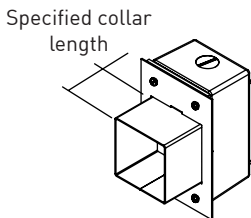
SSL-BB: Includes back box, gasket and SSL-UMP mounting plate; features 1/2" knockouts on top, bottom and back of box.

SSL-BB-(Collar Length): Includes back box, gasket and mounting plate with specified collar length; features 1/2" knockouts on top, bottom and back of box.

Note: All unused knockout must be sealed with supplied plugs.

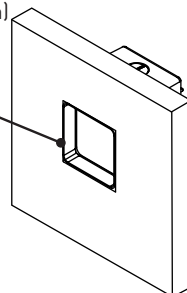


SSL-BB



SSL-BB-(Collar Length)

SSL1 & ISL1: 2.40" (62mm) square cutout
ISL2: 2.40" (62mm) H X 4.10" (104mm) W cutout



Collar to finish flush with finished substrate

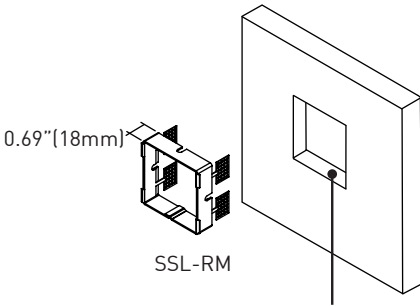
3. MOUNTING COLLARS - DRY / DAMP LOCATIONS ONLY

SSL-RM: Remodel collar for installing fixture into drywall / plasterboard.

SSL-CC: Cavity collar for installing fixture into cavity or bore.

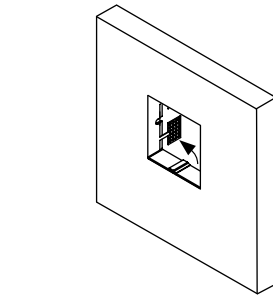
SSL-SC3: Stud-mount collar, adjusts from 1/2" to 3". Features 1/2" knockouts.

SSL-SC6: Stud-mount collar, adjusts from 3" to 6". Features 1/2" knockouts.

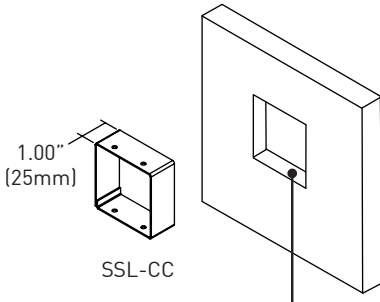


SSL-RM

SSL1 & ISL1: 2.40" (62mm) square cutout
ISL2: 2.40" (62mm) H X 4.10" (104mm) W cutout

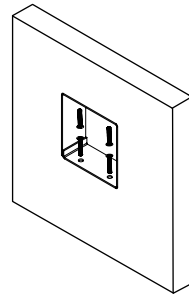


Insert collar into cutout flush with finished substrate; fold tabs over to secure

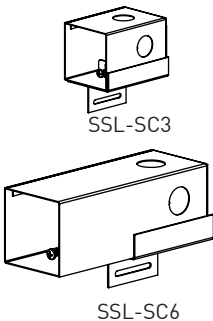


SSL-CC

SSL1 & ISL1: 2.40" (62mm) square cutout
ISL2: 2.40" (62mm) H X 4.10" (104mm) W cutout

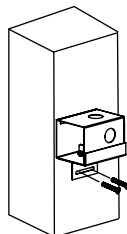


Insert collar into cutout flush with finished substrate; secure with customer furnished screws or nails or suitable bonding adhesive.

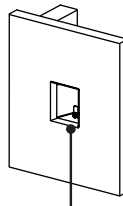


SSL-SC3

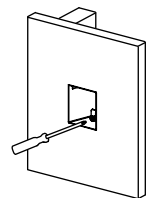
SSL-SC6



Secure collar to stud with customer furnished screws



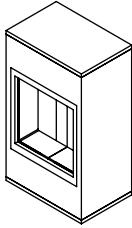
2.40" (62mm) square cutout



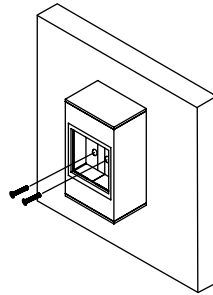
Extend collar to be flush with finished substrate

4. SURFACE MOUNT BOX - DRY / DAMP AND WET LOCATIONS

SSL-SMB-(Finish): Provides flush mount of luminaire. Receives secondary wiring through back of box only.



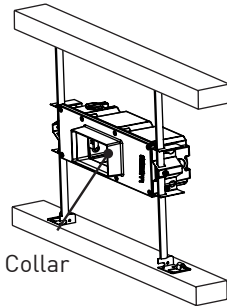
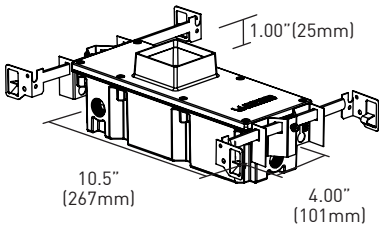
SSL-SMB-(Finish)



Mount to finished surface through back of box with customer furnished screws

5. UNIVERSAL BACK BOX - WET AND CONCRETE POUR LOCATIONS

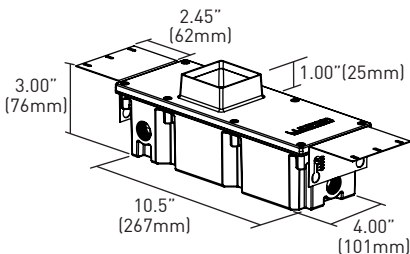
Can be specified with integral or remote power supply, supplied with hanger bars or brackets, specified on order. SSL1 & ISL1 mount horizontally or vertically, ISL2 mounts horizontally only. SSL1 & ISL1: 2.40" (62mm) square cutout. ISL2: 2.40" (62mm) H X 4.10" (104mm) W cutout.



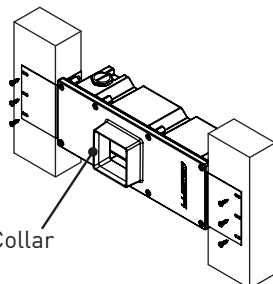
Collar

Hanger bars adjust from 14" (356mm) to 24" (610mm) and may be cut to accommodate narrow stud spacing

Collar to finish flush with finished substrate.



Brackets, universal stainless steel mounting flange



Collar

Collar to finish flush with finished substrate

6. BOLLARD - DRY / DAMP AND WET LOCATIONS

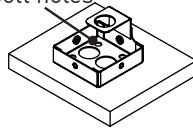
Freestanding mount, receives luminaire for flush installation, available with integral or remote power supply. Mounting option specified on order. Ensure all wiring is installed prior to bollard installation.

0.88" (22mm)
KOs for wiring

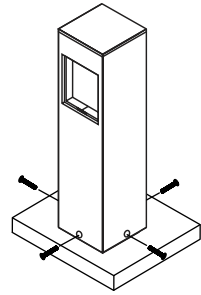


BOLT-DOWN

Four 0.28" (7mm)
bolt holes

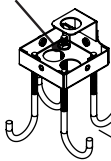


Base is bolted directly to mounting surface with customer-furnished hardware



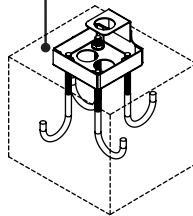
Secure bollard to base with supplied screws

0.88" (22mm)
KOs for wiring

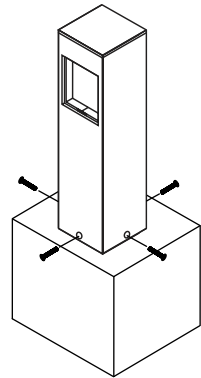


CONCRETE POUR

Concrete Pour

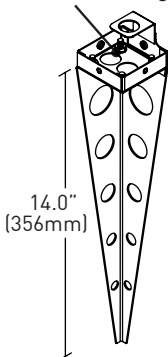


Zinc-plate J-bolts for concrete pour mounting



Secure bollard to base with supplied screws

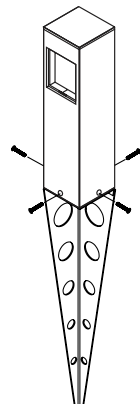
0.88" (22mm)
KOs for wiring



14.0" (356mm)

STAKE DOWN

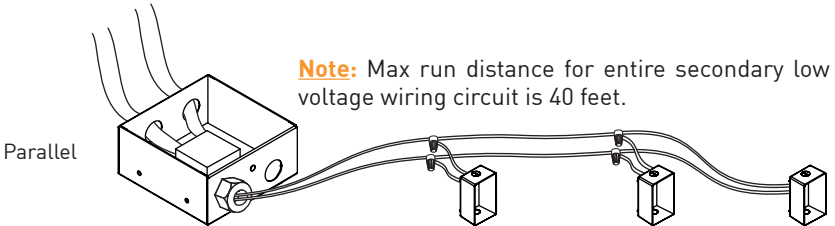
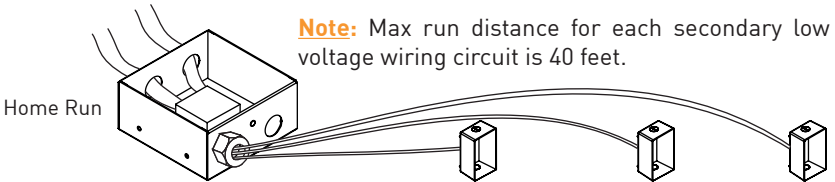
Secure bollard to base and insert into ground



H. WIRING

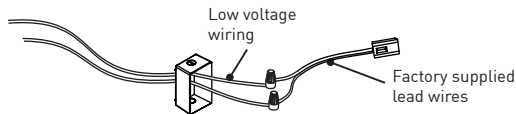
Access wiring compartment by removing lid and lid retaining screws. Insert line, load and control voltage wires with appropriate conduit or strain relief fittings through knockouts.

Connect primary and control wiring to power supply. Run secondary low voltage wiring to each fixture location in either home run or parallel method.



Back boxes used as example of mounting location

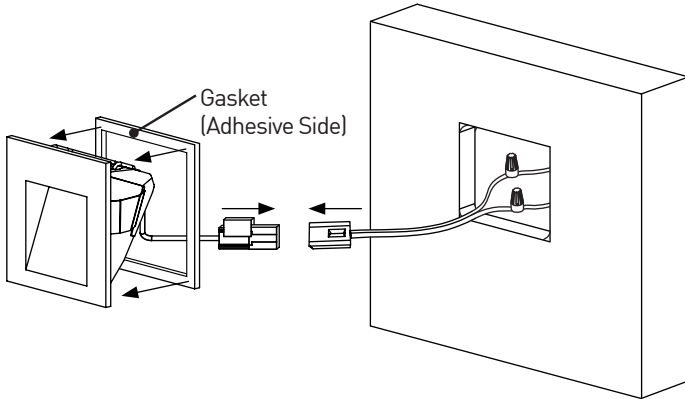
At each mounting location, connect low voltage wiring to factory supplied 6" lead wire with connector for attaching to fixture. See next section for mounting options.



I. LUMINAIRE INSTALLATION

Place self-adhesive gasket on back of luminaire for wet locations. Connect pin connector of pathlight to lead wire connector supplied by factory (see wiring on page 8).

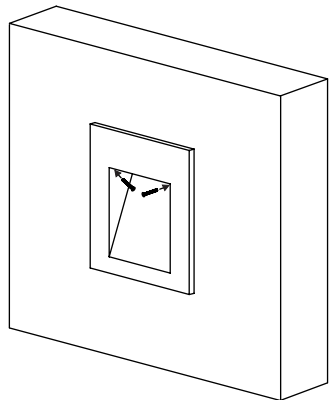
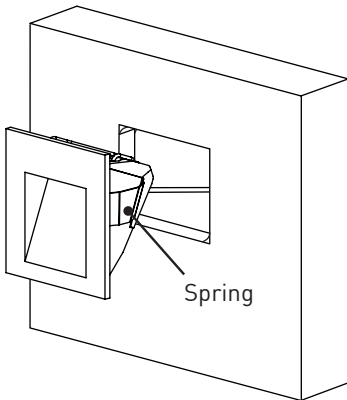
Note: Gasket not used on Bollard or Surface Mount Box



Push wires into cavity / junction box and insert fixture as shown below, applying even pressure to face of fixture.

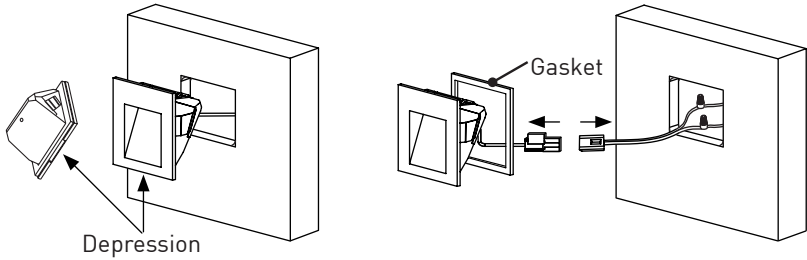
Note: If mounting device collar is not flush with substrate, springs may not fully engage.

Fixtures designated as Locking (Wet location) feature two discreet factory supplied locking screws. While fixture is pressed in place, tighten hex screws with provided hex key.

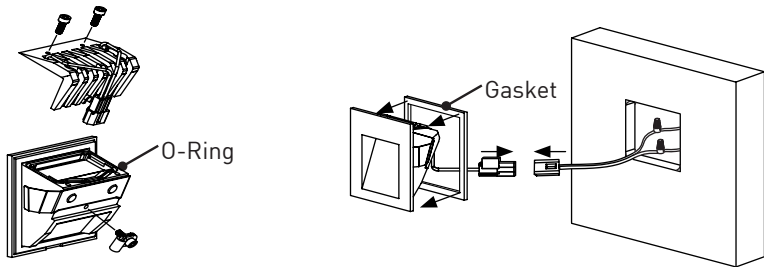


J. SERVICING LED

If Locking (Wet location) version, loosen 2 screws located inside fixture aperture using hex key. Pull fixture outward from mounting surface. A small depression is provided on the lower backside of the fitting face to aid in leveraging the fixture if necessary. Disconnect pin connector and remove gasket.



Remove 3 hex screws and separate LED assembly from fixture. Replace with OEM LED assembly sourced through Lucifer Lighting. Ensure O-ring seats properly and screws are tightened. Replace gasket, connect pin connector and push fixture into mounting location. If Locking (Wet location), tighten 2 screws located inside fixture aperture.



K. SERVICING UBB

STEP 1

Remove fixture from UBB, see Section I.

STEP 2

Insert a flathead screwdriver through the brackets on the wiring compartment access panel and pry it towards the driver assembly and remove it through the aperture (*Fig. 1*).

STEP 3

Disconnect line/mains and control wiring.

STEP 4

Loosen driver retaining nut, ensuring it is not removed (*Fig. 2*).

STEP 5

Remove driver assembly.

STEP 6

Disconnect additional load wiring if applicable.

STEP 7

Reattach structure wiring to new driver, as applies.

STEP 8

Install driver assembly, note that it must be seated on the rear stud and under the nut (*Fig. 2*).

STEP 9

Secure driver retaining nut (*Fig. 2*).

STEP 10

Reattach line/mains and control wiring.

STEP 11

Install the wiring compartment access panel (*Fig. 3*).

STEP 12

Re-install fixture in UBB, see Section I.

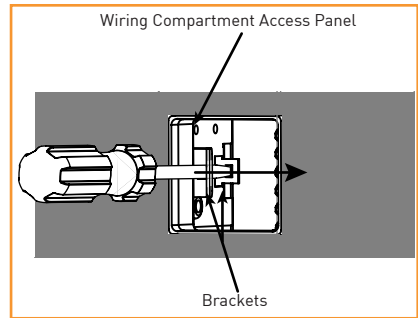


Fig. 1

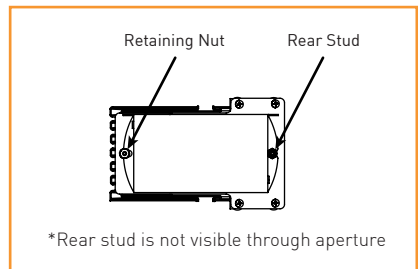


Fig. 2

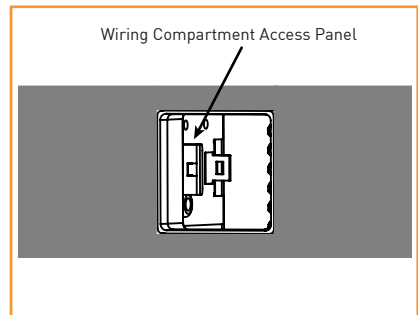


Fig. 3

L. SERVICING PS-RMT

STEP 1

Remove screws securing lid to enclosure (Fig.4).

STEP 2

With lid removed, disconnect line/mains, load and control wiring from driver.

STEP 3

Remove power supply retaining clamps/screws/nuts as apply.

STEP 4

Remove and replace driver assembly (Fig.5).

STEP 5

Secure with retaining clamps/screws/nuts.

STEP 6

Reattach lines/mains, load and control wiring with suitable connectors. See Section M.

STEP 7

Re-install lid on enclosure (Fig.4).

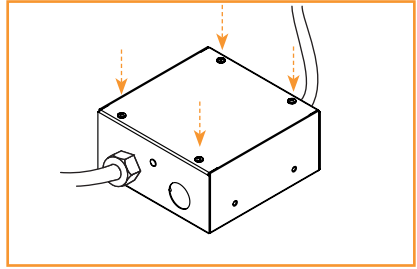


Fig.4

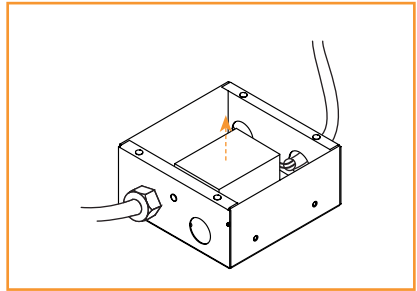
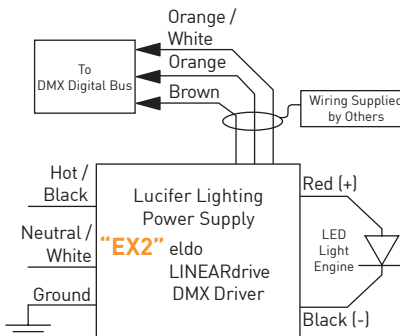
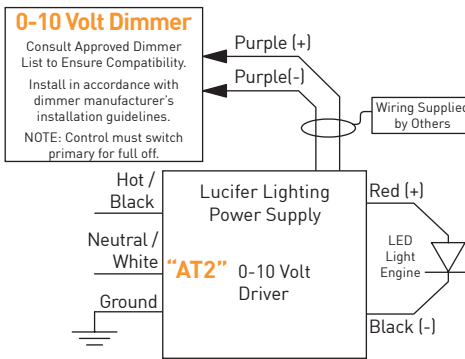
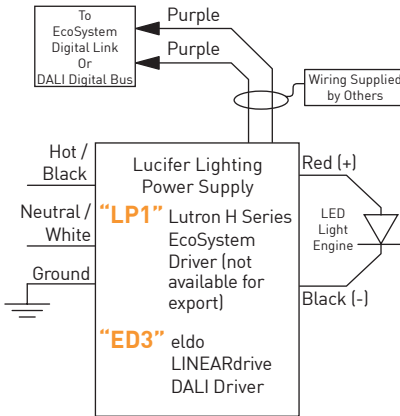
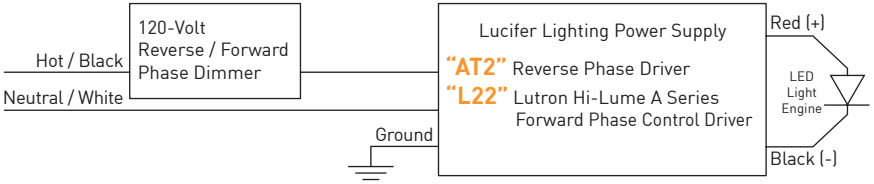


Fig.5

M. DRIVER WIRING DETAIL



LIMITED WARRANTY

LUCIFER LIGHTING COMPANY (Seller) warrants that for a period of one (1) year from date of sale to the first non-retail purchaser, Seller will repair or replace, at the Seller's sole option, free of charge, any defective products purchased from Seller provided that prior authorization is obtained from the Seller and the products are sent prepaid to the Seller's manufacturing facility. Lamps are not warranted or guaranteed in any manner for any length of time, except LED lamp modules and power supplies used in Seller's recessed, surface mount and exterior lighting fixtures, are warranted to operate with 70% lumen maintenance from the date of sale by Seller for five (5) years. LED MR-16 style lamps supplied by Seller are only warranted as provided by their original maker. Please refer to the following limiting conditions.

1. The Citizen, Bridgelux, Xicato, Sharp and Lumenetix LED lamp modules provided by Seller are only suitable for use in ceiling or plenum conditions where the maximum operating temperature of the module does not exceed 90°C (194°F) and/or the ambient temperature does not exceed 40°C (104°F) or lower threshold as featured on Seller's product specification literature.
2. These terms only cover the power supply (if purchased from Seller) and Citizen, Bridgelux, Xicato, Sharp, and Lumenetix LED modules.
3. If installed outdoors, the power supply must always be shielded from direct sunlight. The power supply cannot be installed in areas where liquids may pool.
4. The end user must ensure that the AC input voltage has measures in place to prevent lightning strike surges and that large load shift surges are reduced or eliminated prior to the input of the power supply. Power supplies returned with this type of damage are not covered under Seller's Limited Warranty.
5. Seller reserves the right to physically evaluate the LED module and driver supplied by Seller for compliance with these conditions. An end user's refusal to return such fixture articles shall void Seller's Limited Warranty.
6. The LED module will be considered in working condition and therefore not warrantable if it meets or exceeds 70% of its original flux and remains within a range of 3 div.
7. The color temperature of the Citizen, Bridgelux, Xicato, Sharp and Lumenetix LED module is guaranteed to remain within a range of 3 div for a period of five (5) years from date of sale by Seller.
8. Any tampering or disassembly of the LED module or LED heat-sink assembly without Seller's prior written consent will immediately void the warranty.

Where Seller's fixtures are used in conjunction with drivers/power supplies sourced by others and/or where POE (power over ethernet) systems are present, Seller's warranty will only apply to the Seller supplied lighting fixtures. In all instances where drivers/power supplies and/or POE are by others, the responsibility to confirm the selected power supply(s) conforms to operating parameters of Seller's fixtures shall be the responsibility of others. Approved parameters (involving voltage, current, and power quality for the selected fixtures and outputs) will be provided by Seller upon request, however the parameters should not be considered exhaustive for the purpose of the warranty and represents a good faith effort by Seller to support its customers. All warranty claims are subject to Seller's review and if Seller determines the root cause of the issue involves supplied power supply(s) by others, Seller's warranty shall not be applicable. Further, in such events of supplied power supply(s) by others, Seller makes no guarantee as to fixture operating performance (startup time, flicker, shimmer, pop-on/pop-off, dimming, etc.). In no event shall Seller's obligations under this warranty extend beyond the initial cost of the products and, accordingly, consequential damages arising out of any claimed product defect are expressly excluded. This Warranty does not cover the costs, if any, in re-installation of products serviced under this Warranty. This Warranty does not cover damage or failure caused by acts of God, abuse, misuse, abnormal usage, or use in violation of any applicable standard, code or instructions for use in installations including those contained in the latest National Electrical Code (NEC), the standards for safety of Underwriters Laboratory, Inc. (UL), standards for the American National Standards Institute (ANSI) or, in Canada, the Canadian Standards Association (CSA), or, in the European Union, the Conformité Européenne (CE Marking), faulty installation, or any repairs or modifications other than those made by the Seller. This Warranty does not cover damage or failure caused by abnormal spikes in power, dirty power, and light fixtures used with power supplies or other products not supplied by Seller, nor shall it apply to defects for which written notice thereof is not received by Seller.

In the event that any of the terms of this Warranty are in conflict with any rule of law or statutory provision or otherwise unenforceable under the laws or regulations of any government or subdivision thereof, such terms shall be deemed stricken from this Warranty, but such invalidity or unenforceability shall not invalidate any of the other terms of this Warranty and this Warranty shall continue in force.

EXCEPT AS TO SELLER'S WARRANTY OF REPAIR OR REPLACEMENT SET FORTH ABOVE, THERE ARE NO UNDERSTANDINGS, AGREEMENTS, REPRESENTATIONS, OR WARRANTIES, EXPRESS OR IMPLIED (INCLUDING ANY REGARDING THE MERCHANTABILITY OR FITNESS FOR A PARTICULAR PURPOSE, AND NON-INFRINGEMENT, AND ANY WARRANTIES ARISING FROM A COURSE OF DEALING, USAGE, OR TRADE PRACTICE), RESPECTING LUCIFER LIGHTING COMPANY PRODUCTS. THIS WARRANTY IS THE PURCHASER'S SOLE AND EXCLUSIVE REMEDY AGAINST THE SELLER FOR THE REPAIR OR REPLACEMENT AT SELLER'S OPTION OF DEFECTIVE LUCIFER LIGHTING PRODUCTS. UNDER NO CIRCUMSTANCES SHALL SELLER BE LIABLE FOR ANY LOSS OR DAMAGE, DIRECT OR CONSEQUENTIAL, ARISING OUT OF THE USE OF, OR INABILITY TO USE, THE PRODUCTS SOLD HEREUNDER.

For service under this warranty, please provide the original date of sale and nature of difficulty being experienced. All service matters should be directed to:

LUCIFER
LIGHTING COMPANY

3750 IH 35 North
San Antonio, Texas 78219 USA
[PH] +1 210 227 7329
[FAX] +1 210 227 4967
www.luciferlighting.com

©2019 Lucifer Lighting Company
As part of its policy of continuous research and product development, the Company reserves the right to change or withdraw specifications without prior notice.

[061419]