

# AC STEALTH® STEPLIGHT

## SSL-ALED RECESSED LUMINAIRE

### INSTALLATION

Before beginning any AC Stealth® installation, disconnect electrical power at a main switch or circuit breaker.

#### IMPORTANT SAFETY INSTRUCTIONS

1. Read Installation Instructions completely.
2. Disconnect electrical power at main switch or circuit breaker.
3. Ensure a qualified electrician will perform all electrical procedures.
4. Contact Lucifer Lighting Company with any questions or concerns.

#### PRECAUTIONS

Care must be taken to protect the AC Stealth LED supply wires from damage during installation.

#### DESCRIPTION

The AC Stealth LED is a Class II luminaire that utilizes a light emitting diode. It must be installed in accordance with these installation instructions and all applicable electrical codes.

#### CONTENTS OF KIT (per order)

- 1 to 6 AC Stealth LED fittings
- 15' (4572mm) LED supply wire (per fitting)
- Mounting Plate or Back Box Assembly (optional)
- Power Supply

#### REMOTE POWER SUPPLIES

The Lucifer Lighting Company dimmable hardwire PSA-60-12H includes a conventional Class II 120V primary, 12V secondary, 75W electronic transformer and is capable of powering up to 18 fittings with integral terminal block. The plug-in PSA-60-12P is a Class II 120V primary, 12V secondary, 60W electronic transformer and is capable of powering up to 18 fittings when used in conjunction with Model PSA-DB distribution box. *For export markets use equivalent power supply; nominal 12VAC, zero load, min 5W*

#### POWERED BACK BOX

Model SSL-BBTA powered back box includes an integral dimmable Class II 120V primary, 12V secondary, 75W conventional electronic transformer.

#### TYPICAL FITTING SPACING\*

Locate the centerline of AC Stealth LED 18" (457mm) above the floor or finished grade. Intended Center to center spacing is 36" (915mm) or less.

Note: These are nominal spacings. Final dimensions will be determined by the specifier.

**LUCIFER**  
LIGHTING COMPANY  
3750 IH 35 North  
San Antonio, TX 78219  
[PH] +1 210 227 7329  
[FAX] +1 210 227 4967  
www.luciferlighting.com

#### READ THE FOLLOWING NOTES before beginning any AC Stealth Installation:

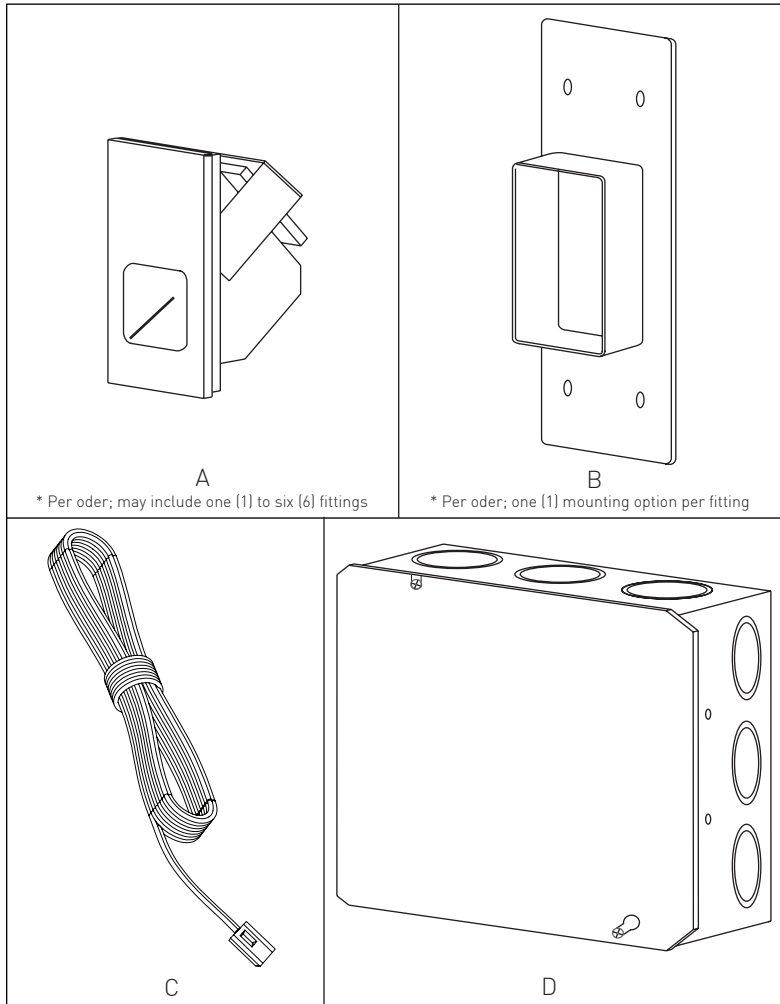
- AC Stealth LED is designed as a system and must be installed in accordance with these instructions, using Lucifer Lighting Company specified components only.
- The desired locations for the AC Stealth LED fittings, the power supply locations, and the length of the LED supply lead wires determines the number of fittings per power supply in a given installation.
- Power supplies are intended for use on a properly fused 100-265 VAC 50/60 Hz supply circuit.
- Power supplies should be located in a readily accessible location not more than 40' (12.2m) from the farthest AC Stealth LED fitting.
- When choosing a power supply location, factor the total distance that the LED supply wire must travel to reach the AC Stealth LED fitting. Wire routes are rarely a straight line.
- Each AC Stealth LED fitting is supplied with a factory installed LED supply lead wire 15' (4572mm) in length.
- The factory supplied lead wire may be cut or lengthened to no more than 40' if necessary. However undesirable variations in light output may result if the leads to all of the AC Stealth LED fittings are of not of a uniform length.
- A maximum of 18 AC Stealth LED fittings may be powered from one Model PSA-60-12H, PSA-60-12P when used in conjunction with Mode PSA-DB distribution box, may power a maximum of 18 AC Stealth LED fittings.
- Failure to follow the Installation Instructions could result in an unsafe installation and void the Lucifer Lighting Company Warranty.

©2009 Lucifer Lighting Company  
As part of its policy of continuous research and product development, the Company reserves the right to change or withdraw specifications without prior notice.

## PARTS IDENTIFICATION

PART ID	DESCRIPTION	QTY*
A	AC Stealth LED Fitting	1
B	Mounting Option (SSL-MP shown)	1 (optional)
C	15' (4572mm) LED Supply Wire	1
D	Power Supply (PSA-60-12H shown)	1

\*Quantities may vary per order



## STEP 1

Inventory the contents of the kit.

## STEP 2

Disconnect electrical power.

## STEP 3

**Note:** Because the AC Stealth LED system is Class II, a back box is not mandatory. Check local codes. AC Stealth LED fitting may be mounted directly into finished wall surface or by utilizing the mounting plate or a back box. Determine the fixture position. Refer to templates in these Installation Instructions for hole cut out dimensions depending on mounting option chosen. Add appropriate blocking to the wall structure to provide a sturdy support for the fitting mounting option.

## STEP 4

If utilizing a mounting plate or back box, attach it to the wall structure or added blocking with the short side down (or per orientation shown on page 10 of these installation instructions).

## STEP 5

Ensure the face of the mounting option plaster flange will be flush with the finished wall surface. **Note:** It may be necessary to chamfer the inside perimeter of wall cut out in order to clear radius on faceplate if wall is more than .5" (13mm) thick.

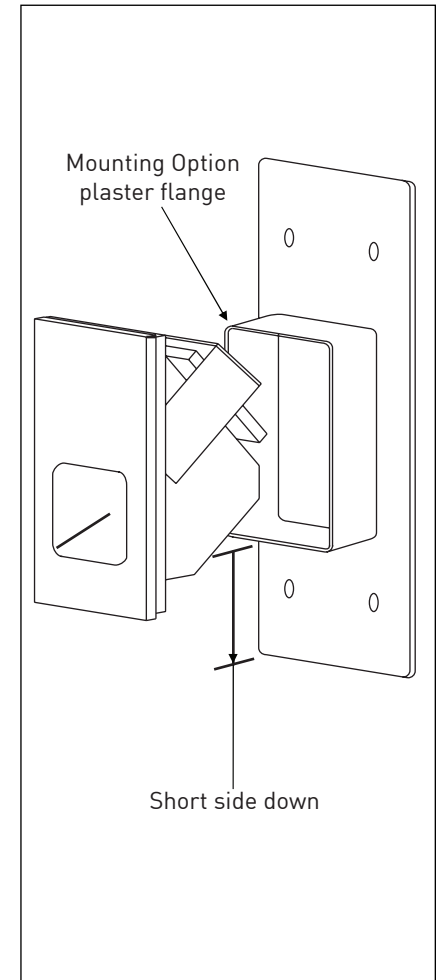


Figure 1 - Face of the Mounting Option

(See page 9 for mounting option plaster flange hole cut out dimensions.)

**Note:** Improper positioning of the fitting mounting option relative to the finished wall surface could result in an inability to install the Impact LED fitting.

### STEP 6

Securely mount the power supply in a readily accessible location.

### STEP 7

Primary wiring:

Route the primary supply wires to the appropriate power supply.

**PSA-60-12H:** Connect white to white, black to black, and green to the grounding stud or green grounding wire of the power supply.

**PSA-60-12P:** Plug power supply into appropriate power outlet.

### STEP 8

Secondary wiring:

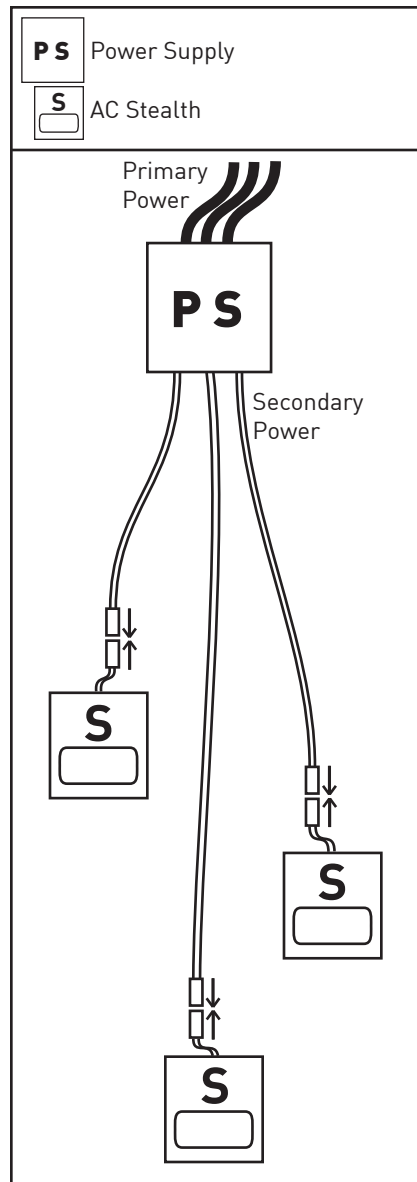
**PSA-60-12H or PSA-DB:** Connect up to 18 fittings by securing LED supply lead wire(s) into terminal block and turning terminal block set screws clockwise to tighten.

**PSA-60-12P:** LED supply lead wire is factory installed.

### STEP 9

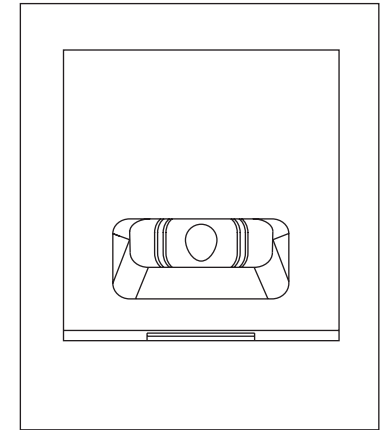
If fitting is to be used in a wet location, install supplied foam gasket against the backside perimeter of Impact LED fitting. Route LED supply lead wire(s) to Impact fitting(s) and connect the factory wired plugs.

**Note:** For details on lengthening or shortening of factory supplied LED supply wire(s), see page 2 of these Installation Instructions.



### STEP 10

Position the fitting in front of the mounting opening with the aperture facing away from the wall and down.

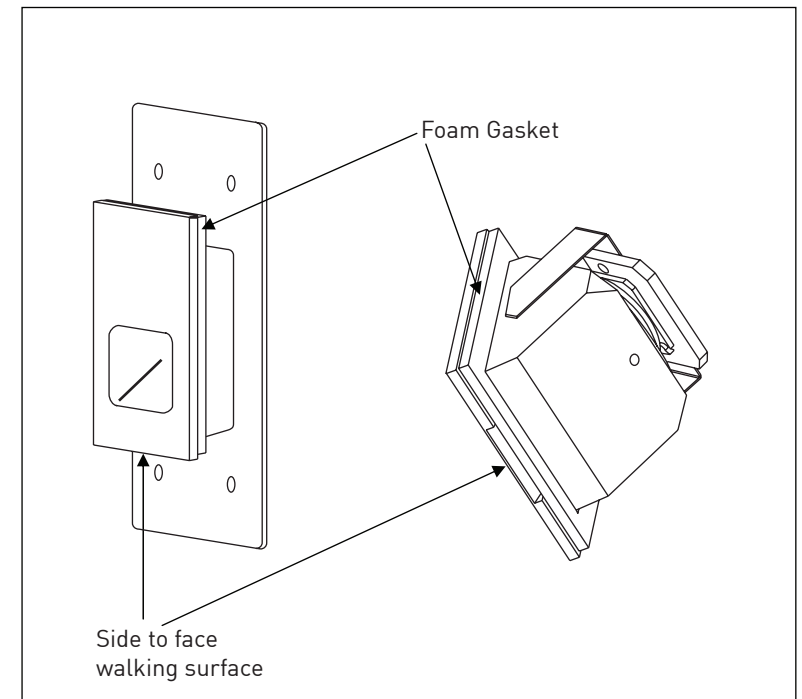


### STEP 11

Insert AC Stealth LED into the mounting opening ensuring the LED supply wire is not pinched or otherwise damaged as the fitting is installed.

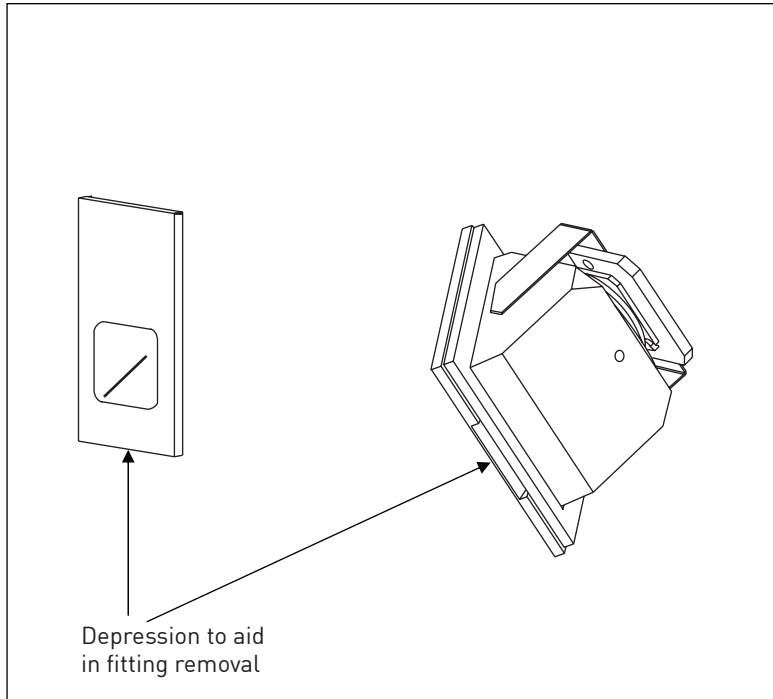
### STEP 12

AC Stealth LED installation is complete. Energize the line voltage supply circuit.

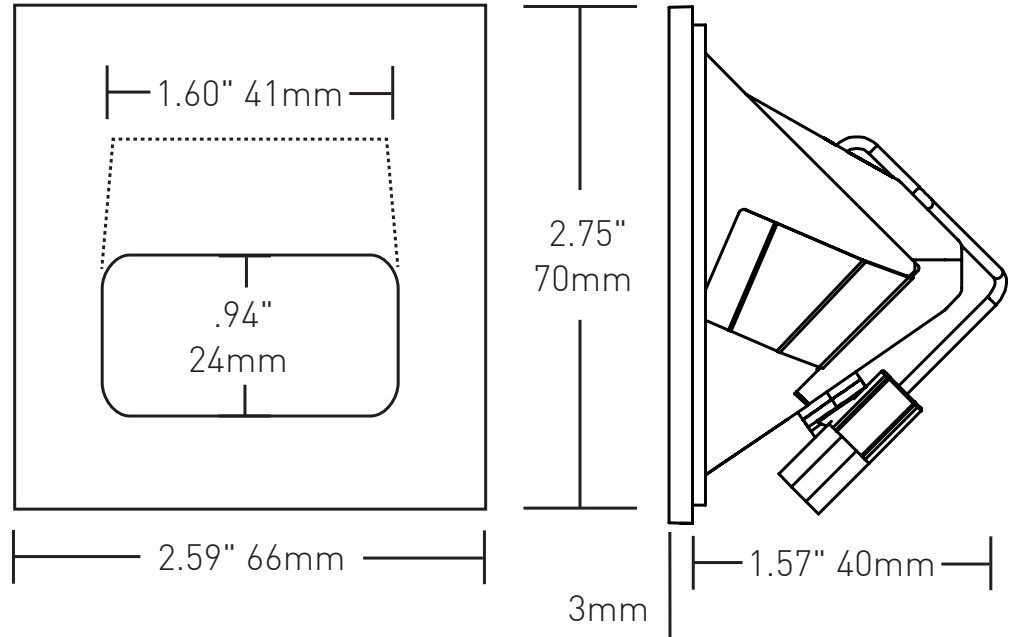


## FITTING REMOVAL

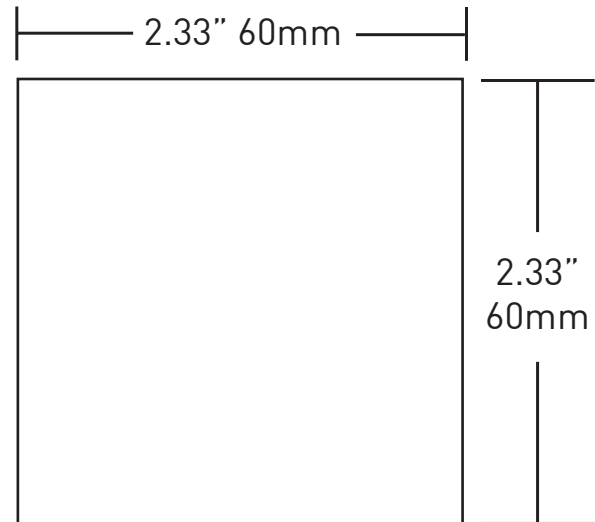
Fitting removal may be accomplished by pulling firmly outward from the mounting surface. A small depression is provided on the lower backside of the fitting face (directly below the aperture) to aid in leveraging the fitting if necessary. Insert a flat blade screwdriver gently between the wall and lower fitting flange to engage the depression.



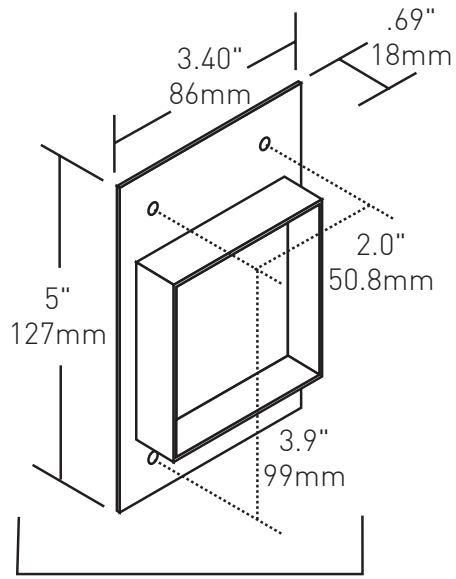
## DIMENSIONS AND TEMPLATES



## HOLE CUT OUT FOR MOUNTING AC STEALTH WITHOUT MOUNTING PLATE OR BACK BOX

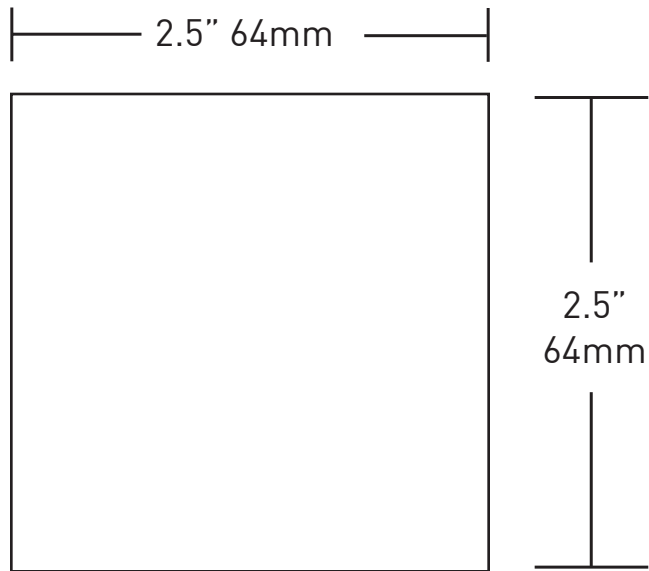


**DIMENSIONS AND TEMPLATES**

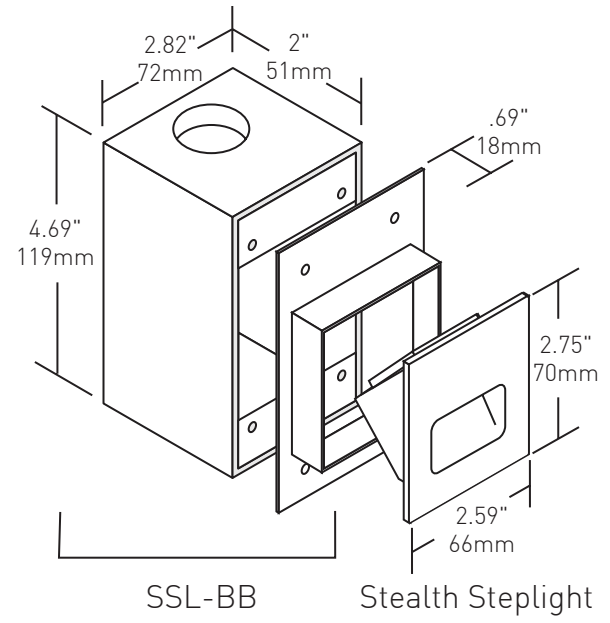


MOUNTING PLATE

**HOLE CUT OUT FOR MOUNTING OPTION  
PLASTER FLANGE (SSL-MP, SSL-BB, SSL-BBTA)**

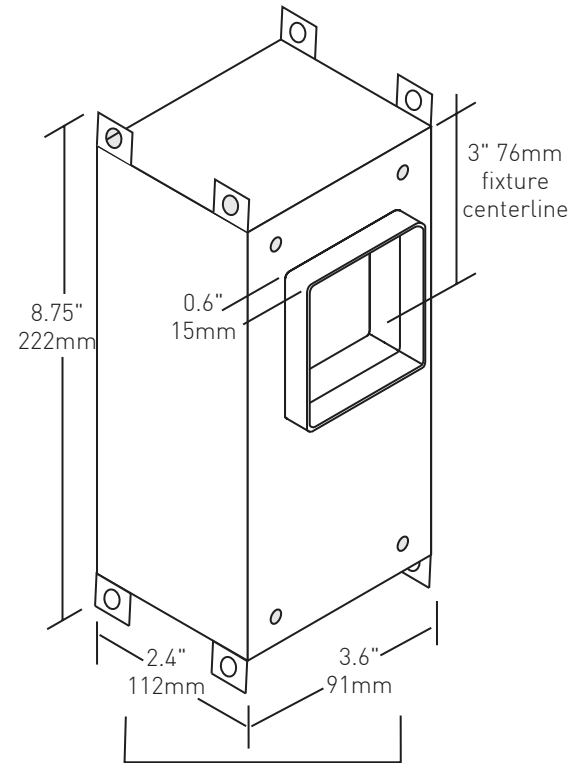


9



SSL-BB

Stealth Steplight



SSL-BBTA  
10