



### DESCRIPTION

#### A General

Small scale LED fitting with visible fasteners; suitable for dry or wet, interior or exterior applications

#### B Special Features

Machined aluminum body; dimmable 3W AC LED (dimming by power supply); LED module is replaceable

#### C Effects Devices

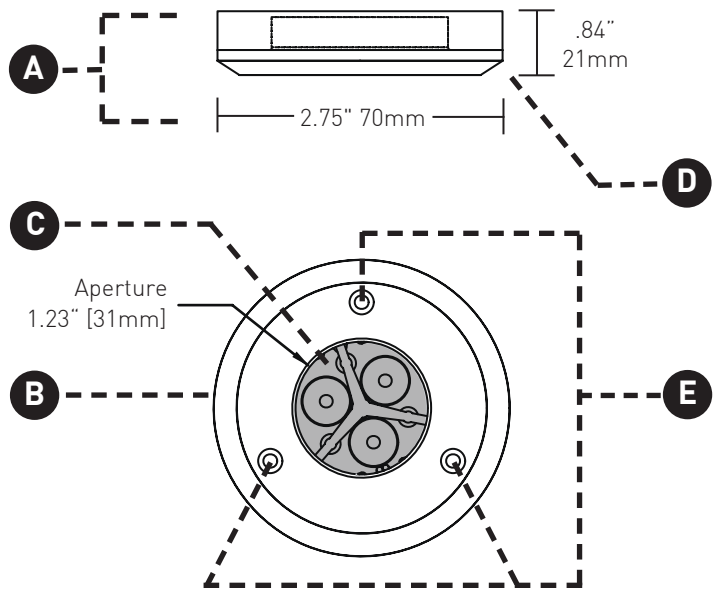
Standard with 20° spot proprietary lens (NSL-5) and soft focus lens (SFL-5); note on specification if either is not required; may accept one effects device in place of soft focus lens; consult factory for availability of colored gels and flood and wide flood configurations

#### D Mounting

Surface mount; thickness over mounting plane is .84" (21mm)

#### E Retention

Countersunk visible mounting screws included; screws require minimum panel depth of .5" (13mm)



### TECHNICAL

#### CONSTRUCTION

Fitting: Machined aluminum

#### ELECTRICAL

Fixture is pre-wired with 18 AWG 10' (3m) lead. The system requires a proprietary remote driver assembly (PSA-60-12H dimmable power supply with hardwire transformer or PSA-60-12P plug-in transformer (must meet transformer's minimum wattage requirement), each order separately). Maximum recommended run length is 30' (9.1m) with 18 AWG wire (consult factory for custom lengths). Each power supply is capable of powering up to 18 luminaires. See page 2 for AC power supplies.

#### LED

The standard 3W AC LED is available in color temperatures of 3200 °K (15.2 lm/watt) and 4700 °K. Average rated lamp life of 50,000+ hours.

#### LISTING

ETL listed for dry/damp locations; CE marked; IP10 rated

#### WARRANTY

Manufacturer's one year warranty guarantees product(s) listed to be free from defects in material workmanship under normal use and service. Warranty is conditional upon use of manufacturer supplied transformer or ballast.

### ORDERING INFORMATION (fitting)

Example: LPKF-ALED-SM-3K-A

<b>SERIES</b>	<b>COLOR TEMP</b>	<b>FINISH</b>	<b>ALTERNATE EFFECTS DEVICE</b>
LPKF-ALED-SM PukLED with visible fasteners for surface mount	3K 3200 °K 5K 4700 °K	A Clear Anodized Aluminum W White Powdercoat B Black Anodized Aluminum	<input type="checkbox"/> WTL-5 Warm Tone Lens <input type="checkbox"/> CGL-5 Clear Glass Lens <input type="checkbox"/> SGL-5 Spread Glass Lens <input type="checkbox"/> FGL-5 Frosted Glass Lens <input type="checkbox"/> LSL-5 Linear Spread Lens <input type="checkbox"/> HCL-5 Honeycomb Louver

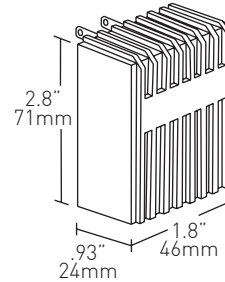


**DESCRIPTION**

**PSA-60-12P**

Power supply for plug-in applications, Class II 120V primary, 12V secondary, 60W capacity electronic transformer (non dimmable).

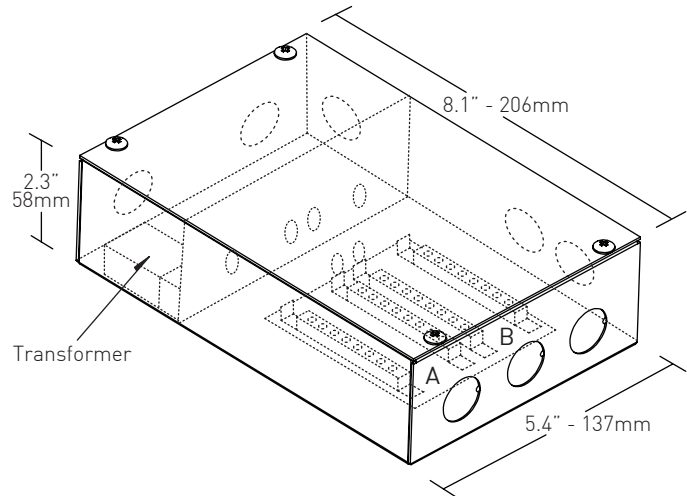
**PSA-60-12P**



**PSA-60-12H**

Dimmable power supply for hardwire applications. Consists of a steel compartment with integral conventional Class II 120V primary, 12V secondary, 60W capacity electronic transformer and integral terminal block. 18 luminaires may be wired to any one power supply, with a maximum of 9 per channel (A or B), in either a home run or parallel method.

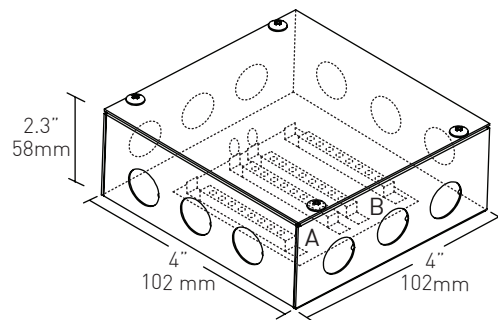
**PSA-60-12H**



**PSA-DB**

Non-powered distribution box recommended for power management if plug-in power supply is chosen. Steel compartment includes integral terminal block. 18 luminaires may be wired to any one power supply, with a maximum of 9 per channel (A or B), in either a home run or parallel method.

**PSA-DB**



**ORDERING INFORMATION (power supply)**

--

**POWER SUPPLY OPTION**

- PSA-60-12P** Plug-in transformer (non dimmable)
- PSA-60-12H** Dimmable power supply with hardwire transformer
- PSA-DB** Distribution box for use with plug-in transformer