



# FLS-3

FUSION™ CLOSET ROD  
WARDROBE FITTING

FLS-3

## DESCRIPTION

### A General

LED illuminated closet rod

### B Special Features

Extruded aluminum body available in lengths up to 60" (1524mm); double array of solid state LEDs; polycarbonate lens; no UV or IR radiation; cool to the touch

### C Mounting

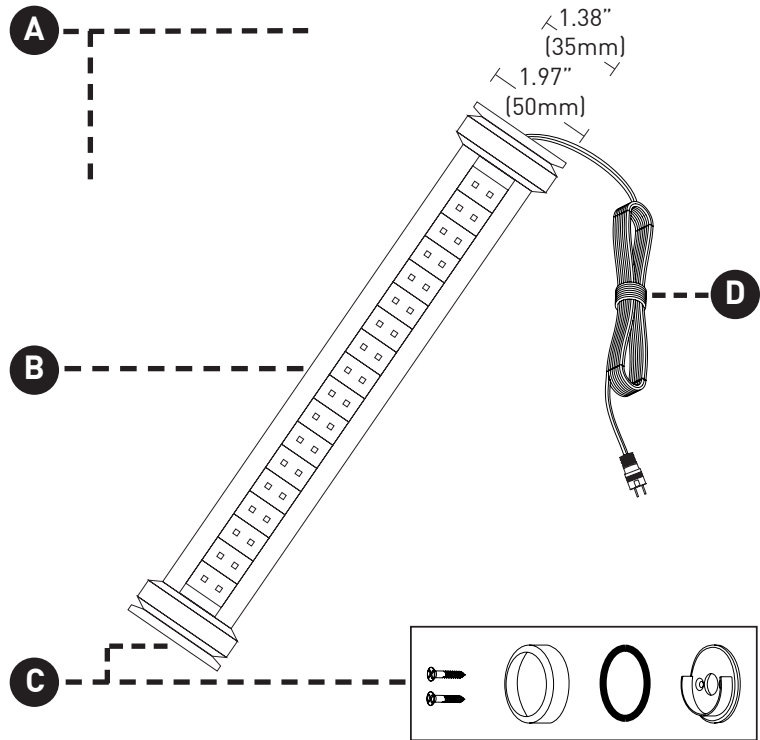
Fitting secures to machined aluminum wall mounts and optional center support bracket; wall mount hardware provided

### D Plug / Connector

Supplied with 72" (1829mm) LED supply wire

### Capacity

Maximum load is 33 lbs. (15kg) per linear foot; center support bracket model FLA-CSI required for installations over 36" (914mm) in length to achieve maximum load capacity



## TECHNICAL

### CONSTRUCTION

Rod Housing/ Wall Mounts: Aluminum

Lens: Polycarbonate

LED strip: Epoxy matrix circuit board

### ELECTRICAL

3W per foot (305mm); see page 2 for DC power supplies.

### LED

Available in warm or cool color temperatures. Average rated lamp life of 50,000+ hours.

### LISTING

ETL listed for dry/damp locations; CE marked

### WARRANTY

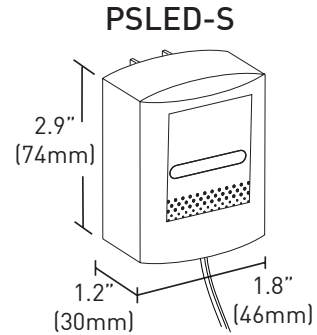
Manufacturer's one year warranty guarantees product(s) listed to be free from defects in material workmanship under normal use and service. Warranty is conditional upon use of manufacturer supplied transformer or ballast.

## ORDERING INFORMATION (fitting)

| Example: FLS-3-024-P-W-F |                                                                                                   |                                                                                                                                                  |                                |                                    |                                                                                          |  |
|--------------------------|---------------------------------------------------------------------------------------------------|--------------------------------------------------------------------------------------------------------------------------------------------------|--------------------------------|------------------------------------|------------------------------------------------------------------------------------------|--|
| SERIES                   | LENGTH                                                                                            | FINISH                                                                                                                                           | COLOR TEMP.                    | LENS                               | ACCESSORIES                                                                              |  |
| FLS-3 Closet Rod         | <i>in inches*</i><br><i>* Custom cut-to length provided by specifier; max length 60" (1524mm)</i> | <b>P</b> Polished Aluminum (chrome appearance)<br><b>A</b> Clear Anodized Aluminum<br><b>B</b> Black Anodized Aluminum<br><b>C</b> Chrome Plated | <b>W</b> Warm<br><b>C</b> Cool | <b>C</b> Clear<br><b>F</b> Frosted | <b>FLA-CSI</b> Center Support Bracket<br><i>Required for lengths 36" (914mm) or more</i> |  |

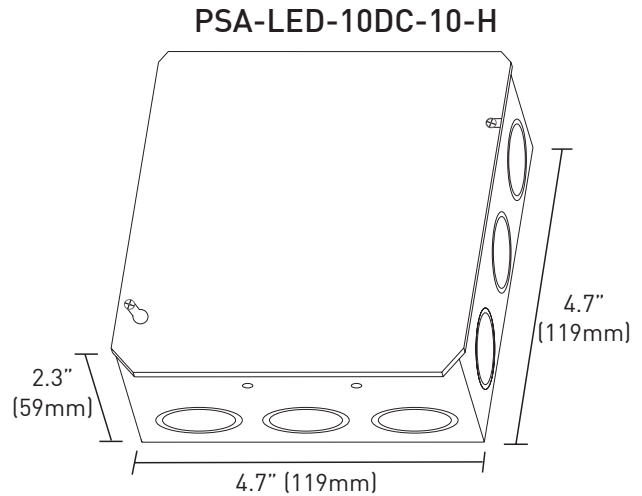
**PSLED-S**

Power supply for plug-in applications, Class II 120V primary, 10V secondary, 1500mA capacity electronic transformer. For FLS-3 lengths of less than 28" (711mm).



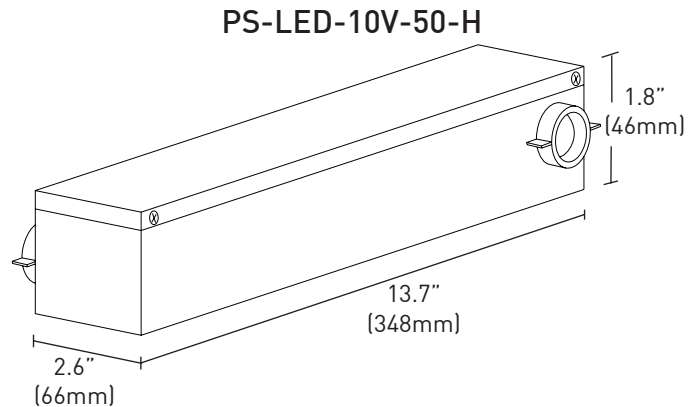
**PSA-LED-10DC-10-H**

Power supply for hardwire applications. Consists of a steel compartment with integral conventional Class II 120V primary, 10V secondary, 1000mA capacity electronic transformer. For FLS-3 lengths of less than 28" (711mm).



**PS-LED-10V-50-H**

Power supply for hardwire applications. Consists of a steel compartment with integral conventional Class II 120V primary, 10V secondary, 50W capacity electronic transformer. For FLS-3 lengths up to 60" (1524mm) per circuit. May power multiple fittings up to an aggregate total run length of 180" (4572mm).



**ORDERING INFORMATION (power supply)**

POWER SUPPLY OPTION

- PSLED-S** Plug-in power supply for lengths 28" (711mm) or less
- PSA-LED-10DC-10-H** Hardwire power supply for lengths 28" (711mm) or less
- PS-LED-10V-50-H** Hardwire power supply for lengths up to 60" (1524mm), or multiple fittings with an aggregate total run length of 180" (4572mm)