



ATF-35

ADJUSTABLE SPOTLIGHT
MACH 1

ATF-35

DESCRIPTION

A Aiming

3 axes of adjustment; 360° self-locking pan; tilt up to 90° from vertical locks via thumbscrew; lampholder may be rotated and locked in any position via thumbscrew for precise lens/ accessory positioning

B Special Features

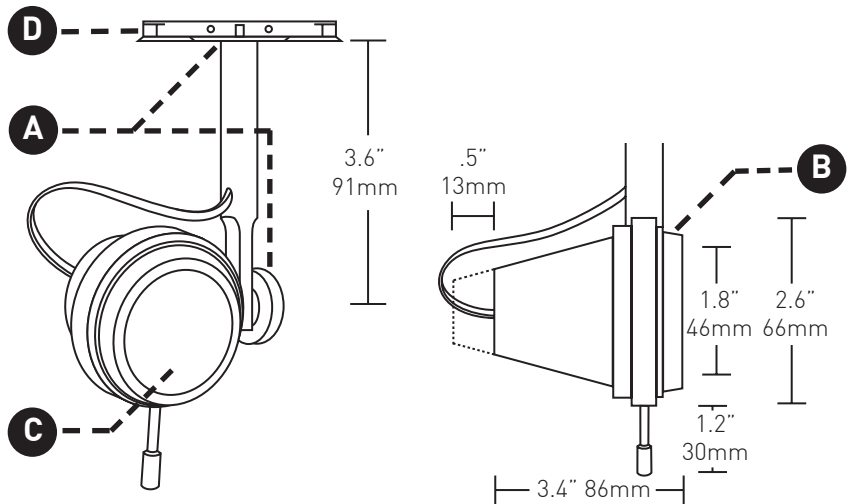
Machined aluminum lampholder; open face; optional AMEC end cap minimizes backlight (37W only)

C Effects Devices

Frosted glass lens included; internal coil-spring accomodates multiple effects devices (see chart below for total per light source)

D Retention

Installs into powered track at any point, secured by mounting clips; suitable for vertical or horizontal position



TECHNICAL

CONSTRUCTION

Spot: Machined aluminum; painted finishes are granulated powdercoat

Track: Extruded aluminum with integral conductors; molded end-connectors and suspension adapters are component plastic

ELECTRICAL

Track is energized by remote transformer (sized to load) and clip-on power feed inserted at any point along track's length, rated at 25 amps, 300W max per 12V circuit. (Track, track accessories and transformers ordered separately.)

LAMP

MR-16 style lamp options: 12V halogen (HAL) 50W max, light emitting diode (LED).

To ensure optimal results, it is recommended to specify lamps supplied by Lucifer Lighting.

LISTING

ETL listed for dry/damp locations when used with track.

WARRANTY

Manufacturer's one year warranty guarantees product(s) listed to be free from defects in material workmanship under normal use and service. Warranty is conditional upon use of manufacturer supplied transformer or ballast.

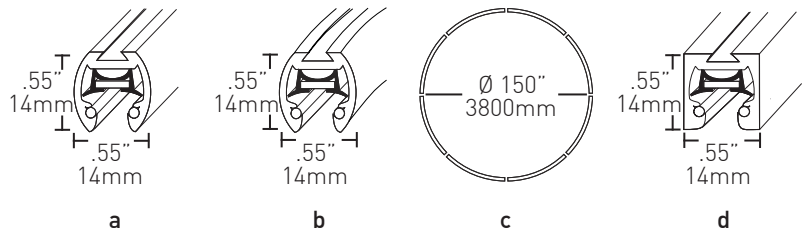
ORDERING INFORMATION (downlight)

Example: ATF-35-A-HAL			Example: 12-37-HRIR-MF		
ATF-35					*
SERIES	FINISH	LIGHT SOURCE	EFFECTS DEVICES	LAMP	
ATF-35	A Aluminum W Matte White B Matte Black	HAL Halogen LED Light Emitting Diode	<input type="checkbox"/> FGL-2 Frosted Glass Lens (standard) <input type="checkbox"/> CGL-2 Clear Glass Lens <input type="checkbox"/> UVL-2 Ultra Violet Lens <input type="checkbox"/> SGL-2 Spread Lens <input type="checkbox"/> LSL-2 Linear Spread Lens <input type="checkbox"/> SFL-2 Soft Focus Lens <input type="checkbox"/> HCL-2 Honeycomb Louver <input type="checkbox"/> WTL-2 Warm Tone Lens <input type="checkbox"/> AMEC End Cap		*Optional
				Light Source	
				HAL	LED
				Total Effects Devices	3 3*
					* 2 when AMEC end cap is used

TRACK OPTIONS

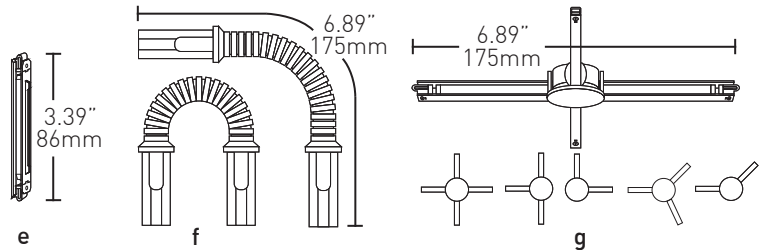
TRACK

Oval straight track (a) available in 48" (1219mm) and 96" (2438mm). Oval curved track (b) available in 60" (1524mm) length. A complete circle (c) may be accomplished with 8 curved track segments for a total diameter of 150" (3800mm). Square straight track (d) available in 72" (1829mm). Track may be field cut to desired length. See below for available finishes.



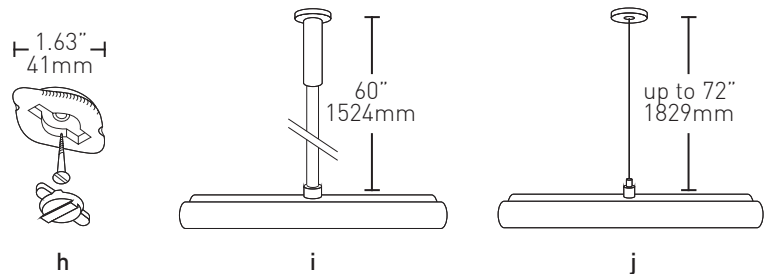
COUPLERS/ ADAPTERS

Live or isolated couplers allow interconnection of multiple track segments. Available in rigid (e) for continuing straight track runs or flexible (f) for continuing track runs around bends. XLT isolated coupler (g) is configurable to centrally connect up to 4 track segments. Available finishes are black or white.



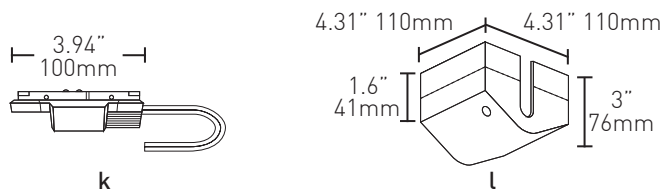
MOUNTING/ SUSPENSION

Track may be directly mounted to a ceiling, wall or shelf with suspension adapter ASA-10 (h). Track may also be pendant mounted with fixed 60" (1524mm) length rod suspension (i) or up to 72" (1829mm) adjustable length cable wire suspension (j). Pendant mounts must be installed every 30" (762mm) along track for proper support. Available finishes are black or white.



TRANSFORMER/ POWERFEED

Power is supplied by remote transformer (sized to load) and transmitted to track via powerfeed (k) which may be installed at any point along track. Optional cover (l) conceals wiring connections. Available finishes are black or white.



ORDERING INFORMATION (track options/ lamps)

TRACK OPTIONS	FINISH	LAMPS

- AST-48*** Oval straight track 48" (1219mm)
- AST-96*** Oval straight track 96" (2438mm)
- ACU-60** Oval curved track 60" (1524mm)
- ASTS-72** Square straight track 72" (1829mm)
- ACA** Cantilever (pair)
- ACT-10** Live rigid power coupler
- ACT-15** Isolated rigid coupler
- ACT-20** Live flexible power coupler
- ACT-25** Isolated flexible power coupler
- ACT-35** XLT isolated coupler
- ASA-10** Direct suspension mount
- ARS** Rod suspension
- AWS** Cable wire suspension
- APK-10** Powerfeed kit

- W** White
- B** Black
- *Also available in Silver (**S**)

Consult factory for lamp availability