

CYLINDER 2

SUSPENDED MOUNT

PROJECT NAME:	TYPE:
---------------	-------



Highlight art, objects, places, spaces, seating areas, and architectural details with a classic profile that offers easy-to-adjust, in-field versatility.

ORDERING INFORMATION - CYLINDER



Quick Ship Product. All rough in components ship within 10 days up to quantities of 100.



JA8-2019 COMPLIANCE INDICATED BY SHADING

CYLINDER	LENGTH	FIXTURE	RATING	CYLINDER FINISH	BAFFLE FINISH	LUMEN PACKAGE	CCT	OPTIC	DRIVER	EFFECTS DEVICE	MOUNTING		
			1										
Dropkit STEM ASSEMBLY CD2 3.13"	043 2" - 43"	AD Standard 70° 9D Max 90° Tilt* <small>*(Increased lead time)</small> AS Standard 70° Shallow Canopy* <small>*(Remote driver only; increased lead time)</small> 9S Max 90° Tilt Shallow Canopy* <small>*(Remote driver only; increased lead time)</small> AW Adjustable Wallwash 70° FB Fixed Body	1 Dry/Damp	WH White BK Black AB Architectural Bronze* <small>*(Increased lead time)</small> AG Satin Silver* <small>*(Increased lead time)</small> CF Custom Finish* <small>*(Consult Factory)</small>	ALL ADJUSTABLE FIXTURES BK Black CD2-FB ONLY WH White BK Black AB Architectural Bronze* <small>*(Increased lead time)</small> AG Satin Silver* <small>*(Increased lead time)</small> CF Custom Finish* <small>*(Consult Factory)</small>	STATIC WHITE 80C12A 80+ CRI, 1200 Source Lumens (Delivered Lumens - 727) 80C19A 80+ CRI, 1900 Source Lumens (Delivered Lumens - 1121) 80C25A 80+ CRI, 2500 Source Lumens (Delivered Lumens - 1488) 90C10A 90+ CRI, 1000 Source Lumens (Delivered Lumens - 601) 90C15A 90+ CRI, 1500 Source Lumens (Delivered Lumens - 926) 90C20A 90+ CRI, 2000 Source Lumens (Delivered Lumens - 1230) 97C09A 97+ CRI, 900 Source Lumens (Delivered Lumens - 548) 97C14A 97+ CRI, 1400 Source Lumens (Delivered Lumens - 845) 97C19A 97+ CRI, 1900 Source Lumens (Delivered Lumens - 1121)	27 2700K 30 3000K 35 3500K 40 4000K	15 15** <small>*(Not available for Warm Dim)</small> 25 25° 40 40° 60 60° WW Wall-wash* <small>*(Required with AW fixture)</small>	INTEGRAL CA2 120-277V 0-10V Analog CE2 120V Electronic ELV Forward / Reverse Phase REMOTE (120V) TR2 Philips, 2% Leading Trailing / Triac* <small>*(Only available with 80C19A, 90C15A and 97C14A)</small> L23 Lutron, Hi-Lume 1% 2-Wire REMOTE (120-277V) LH1 Lutron, Hi-Lume 1% Ecosystem AN4 Philips Xitanium 1% 0-10V, LOG LN2 Philips Xitanium 1% 0-10V, LIN EA2 eldoLED, SOLOdrive 0.1% 0-10V, LOG LA2 eldoLED, SOLOdrive 0.1% 0-10V, LIN ED1 eldoLED, SOLOdrive 0.1% DALI, LOG LD1 eldoLED, SOLOdrive 0.1% DALI, LIN	0 No Lens* <small>*(Not available for Warm Dim)</small> 2 Honeycomb Louver* <small>*(Not available for Warm Dim)</small> 3 Clear Glass Lens* <small>*(Not available for Warm Dim)</small> 4 Soft Focus Lens 5 Frosted Glass Lens 6 Frosted Soft Focus Lens 7 Frosted Linear Spread Lens W Wallwash Lens* <small>*(Required with AW fixture)</small>	ROUGH-IN JBMP 4" Sq. or 4/0 Junction Box Mounting Plate FINISH OUT SMK3 3/0 Surface Mount Kit SMK4 4/0 Surface Mount Kit CMJB 1/2" and 3/4" Conduit Ceiling Mount Junction Box* <small>*(Not available for MA finish, Quick Ship Product for WH and BK finishes only)</small>		
	086 45" - 86"												
	129 88" - 129"												
	172 131" - 172"												
PENDANT CP2 3.13"	XXXB Black Cable XXXW White Cable Specify cable length in whole inches (Max 180) ex. specify 006B for a 6 inch black cable* <small>*(Cable is field cuttable)</small>	FB Fixed Body	1 Dry/Damp	WH White BK Black AB Architectural Bronze* <small>*(Increased lead time)</small> AG Satin Silver* <small>*(Increased lead time)</small> MA Machined Aluminum CF Custom Finish* <small>*(Consult Factory)</small>	PENDANT FIXTURE BK Black	WARM DIM 90W13A 90+ CRI, 1300 Source Lumens (Delivered Lumens - 888)	WD 3200K - 1800K						



PENDANT NOTES

- CP2 ships as e.g., CP2-1-180-WH-90C20A2-3-RMT-4-W
- Remote driver ships as e.g., PS-RMT-90C20A-1L23
- JBMP ships as CY2/3-JBMP
- CP2 SMK3 ships as CY2/3-SMK-3/0-(finish)
- CP2 SMK4 ships as CY2/3-SMK-4/0-(finish)
- CP2 CMJB ships as CY2-CMJB-(finish)

Dropkit STEM NOTES

- CD2 Adjustable ships as e.g., CY2-AD-1-WH-90C20A2-3-RMT-4
- CD2 Fixed Body ships as e.g., CY2-FB1-WHBK-90C15A2-30CA240
- Remote driver ships as e.g., PS-RMT-90C20A-1L23
- JBMP ships as CD-JBMP
- SMK3 ships as CD-SMK-3/0-(finish)
- SMK4 ships as CD-SMK-4/0-(finish)
- CMJB ships as CD-CMJB-(finish)
- Stem Assembly ships as CY2-DK-(length)-(finish)

CYLINDER 2 SUSPENDED MOUNT

ACCESSORIES

ADJUSTABLE & PENDANT ALTERNATE EFFECTS DEVICES

HCL-CY2-03 Honeycomb Louver *

*(Not available for Warm Dim)

CGL-CY2-03 Clear Glass Lens *

*(Not available for Warm Dim)

SFL-CY2-03 Soft Focus Lens

FGL-CY2-03 Frosted Glass Lens

FSFL-CY2-03 Frosted Soft Focus Lens

FLSL-CY2-03 Frosted Linear Spread Lens

CD2-FB ALTERNATE BAFFLE AND EFFECTS DEVICE

Includes baffle with sealed lens. Must specify baffle finish.

RBA-CY2--HCL** Honeycomb Louver *

*(Not available for Warm Dim)

RBA-CY2--CGL** Clear Glass Lens *

*(Not available for Warm Dim)

RBA-CY2--SFL** Soft Focus Lens

RBA-CY2--FGL** Frosted Glass Lens

RBA-CY2--FSFL** Frosted Soft Focus Lens

RBA-CY2--FLSL** Frosted Linear Spread Lens

** Baffle finish: Specify **WH** for white, **BK** for black, **AG** for satin silver or **AB** for architectural bronze.

CD2-FB REPLACEMENT SUCTION TOOL

Included with each CD2-FB order (1 per 10 fixtures).

CY-SQ-TOOL-SUCTION Baffle assembly removal tool

REPLACEMENT OPTICS

Interchangeable optics accessible by removing snoot or baffle.

RO-70-15-1 15° optic *

*(Not available for Warm Dim)

RO-70-25-1 25° optic

RO-70-40-1 40° optic

RO-70-60-1 60° optic

Dropkit STEM EXTENSION

RPS-DK-EXT--** 2" - 43" Stem Extension

** Stem finish: Specify **WH** for white, **BK** for black, **AG** for satin silver or **AB** for architectural bronze.

EMERGENCY LIGHTING - REMOTE MOUNT ONLY

EMB-S-20/25-120/277-LEDX 20/25 watt max capacity, 120 or 277 VAC 60Hz

EMB-S-100-120-LEDX 100 watt max capacity, 120 VAC 60Hz

EMB-S-100-277-LEDX 100 watt max capacity, 277 VAC 60Hz

EMB-S-250-120/277-LEDX 250 watt max capacity, 120 or 277 VAC 60Hz

During disruption of main power, emergency battery inverter provides temporary 120V or 277V to fixture.

CYLINDER 2 SUSPENDED MOUNT

STATIC WHITE PERFORMANCE - 3000K - SOFT FOCUS LENS

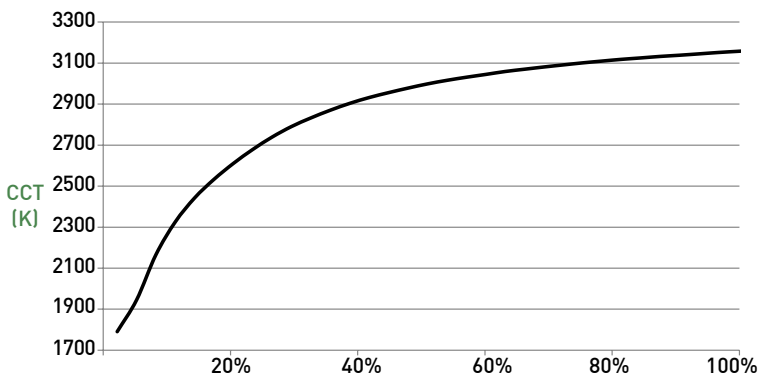
LUMEN PACKAGE	WATTAGE	15° OPTIC		25° OPTIC		40° OPTIC		60° OPTIC		WW OPTIC	
		DELIVERED	LPW	DELIVERED	LPW	DELIVERED	LPW	DELIVERED	LPW	DELIVERED	LPW
80C12A	10	872	87	848	85	727	73	775	78	557	56
80C19A	17	1345	80	1308	78	1121	67	1196	71	859	51
80C25A	24	1786	75	1736	73	1488	62	1587	67	1141	48
90C10A	10	721	72	701	70	601	60	641	64	460	46
90C15A	17	1112	66	1081	65	926	55	988	59	710	42
90C20A	24	1476	62	1435	60	1230	52	1312	55	943	40
97C09A	10	657	66	639	64	548	55	584	58	420	42
97C14A	17	1014	61	986	59	845	50	901	54	648	39
97C19A	24	1346	56	1308	55	1121	47	1196	50	860	36
90W13A	16	-	-	961	60	889	56	922	58	685	42

OUTPUT MULTIPLIER			
CCT	80+ CRI	90+ CRI	97+ CRI
2700K	1.158	0.957	0.873
3000K	1.211	1.000	0.912
3500K	1.234	1.019	0.927
4000K	1.249	1.030	0.940

LIGHT LOSS FACTOR	
No Lens	1.05
CGL	1.05
SFL	1.00
FGL	0.90
FSFL	0.87
FLSL	0.83
HCL	0.65

WARM DIM PERFORMANCE

DETAILED PERFORMANCE	Full on 100%	Dimmed to 80%	Dimmed to 70%	Dimmed to 50%	Dimmed to 20%	Dimmed to 10%	Dimmed to 2%
CCT (K)	3200	3150	3100	3000	2700	2200	1800
Light Output (Lm)	1300	1050	900	630	250	115	25
Power (W)	14	11	10	7	3	1.5	0.3
Efficacy (LPW)	92	93	90	90	83	76	74



CYLINDER 2 SUSPENDED MOUNT

Dropkit STEM ASSEMBLY

DIMENSIONS / DRAWINGS

A LUMINAIRE
Body with integrated heat sink and LED. Conceals hidden twist-on mounting hardware. Power supply may be integral or remote mount.

B STANDARD CANOPY
Die-cast canopy accommodates flat and slope ceiling conditions. Conceals hidden twist-on mounting hardware. "AD" (70° tilt) and "9D" (90° tilt) canopy features 1.60" (41mm) tall canopy. Available with integral or remote driver.

C SHALLOW CANOPY
Die-cast canopy accommodates flat and slope ceiling conditions. Conceals hidden twist-on mounting hardware. "AS" (70° tilt) and "9S" (90° tilt) canopy features 0.50" (13mm) tall canopy, reducing overall height. Requires remote power supply.

D STANDARD OPTICS
Proprietary field-changeable optics available in 15°, 25°, 40° & 60° beams.

WALLWASH OPTIC

Precision tuned kick reflector and optic provides uniform wallwashing effect.

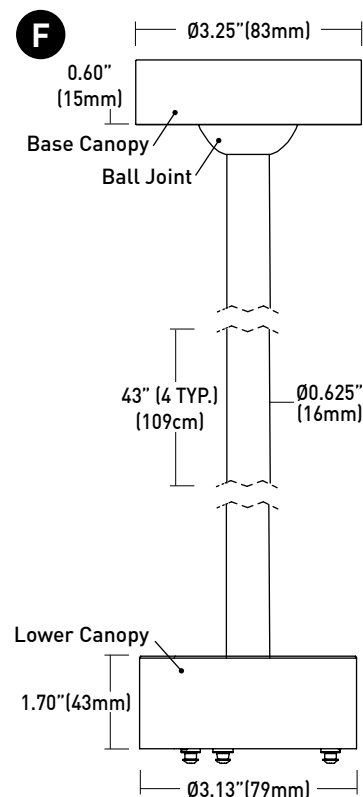
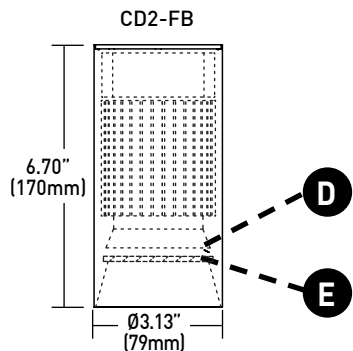
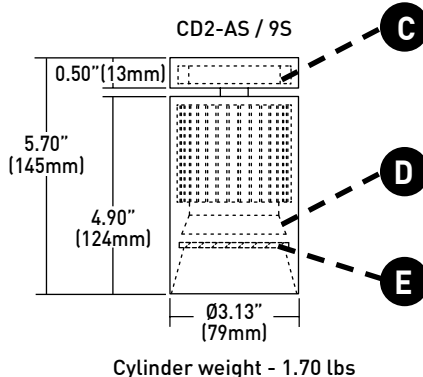
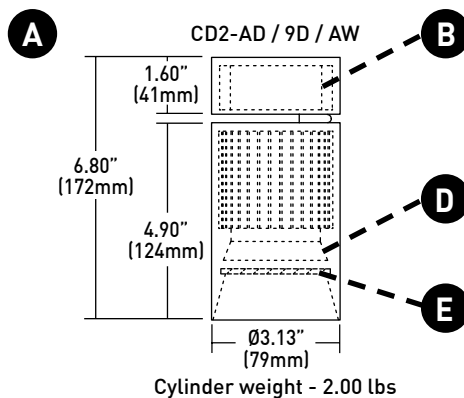
E ADJUSTABLE EFFECTS DEVICE
Threaded removable cowling provides virtually seamless joint with fixture body and accepts 1 lens; soft focus lens standard. Wallwash fixture is fitted with a wallwash lens.

FIXED BODY EFFECTS DEVICE

Cylinder baffle assembly can accept 1 lens; soft focus lens standard and sealed in place. Suction tool provided for removal of baffle lens assembly.

F Dropkit

- Field cuttable rigid stem for suspending fixture at desired height. Provides stable base to allow preferred fixture tilt, while maintaining vertical stem position.
- Ball joint allows up to 45° tilt for sloped ceilings and can be locked once stem is positioned vertically.
- Four 43" sections available; 172" maximum standard length.
- Length adjustment occurs in lower canopy.
- Wiring for kit provided by others.

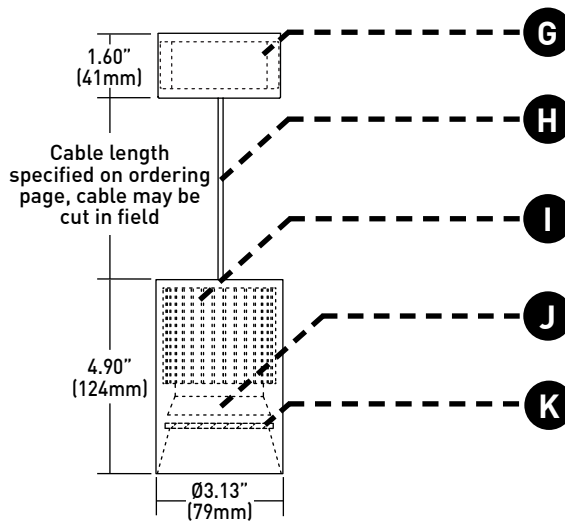


CYLINDER 2 SUSPENDED MOUNT

PENDANT

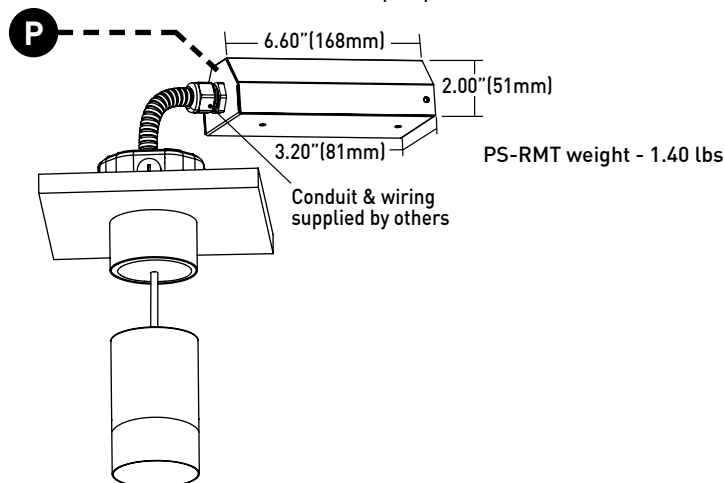
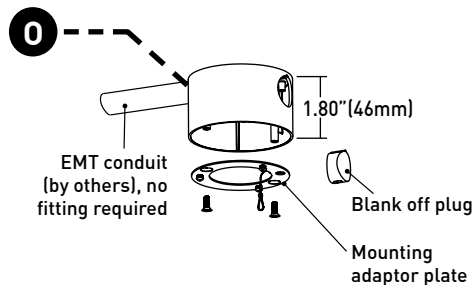
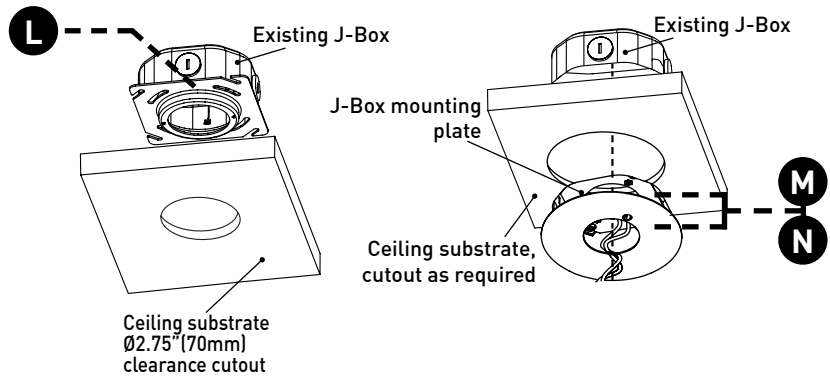
DIMENSIONS / DRAWINGS

- G CANOPY**
Die-cast 1.60" (41mm) canopy accommodates flat and slope ceiling conditions. Conceals hidden twist-on mounting hardware. Available with integral or remote driver.
- H CABLE**
Black and white wiring harness available; up to 180.0" length; cable may be cut in field.
- I LUMINAIRE**
Die-cast body with integral heat sink and LED.
- J OPTICS**
Proprietary field-changeable optics available in 15°, 25°, 40° & 60° beams.
- K EFFECTS DEVICE**
Threaded removable cowling provides virtually seamless joint with fixture body and accepts 1 lens; no lens standard.



Dropkit AND PENDANT MOUNTING

- L JBMP**
Mounting plate (concealed) for standard j-box. To be installed during rough-in prior to substrate. Fixture to mount flush with minimalist transition to ceiling.
- M SMK3**
Surface mount kit includes mounting plate and 4" concealer plate that installs between fixture and standard 3" 3/0 j-box for existing applications where standard j-box cutout is to be concealed.
- N SMK4**
Surface mount kit includes mounting plate and 5" concealer plate that installs between fixture and standard 4" 4/0 j-box for existing applications where standard j-box cutout is to be concealed.
- O CMJB**
Ceiling mount junction box perfectly matches the cylinder profile for a continuous, integrated look where exposed ceiling mount junction box and conduit applications apply. For use with 1/2" and 3/4" EMT conduit only. Features two conduit entrances on either side and one conduit knockout on top of j-box. J-box is IP10 rated; painted finishes only. Blank off plugs included.



MOUNTING NOTES

- JBMP and SMK-3/0 & 4/0 not recommended for use with pancake style j-box.

REMOTE POWER SUPPLY

- P PS-RMT**
Remote power supply provides additional driver options. Mounting device still required. Consult install guide for maximum allowable secondary run lengths between PS-RMT and fixture.

CYLINDER 2 SUSPENDED MOUNT

TECHNICAL

CONSTRUCTION

Cylinder: Die-cast or Machined aluminum body; extruded aluminum internal heat-sink; painted finishes are granulated powder coat.

Dropkit Stem Assembly: Die-cast aluminum canopies and extruded aluminum stems; painted finishes are granulated powder coat.

CMJB: Die-cast aluminum body; painted finishes are granulated powder coat.

Remote Power Supply: 22 Gauge galvanized steel.

LED

Proprietary Citizen 2 step MacAdam ellipse LED module available in 80+, 90+ and 97+ CRI configurations in color temperatures of 2700K, 3000K, 3500K and 4000K. Average rated lamp life of 50,000 hours. LED and driver assemblies are field-replaceable.

WARM DIM LED

Proprietary 3 step MacAdam ellipse warm dim LED module available in 90+ CRI configuration. 3200K at full brightness, warming to 1800K at full dim. Average rated lamp life of 50,000 hours. LED and driver assemblies are field-replaceable.

POWER SUPPLY PERFORMANCE AND DIMMING INFORMATION

Power Supply	CA2	CE2	TR2	L23	LH1	AN4	LN2	EA2	LA2	ED1	LD1
Minimum °C	-20 °C	-20 °C	-20 °C	0 °C	0 °C	-20 °C	-20 °C	-20 °C	-20 °C	-20 °C	-20 °C
Maximum °C	40 °C	40 °C	40 °C	40 °C	40 °C	40 °C	40 °C	40 °C	40 °C	40 °C	40 °C
Dimming %	2.0%	2.0%	2.0%	1.0%	1.0%	1.0%	1.0%	0.1%	0.1%	0.1%	0.1%

Note: For TR2, L23, LH1, AN4, LN2, EA2 and LA2 drivers consult chart on page 6 to confirm appropriate dimming curve for compatibility with selected control.

WALLWASH SPACING AND TILT

Cylinder must be tilted to achieve wallwashing effect. Recommended fixture spacing is 36" (914mm) on center with 36" (914mm) setback from wall plane with 30° tilt.

MOUNTING

Pendant is supplied with a mounting adaptor plate, which integrates with specified mounting component. Dropkit Stem integrates directly with specified mounting component. Both applications provide a minimalist transition from standard 4/0 or 4" square junction boxes and accommodating ceiling thicknesses of 0.44" (12mm) to 0.75" (19mm). Ceiling-mount junction box available for 1/2" (13mm) and 3/4" (19mm) conduit and feature concealed internal clamps for clean fitting-free conduit exit and entry.

LISTING

cTUVus listed to UL1598 standard for Dry / Damp (IP10) locations. Title 24 JA8-2019 Listed.

WARRANTY

Manufacturer's 1-year warranty guarantees product(s) listed to be free from defects in material and workmanship under normal use and service. 5-year warranty on LED and power supply to operate with 70% of the original flux and remain within a range of 3 duv. 10-year Lutron Advantage limited warranty available on Lutron equipped systems. Warranty period begins from the date of shipment by Seller and conditional upon the use of manufacturer-supplied power supply. Consult [website](#) for full warranty terms and conditions.

CHANGE LOG

- 9/12/2019: NEW CONSOLIDATED SPEC SHEET WITH SINGLE NOMENCLATURE FOR SPECIFICATION
- 9/12/2019: FIXED BODY AND ADJUSTABLE FIXTURES NOW OFFERED WITH Dropkit
- 10/21/2019: ADDED QUICK SHIP

CYLINDER 2 SUSPENDED MOUNT

DIMMING COMPATIBILITY

PHILIPS DRIVER COMPATIBILITY

Power supply TR2 Manufacturer	Family/Model #
Lutron Electronics	DV-600P
Lutron Electronics	DVELV-303P
Lutron Electronics	NTELV-600
Lutron Electronics	MAELV-600
Lutron Electronics	SELV-300P
Lutron Electronics	DVLV-600P
Lutron Electronics	NFTU-5A
Lutron Electronics	CTCL-153P
Lutron Electronics	GL-600H
Lutron Electronics	S-600P
Lutron Electronics	PHPM
Power supply AN4 / LN2 Manufacturer	Family/Model #
Lutron Electronics	DVTV plus PP-DV
Lutron Electronics	DVSCTV plus PP-DV
Lutron Electronics	DVSTV
Lutron Electronics	DVSCSTV
Lutron Electronics	QSGRJ-XP plus GRX-TVI
Lutron Electronics	QSGRJ-XE plus GRX-TVI
Lutron Electronics	QSGR-XE plus GRX-TVI
Lutron Electronics	NFTV plus PP-DV
Lutron Electronics	NTSTV
Lutron Electronics	RMJ-5T
Lutron Electronics	RMJS-8T
Lutron Electronics	FCJS-010
Leviton	IllumaTch IP7 series
Philips	Sunrise - SR1200ZTUNV

LUTRON DRIVER COMPATIBILITY

Power supply L23 Lutron Product Family	Part No.
Maestro WirelessR 600 W dimmer	MRF2-6ND-120-
Maestro WirelessR 1000 W dimmer	MRF2-10ND-120-
Caséta® Wireless Pro 1000 W dimmer	PD-10NXD-
GRAFIK T™ CL® dimmer	GT-250M-GTJ-250M-
HomeWorks® QS adaptive dimmer	HQRD-6NA-
HomeWorks® QS 600 W dimmer	HQRD-6ND-
HomeWorks® QS 1000 W dimmer	HQRD-10ND-
RadioRA® 2 adaptive dimmer	RRD-6NA-
RadioRA® 2 1000 W dimmer	RRD-10ND
myRoom™ DIN power module	MQSE-4A1-D
HomeWorks® QS DIN power module	LQSE-4A1-D
HomeWorks® QS wallbox power module	HQRJ-WPM-6D-120
HomeWorks® wallbox power module	HWI-WPM-6D-120
GRAFIK Eye® QS control unit	QSGR-, QSGRJ-
GRAFIK Eye® 3000 control unit	GRX-3100-GRX-3500-
RPM-4U module (LCP, HomeWorks® QS, GRAFIK Systems™, Quantum®)	HW-RPM-4U-120 LP-RPM-4U-120
RPM-4A module (LCP, HomeWorks® QS, GRAFIK Systems™, Quantum®)	HW-RPM-4A-120, LP-RPM-4A-120
GP dimming panels	Various
Ariadni CL 250W dimmer	AYCL-253P-
Diva CL 250W dimmer	DVCL-253P-DCSCCL-253P-
Nova T CL 250W dimmer	NTCL-250-
Power supply LH1 Lutron Product Family	Part No.
PowPak Dimming Modules	RMJ-ECO32-DV-B
PowPak Dimming Modules	FCJ/FCJS-ECO
Energi Savr Nodes	QSN-1ECO-S
GRAFIK Eye QS control unit	QSN-2ECO-S
Homeworks QS control unit	QSGRJ- _E (wireless) QSGR- _E
Quantum Hub	QP2-__ 2C
Quantum Hub	QP2-__ 4C
Quantum Hub	QP2-__ 6C
Quantum Hub	QP2-__ 8C
Homeworks QS power module	LQSE-2ECO-D
myRoom Plus power module	

eldoLED DRIVER COMPATIBILITY

Power supply EA2 / LA2 Dimmer / Switch Control Manufacturer	Family/Model #
Busch-Jaeger	2112U-101
Jung	240-10
Leviton Lighting Controls	IP710-DLX
Lightolier Controls	ZP600FAM120
Lutron Electronics	Nova T® - NTFTV
Lutron Electronics	Div@ - DVTV
Lutron Electronics	Nova@ - NFTV
Merten	5729
Pass & Seymour	CD4FB-W
The Watt Stopper	DCLV1
Sensor Switch	nI0 EZ
Synergy	ISD BC
Power supply EA2 / LA2 Dimmer / Switch Control Manufacturer	Family/Model #
Dimmer / Switch Control Manufacturer	GrafixEye® GRX-TVI w GRX3503 Energy Savr Node™ - QSN-4T16-S
Lutron Electronics	TVM2 Module
Crestron®	GLX-DIMFLV8
Crestron®	GLXP-DIMFLV8
Crestron®	GLPAC-DIMFLV4-*
Crestron®	GLPAC-DIMFLV8-*
Crestron®	GLPP-DIMFLVEX-PM
Crestron®	GLPP-1DIMFLV2EX-PM
Crestron®	GLPP-1DIMFLV3EX-PM
Crestron®	DIN-A08
Crestron®	DIN-4DIMFLV4
Crestron®	CLS-EXP-DIMFLV
Crestron®	CLCI-1DIMFLV2EX
ABB	SD/S 2.16.1



CYLINDER 2 SUSPENDED MOUNT

DRIVE CURRENT SPECIFICS

	80C			90C			97C			90W
	12A	19A	25A	10A	15A	20A	09A	14A	19A	13A
Minimum Vf	30.5	30.5	30.5	30.5	30.5	30.5	30.5	30.5	30.5	30.5
Maximum Vf	39	39	39	39	39	39	39	39	39	39
Current mA	250	400	550	250	400	550	250	400	550	14 - 350
Wattage W	8.2	13.6	19.4	8.2	13.6	19.4	8.2	13.6	19.4	11.8