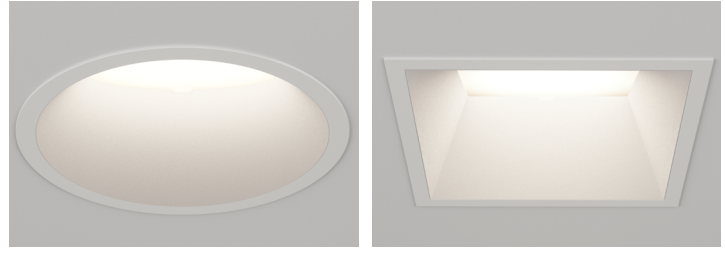


FRAXION® 4 SLIM

WALLWASH

Fraxion4 Slim incorporates an LED, optic, and housing into a single complete unit featuring a removable baffle and trim. Conversely, Fraxion4 standard offers a traditional housing and separate trim assembly.

PROJECT NAME:	TYPE:
---------------	-------



ORDERING INFORMATION - DOWNLIGHT / HOUSING



JA8-2019 INDICATED BY SHADING

SHAPE	TRIM	RATING	FLANGE FINISH	BAFFLE FINISH	LUMEN PACKAGE	CCT	OPTIC	INSTALL TYPE	CEILING THICKNESS	DRIVER
F4R Round	FWW Standard Flange MWW Microflange TWW Trimless	1 Dry/Damp 2 Wet	WH White AG Satin Silver AU Cashmere Gold BB Burnt Bronze BK Black PR Primer 00 Trimless* CF Custom Finish*	WH White AG Satin Silver AU Cashmere Gold BB Burnt Bronze BK Black PR Primer CF Custom Finish*	LOW FLUX STATIC WHITE 2.10" TALL HOUSING 80C12A 80+ CRI, Delivered Lumens - 599 80C16A 80+ CRI, Delivered Lumens - 819 80C23A 80+ CRI, Delivered Lumens - 1129 90C10A 90+ CRI, Delivered Lumens - 495 90C14A 90+ CRI, Delivered Lumens - 677 90C19A 90+ CRI, Delivered Lumens - 933 97C10A 97+ CRI, Delivered Lumens - 452 97C12A 97+ CRI, Delivered Lumens - 617 97C17A 97+ CRI, Delivered Lumens - 851	22 2200K* <small>*Only available with 90C+ CRI</small> 27 2700K 30 3000K 35 3500K 40 4000K	WW Wallwash Optic	INTEGRAL DRIVER X IC Y NIC C IC, Airtight* <small>* (CCEA, Airtight & Title 24 compliant housing)</small> REMOTE DRIVER V IC, Remote W NIC, Remote D IC, Airtight, Remote* <small>* (CCEA, Airtight & Title 24 compliant housing)</small>	1 0.50" - 1.00" T TG 0.50" - 1.00"* <small>* (Includes adjustable housing height bracket)</small>	DOMESTIC (120V) TR2 Philips, 2% Leading/Trailing/Triac* <small>* (Not available for 80C12A, 90C10A, 97C10A, 80C30A, 80C36A, 90C26A, 90C30A, 97C23A, and 97C27A)</small> L23 Lutron, Hi-Lume 1% 2-Wire UNIVERSAL (120-277V) LH1 Lutron, Hi-Lume 1% Ecosystem LP1 Lutron, Premier 0.1% Ecosystem* <small>* (Not available for 80C30B, 80C36B, 90C26B, 90C30B, 97C23B, and 97C27B)</small> AN4 Philips Xitanium 1% 0-10V, LOG LN2 Philips Xitanium 1% 0-10V, LIN EA2 eldoLED, SOLOdrive 0.1% 0-10V, LOG LA2 eldoLED, SOLOdrive 0.1% 0-10V, LIN ED1 eldoLED, SOLOdrive 0.1% DALI, LOG LD1 eldoLED, SOLOdrive 0.1% DALI, LIN
F4S Square	FWW Standard Flange MWW Microflange TWW Trimless		CF Custom Finish* <small>* (Consult Factory)</small>		HIGH FLUX STATIC WHITE 2.10" TALL HOUSING 80C30B 80+ CRI, Delivered Lumens - 1724* <small>* (Not available for IC housing applications)</small> 80C36B 80+ CRI, Delivered Lumens - 2028* <small>* (Not available for IC housing applications)</small> 90C26B 90+ CRI, Delivered Lumens - 1424* <small>* (Not available for IC housing applications)</small> 90C30B 90+ CRI, Delivered Lumens - 1677* <small>* (Not available for IC housing applications)</small> 97C23B 97+ CRI, Delivered Lumens - 1298* <small>* (Not available for IC housing applications)</small> 97C27B 97+ CRI, Delivered Lumens - 1529* <small>* (Not available for IC housing applications)</small>	27 2700K 30 3000K 35 3500K* <small>* (Not available for 97+ CRI)</small> 40 4000K				
					LOW FLUX WARM DIM 2.10" TALL HOUSING 90W11A 90+ CRI, Delivered Lumens - 695 Incandescent Profile 90W12A 90+ CRI, Delivered Lumens - 782 Standard Profile *SEE PAGE 3 FOR DETAILED WARM DIM PROFILE COMPARISON.	WL 2700K - 1800K WD 3000K - 1800K				
					LOW FLUX TUNABLE WHITE 2.10" TALL HOUSING 90T10B 90+ CRI, Delivered Lumens - 590 90T14B 90+ CRI, Delivered Lumens - 807 *ALL DELIVERED LUMEN OUTPUTS AND T24 COMPLIANCE REFLECT 3000K.	TW 5000K - 2700K				TUNABLE WHITE POWER SUPPLIES (120-277V) DD1 eldoLED, DUALdrive 0.1% DALI, LOG DG1 eldoLED, DUALdrive 0.1% 0-10V, LOG DL1 eldoLED, DUALdrive 0.1% 0-10V, LIN

(WH) White Powder Coat	(AG) Satin Silver Powder Coat	(AU) Cashmere Gold Powder Coat	(BB) Burnt Bronze Powder Coat	(BK) Black Powder Coat

PART NUMBER NOTES

- Housing and trim ship as e.g., F4RMWW1-WHWH-90C14A2-5X1-AN4
- Remote driver ships with fixture as e.g., PSF4-RMT-90C-14A-1L23



Declare.

FRAXION4 SLIM WALLWASH

ACCESSORIES

REPLACEMENT BAFFLE ASSEMBLY (INCLUDES EFFECTS DEVICE)

ASSEMBLY	SHAPE	TRIM	RATING	FLANGE FINISH
RBA				
REPLACEMENT BAFFLE ASSEMBLY	F4R Round	FWW Standard Flange MWW Microflange TWW Trimless	1 Dry / Damp 2 Wet	WH White BK Black PR Primer AU Cashmere Gold AG Satin Silver BB Burnt Bronze CF Custom Finish* *(Consult Factory)
	F4S Square	FWW Standard Flange MWW Microflange TWW Trimless		

1

LOW FLUX AND WARM DIM REPLACEMENT OPTICS

Interchangeable optics accessible through fixture aperture.

- RO-70-WW-1** WW optic

HIGH FLUX AND TUNABLE WHITE REPLACEMENT OPTICS

Interchangeable optics accessible through fixture aperture.

- RO-70-WW-2** WW optic

TG BRACKET ASSEMBLY

Supplied with ceiling thickness "T" and recommended for installations in T-Grid and furring channel up to 1.5" tall. Available for ceiling thicknesses from 0.50" - 1.00".

- DHA-TG-KIT**

HANGER BAR EXTENDER KIT

Extends hanger bars from 24.0" to 46.0" maximum.

- FRX-HBE-46** Extender, Hanger Bar

EMERGENCY LIGHTING - REMOTE MOUNT ONLY

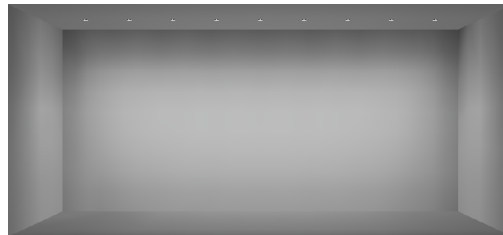
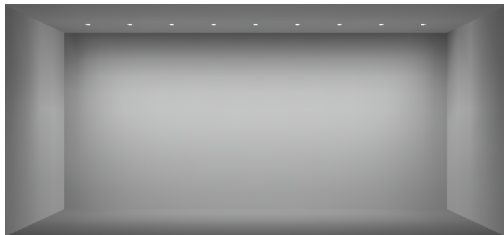
During disruption of main power, emergency battery inverter provides temporary 120V or 277V to fixture.

- EMB-S-20/25-120/277-LEDX** 20/25 watt max capacity, 120 or 277 VAC 60Hz, Non-Dimmable
- EMB-S-100-120-LEDX** 100 watt max capacity, 120 VAC 60Hz, Dimmable
- EMB-S-100-277-LEDX** 100 watt max capacity, 277 VAC 60Hz, Dimmable
- EMB-S-250-120/277-LEDX** 250 watt max capacity, 120 or 277 VAC 60Hz, Dimmable

FRAXION4 SLIM WALLWASH

WALLWASH DESIGN GUIDE

ROUND



RECOMMENDED

30" SETBACK / 30" ON CENTER SPACING

- AVERAGE FC: 23.81
- MIN / MAX: 4.23
- 10FT CEILING SHOWN / 8-12FT IDEAL
- 9 FIXTURES / 25FT WALL SHOWN

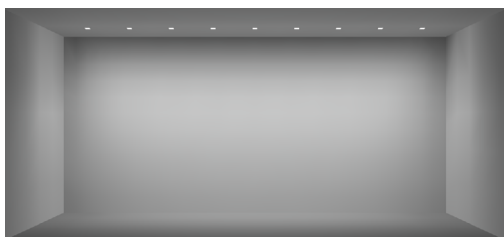
36" SETBACK / 36" ON CENTER SPACING

- AVERAGE FC: 18.27
- MIN / MAX: 4.43
- 10FT CEILING SHOWN / 8-12FT IDEAL
- 9 FIXTURES / 30FT WALL SHOWN

42" SETBACK / 42" SPACING ON CENTER

- AVERAGE FC: 14.44
- MIN / MAX: 5.51
- 10FT CEILING SHOWN / 8-12FT IDEAL
- 9 FIXTURES / 35FT WALL SHOWN

SQUARE



RECOMMENDED

30" SETBACK / 30" ON CENTER SPACING

- AVERAGE FC: 25.23
- MIN / MAX: 4.12
- 10FT CEILING SHOWN / 8-12FT IDEAL
- 9 FIXTURES / 25FT WALL SHOWN

36" SETBACK / 36" ON CENTER SPACING

- AVERAGE FC: 19.43
- MIN / MAX: 4.19
- 10FT CEILING SHOWN / 8-12FT IDEAL
- 9 FIXTURES / 30FT WALL SHOWN

42" SETBACK / 42" SPACING ON CENTER

- AVERAGE FC: 15.32
- MIN / MAX: 5.18
- 10FT CEILING SHOWN / 8-12FT IDEAL
- 9 FIXTURES / 35FT WALL SHOWN

ADDITIONAL SPACINGS AND SETBACKS

ROUND			
ON CENTER SPACING	SETBACK		
	30"	36"	42"
30"	SHOWN ABOVE	AVERAGE FC: 21.62 MIN / MAX: 4.38	AVERAGE FC: 19.42 MIN / MAX: 4.72
36"	AVERAGE FC: 16.38 MIN / MAX: 4.53	SHOWN ABOVE	AVERAGE FC: 16.53 MIN / MAX: 4.73
42"	AVERAGE FC: 17.28 MIN / MAX: 5.40	AVERAGE FC: 15.79 MIN / MAX: 5.41	SHOWN ABOVE

SQUARE			
ON CENTER SPACING	SETBACK		
	30"	36"	42"
30"	SHOWN ABOVE	AVERAGE FC: 23.05 MIN / MAX: 4.17	AVERAGE FC: 20.74 MIN / MAX: 4.15
36"	AVERAGE FC: 17.03 MIN / MAX: 4.26	SHOWN ABOVE	AVERAGE FC: 17.62 MIN / MAX: 4.51
42"	AVERAGE FC: 18.34 MIN / MAX: 5.00	AVERAGE FC: 16.79 MIN / MAX: 5.02	SHOWN ABOVE

***ALL DATA REFLECTS 90C19A LUMEN PACKAGE**

FRACTION4 SLIM WALLWASH

PERFORMANCE - 3000K - WALLWASH LENS

LUMEN PACKAGE	WATTAGE	WW OPTIC	
		DELIVERED	LPW
80C12A	10	599	59
80C16A	14	819	57
80C23A	21	1129	53
80C30B	30	1724	57
80C36B	35	2028	58
90C10A	10	495	49
90C14A	14	677	47
90C19A	21	933	44
90C26B	30	1424	47
90C30B	35	1677	48
97C10A	10	452	45
97C12A	14	617	43
97C17A	21	851	40
97C23B	30	1298	43
97C27B	35	1529	44
90W11A	14	695	49
90W12A	14	782	55
90T10B	14	590	42
90T14B	22	807	36

OUTPUT MULTIPLIER	
CCT	CCT SCALE
2200K (Consult factory for JA8 details)	0.800
2700K	0.957
3000K	1.000
3500K	1.019
4000K	1.030

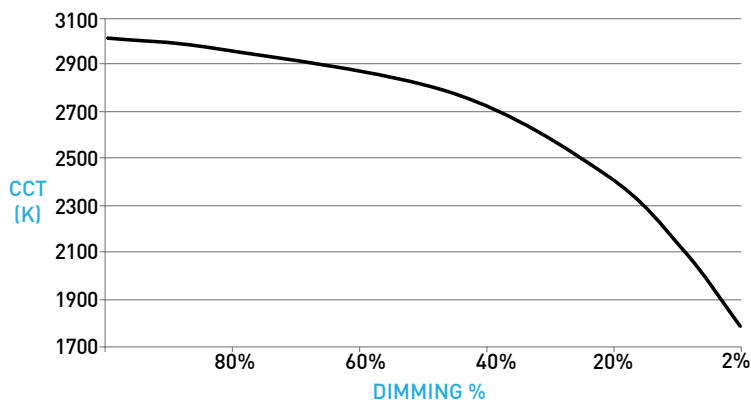


JA8-2019 INDICATED BY SHADING

WARM DIM PERFORMANCE

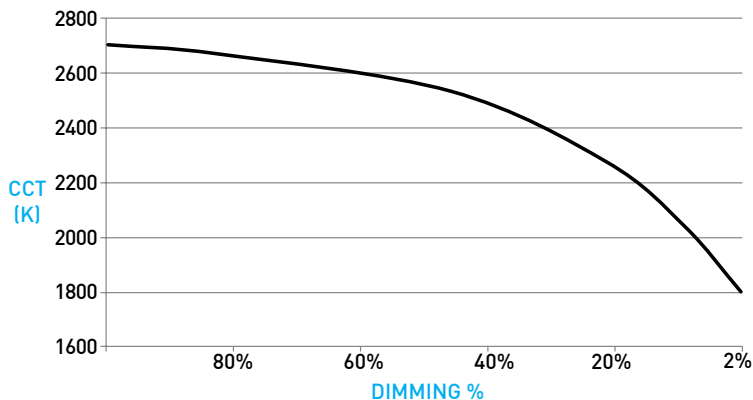
STANDARD WARM DIM PROFILE

90W12A 3000K - 1800K	Full on 100%	Dimmed to 80%	Dimmed to 70%	Dimmed to 50%	Dimmed to 20%	Dimmed to 10%	Dimmed to 2%
CCT (K)	3000	2950	2920	2775	2375	2000	1800
Light Output (Lm)	782	625	547	391	156	78	15
Power (W)	14	11	10	7	3	1.5	0.3
Efficacy (LPW)	55	55	55	55	55	55	55



WARM DIM TO MIRROR INCANDESCENT DIMMING PROFILE

90W11A 2700K - 1800K	Full on 100%	Dimmed to 80%	Dimmed to 70%	Dimmed to 50%	Dimmed to 20%	Dimmed to 10%	Dimmed to 2%
CCT (K)	2700	2650	2620	2520	2180	1950	1800
Light Output (Lm)	695	556	487	347	139	69	13
Power (W)	14	11	10	7	3	1.5	0.3
Efficacy (LPW)	49	49	49	49	49	49	49

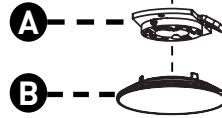
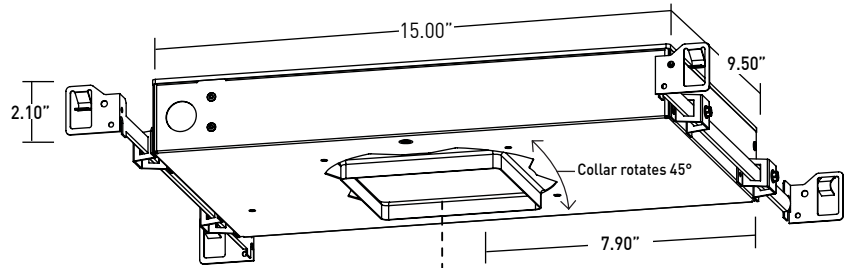


FRAXION4SLIM WALLWASH

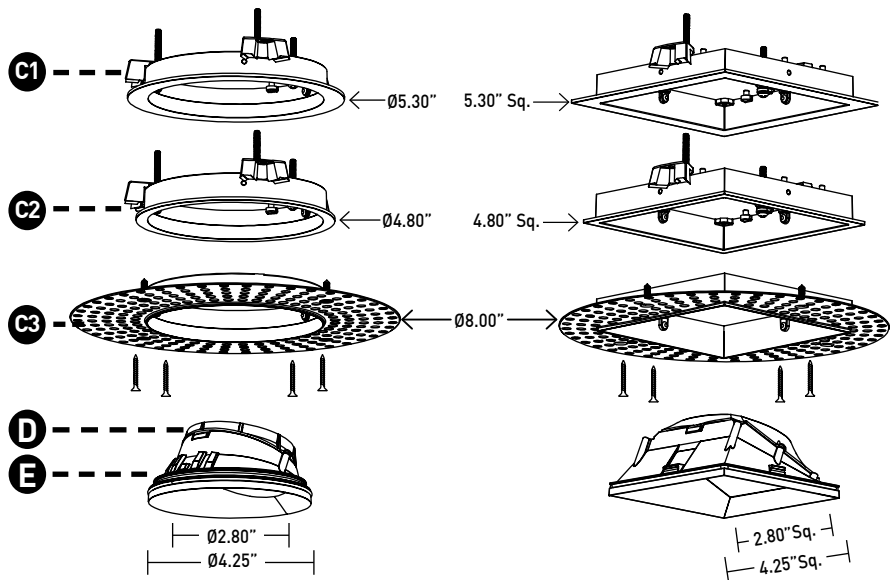
DOWNLIGHT / HOUSING

- A LED**
Integral LED module design enables field service / replacement through housing aperture.
- B OPTIC**
Proprietary wallwash optic integrates Reflection, Refraction and TIR principles.
- C1 STANDARD FLANGE PROFILE**
Installed after ceiling is complete. Requires 4.625" diameter cutout. Provides 0.86" total contractor (goof) allowance with 0.50" flange. Thickness measures 0.06". Wet location features integral silicone gasket.
- C2 MICROFLANGE PROFILE**
Installed after ceiling is complete. Requires 4.625" diameter cutout. Provides 0.42" total contractor (goof) allowance with 0.28" flange. Thickness measures 0.06". Wet location features integral silicone gasket.
- C3 TRIMLESS PROFILE**
Installs totally flush with the ceiling with no visible trim. Appliqué includes screws for mounting and has 0.06" plaster stop. Not recommended for stucco applications.
- D EFFECTS DEVICES**
Asymmetrical spread lens, included and sealed in place, combined with angled optic and wide aperture enhance uniformity.
- E ROUND/SQUARE BAFFLE**
Die-cast removable baffle minimizes aperture glare and conceals view into housing; includes silicone gasket.

DIMENSIONS / DRAWINGS



NOTE: Square housing shown, housing will feature round aperture for round fixtures.

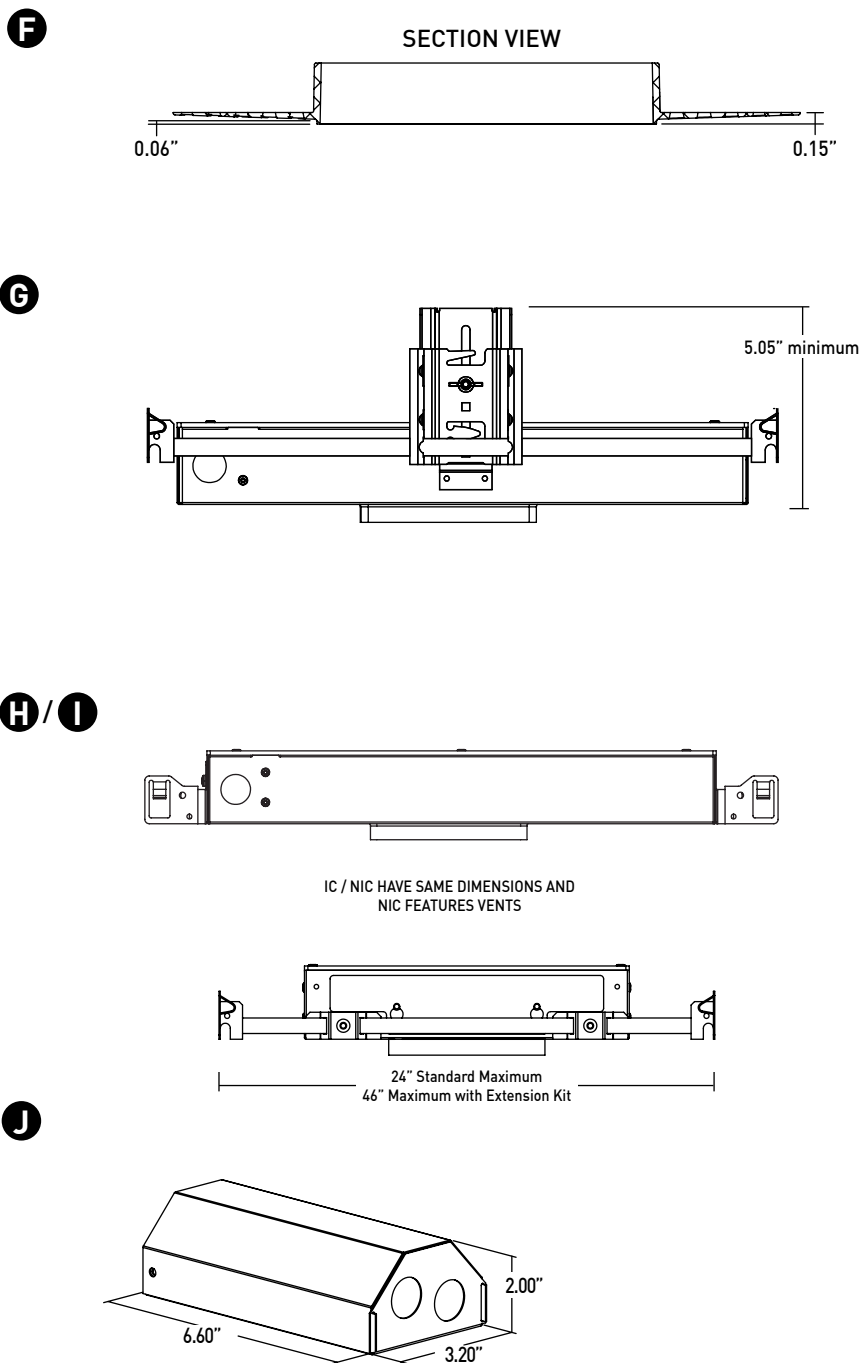


FRAXION4SLIM WALLWASH

DOWNLIGHT / HOUSING

- F TRIMLESS APPLIQUÉ DETAIL**
Integrated appliqué for plaster floating directly to baffle.
- G TG BRACKET ASSEMBLY**
Adjustable height bracket assembly provided with ceiling thickness "T" and recommended for installations in T-Grid and with furring channel. Hanger bars are installed to adjustable bracket. Allows housing to be raised and lowered; ceiling thickness remains 0.5" to 1.0" max.
- H IC HOUSING**
 - For IC ceilings.
 - CCEA, Airtight and Title 24 (JA8) listed.
 - Accommodates max 1711 delivered lumens.
 - No setback from polycell spray foam insulation having max R-Value of 60 on all sides and top of housing.
- I NIC HOUSING**
 - Minimum 0.50" setback from combustible and non-combustible materials on all sides and top of housing.
 - Minimum 3.00" setback from insulation material having max R-Value 30 on all sides and top of housing.
 - Minimum 6.00" setback from polycell spray foam insulation having max R-Value 60.
- J REMOTE POWER SUPPLY**
Provided with install Types "V", "W" and "D". Remote power supply provides additional driver options. See page 7 for maximum allowable secondary run lengths between PSF4-RMT and fixture. Must be installed in an accessible location.

DIMENSIONS / DRAWINGS



HOUSING NOTES

- Do not install in environments where ambient temperatures exceed 40°C (104°F).
- Power supply compartment and all splice connections may be serviced from room side.
- Consult factory for spacing requirements for any installations exceeding R-Value 60.
- Hanger bars fitted to short side of housing, and long side of Low Flux housings; extend from 14.0" to 24.0", but may be field cut to accommodate narrow stud spacing. Can be extended up to 46" maximum with FRX-HBE-46 kit.
- Hanger bars and brackets add 4.00" to the overall dimension, but are excluded from the setback requirements.
- Housings for round trims feature a round aperture housing collar, and for square trims, a square housing collar, accommodating ceiling thicknesses between 0.50" and 1.00".

FRAXION4 SLIM WALLWASH

TECHNICAL

CONSTRUCTION

Downlight: Painted finishes are granulated powder coat.

Housing: Aluminum and 22 Gauge galvanized steel. Extruded aluminum housing panel to act as heat-sink.

Remote Power Supply: 22 Gauge galvanized steel.

Appliqué: Zinc Alloy

STATIC WHITE LED

2-step MacAdam ellipse LED module available in 80+, 90+ and 97+ CRI configurations in color temperatures of 2200K, 2700K, 3000K, 3500K and 4000K. Average rated lamp life of 50,000 hours. LED and driver assemblies are field-replaceable.

WARM DIM LED

3-step MacAdam ellipse warm dim LED module available in 90+ CRI configuration. 3000K or 2700K at full brightness, warming to 1800K at full dim. Average rated lamp life of 50,000 hours. LED and driver assemblies are field-replaceable.

TUNABLE WHITE LED

5-step MacAdam ellipse tunable white LED module available in 90+ CRI configuration. Features tuning range of 2700K to 5000K. Average rated lamp life of 50,000 hours. LED and driver assemblies are field-replaceable.

POWER SUPPLY PERFORMANCE AND DIMMING INFORMATION

Power Supply	ELV		ECO		0-10V						DALI		
	TR2	L23	LH1	LP1	AN4	LN2	EA2	LA2	DL1	DG1	ED1	LD1	DD1
Minimum °C	-20 °C	0 °C	0 °C	0 °C	-20 °C	-20 °C	-20 °C	-20 °C	-20 °C	-20 °C	-20 °C	-20 °C	-20 °C
Maximum °C	40 °C	40 °C	40 °C	40 °C	40 °C	40 °C	40 °C	40 °C	40 °C	40 °C	40 °C	40 °C	40 °C
Dimming %	2.0%	1.0%	1.0%	0.1%	1.0%	1.0%	0.1%	0.1%	0.1%	0.1%	0.1%	0.1%	0.1%

Note: For TR2, L23, LH1, LP1, AN4, EA2 and LA2 drivers consult chart on page 8 to confirm appropriate dimming curve for compatibility with selected control.

MAXIMUM ALLOWABLE REMOTE DRIVER WIRING DISTANCES

DRIVER	WIRE AWG				
	12	14	16	18	20
TR2, AN4, LN2	285'	180'	113'	71'	45'
L23, LH1, LP1	60'	40'	25'	15'	-
EA2, LA2, ED1, LD1, DG1, DL1, DD1	-	-	118'	72'	46'

LISTING

Recommended fixture spacing is 36" on center with 36" setback from wall plane.

LISTING

cTUVus listed to UL1598 standard for Dry / Damp and Wet locations.

CCEA, Airtight and Title 24 JA8-2019 Listed.

U.S. Patent: 10,317,066

BUY AMERICAN ACT

All Fraxion4 Slim Wallwash configurations are Buy American Act compliant.

DECLARE

LBC Red List Approved.

WEIGHT

Fixture - 6.4 lbs max

Remote Driver - 1.4 lbs

LIMITED WARRANTY

Manufacturer's Limited Warranty guarantees product(s) listed to be free from defects in material and workmanship under normal use and service for 1-year. LED and power supplies are warranted to operate with 70% of original flux and remain within a range of 3 duv for a period of 5-years. 10-year Lutron Advantage limited warranty available on Lutron equipped systems. Warranty period begins from the date of shipment by Seller and conditional upon the use of manufacturer-supplied power supply. [Consult website for full warranty terms and conditions.](#)

CHANGE LOG

- 01/12/2021: ADDED 2200K AND 2700K-1800K WARM DIM OFFERINGS.
- 03/15/2021: UPDATED HIGH FLUX STATIC WHITE PHOTOMETRICS.
- 03/15/2021: REMOVED HIGH FLUX 97+ CRI 3500K OFFERING.
- 04/30/2021: REMOVED QUICK SHIP.
- 11/08/2021: ADDED LP1 DRIVER OFFERING AND DISCONTINUED 90T20B OFFERING.
- 11/08/2021: MOVED 80C58B AND 90C50B OFFERING TO NEW HIGH FLUX WALLWASH SPEC SHEET.
- 10/17/2022: REMOVED 90W13A 3200K-1800K WARM DIM AND ADDED 90W12A 3000K-1800K WARM DIM.
- 04/26/2023: ADDED DECLARE LBC RED LIST APPROVED.



FRAXION4SLIM WALLWASH

DIMMING COMPATIBILITY

PHILIPS DRIVER COMPATIBILITY

Power supply TR2 Manufacturer	Family/Model #
Lutron Electronics	DV-600P
Lutron Electronics	DVELV-303P
Lutron Electronics	NTELV-600
Lutron Electronics	MAELV-600
Lutron Electronics	SELV-300P
Lutron Electronics	DVLV-600P
Lutron Electronics	NFTU-5A
Lutron Electronics	CTCL-153P
Lutron Electronics	GL-600H
Lutron Electronics	S-600P
Lutron Electronics	PHPM
Power supply AN4 Manufacturer	Family/Model #
Lutron Electronics	DVTV plus PP-DV
Lutron Electronics	DVSCTV plus PP-DV
Lutron Electronics	DVSTV
Lutron Electronics	DVSCSTV
Lutron Electronics	QSGRJ-XP plus GRX-TVI
Lutron Electronics	QSGRJ-XE plus GRX-TVI
Lutron Electronics	QSGR-XE plus GRX-TVI
Lutron Electronics	NFTV plus PP-DV
Lutron Electronics	NTSTV
Lutron Electronics	RMJ-5T
Lutron Electronics	RMJS-8T
Lutron Electronics	FCJS-010
Leviton	IlumaTch IP7 series
Philips	Sunrise - SR1200ZTUNV

LUTRON DRIVER COMPATIBILITY

Power supply L23 Lutron Product Family	Part No.
Maestro WirelessR 600 W dimmer	MRF2-6ND-120-
Maestro WirelessR 1000 W dimmer	MRF2-10ND-120-
Caséta® Wireless Pro 1000 W dimmer	PD-10NXD-
GRAFIK T™ CL® dimmer	GT-250M-GTJ-250M-
HomeWorks® QS adaptive dimmer	HQRD-6NA-
HomeWorks® QS 600 W dimmer	HQRD-6ND-
HomeWorks® QS 1000 W dimmer	HQRD-10ND-
RadioRA® 2 adaptive dimmer	RRD-6NA-
RadioRA® 2 1000 W dimmer	RRD-10ND
myRoom™ DIN power module	MQSE-4A1-D
HomeWorks® QS DIN power module	LQSE-4A1-D
HomeWorks® QS wallbox power module	HQRJ-WPM-6D-120
HomeWorks® wallbox power module	HWI-WPM-6D-120
GRAFIK Eye® QS control unit	QSGR-, QSGRJ-
GRAFIK Eye® 3000 control unit	GRX-3100-GRX-3500-
RPM-4U module (LCP, HomeWorks® QS, GRAFIK Systems™, Quantum®)	HW-RPM-4U-120 LP-RPM-4U-120
RPM-4A module (LCP, HomeWorks® QS, GRAFIK Systems™, Quantum®)	HW-RPM-4A-120, LP-RPM-4A-120
GP dimming panels	Various
Ariadni CL 250W dimmer	AYCL-253P-
Diva CL 250W dimmer	DVCL-253P-DCSCCL-253P-
Nova T CL 250W dimmer	NTCL-250-
Power supply LH1 & LP1 Lutron Product Family	Part No.
PowPak Dimming Modules	RMJ-ECO32-DV-B
PowPak Dimming Modules	FCJ/FCJS-ECO
Energi Savr Nodes	QSN-1ECO-S
GRAFIK Eye QS control unit	QSN-2ECO-S
Homeworks QS control unit	QSGRJ- _E (wireless)
GRAFIK Eye QS control unit	QSGR- _E
Homeworks QS control unit	QSGR- _E
Quantum Hub	QP2-__ 2C
Quantum Hub	QP2-__ 4C
Quantum Hub	QP2-__ 6C
Quantum Hub	QP2-__ 8C
Homeworks QS power module	LQSE-2ECO-D
myRoom Plus power module	LQSE-2ECO-D

eldoLED DRIVER COMPATIBILITY

Power supply EA2 Manufacturer	Family/Model #
Busch-Jaeger	2112U-101
Jung	240-10
Leviton Lighting Controls	IP710-DLX
Lightolier Controls	ZP600FAM120
Merten	5729
Pass & Seymour	CD4FB-W
The Watt Stopper	DCLV1
Synergy	ISD BC
Crestron®	GLX-DIMFLV8
Crestron®	GLXP-DIMFLV8
Crestron®	GLPAC-DIMFLV4-*
Crestron®	GLPAC-DIMFLV8-*
Crestron®	GLPP-DIMFLVEX-PM
Crestron®	GLPP-1DIMFLV2EX-PM
Crestron®	GLPP-1DIMFLV3EX-PM
Crestron®	DIN-A08
Crestron®	DIN-4DIMFLV4
Crestron®	CLS-EXP-DIMFLV
Crestron®	CLCI-1DIMFLV2EX
Power supply LA2 Manufacturer	Family/Model #
Lutron Electronics	Nova T® - NTFTV
Lutron Electronics	Diva® - DVTV
Lutron Electronics	Nova® - NFTV
Lutron Electronics	GrafixEye® GRX-TVI w GRX3503
Lutron Electronics	Energy Savr Node™ - QSN-4T16-S
Lutron Electronics	TVM2 Module
Sensor Switch	nIO EZ
ABB	SD/S 2.16.1

