

2 SERIES GEMINI

PROJECT NAME:	TYPE:
---------------	-------



Precision engineered downlight family featuring pinhole apertures available in powder coat finishes for flange overlay or flush installations.

TRIM		RATING	FLANGE FINISH	CRI	WATTAGE	CCT	OPTIC		INSTALL TYPE	CEILING THICKNESS	POWER SUPPLY	MEDIA		FLANGE CONFIGURATION			
#1	#2						#1	#2				#1	#2				
G																	
2RA Round Expanded Adjustable	2PA Round Pinhole Adjustable	1 IP20 Dry/Damp 2 IP64 Wet* *Lens sealed in place	WH White	80S 80+ 90S 90+ 97S 97+	LOW FLUX/ HIGH FLUX STATIC WHITE 06A 06W Lm - 2RS 611, 2PS 592, 2SS 550 11A 11W Lm - 2RS 993, 2PS 958, 2SS 1003 15A 15W Lm - 2RS 1340, 2PS 1297, 2SS 1353 HIGH FLUX STATIC WHITE 6.5" TALL HOUSING 21A 21W Lm - 2RS 1833, 2PS 1743, 2SS 1851 WARM DIM 6.5" TALL HOUSING 11A 11W 15A 15W 22A 22W Incandescent Profile 11A Lm - 2RS 849, 2PS 847, 2SS 848 15A Lm - 2RS 1131, 2PS 1130, 2SS 1131 22A Lm - 2RS 1471, 2PS 1468, 2SS 1470 Halogen Profile 11A Lm - 2RS 893, 2PS 892, 2SS 893 15A Lm - 2RS 1191, 2PS 1189, 2SS 1190 22A Lm - 2RS 1596, 2PS 1593, 2SS 1595 *SEE PAGE 4 FOR DETAILED WARM DIM PROFILE COMPARISON. *ALL DELIVERED LUMEN OUTPUTS AND T24 COMPLIANCE REFLECT 2RS, 3000K PAIRED WITH 20°. WW OR WG OPTIC AND SOFT FOCUS LENS. REFERENCE PAGE 4 FOR ADDITIONAL T24 COMPLIANT CONFIGURATIONS.	24 2400K* *90+ CRI Only, 15W Max	10 10°** * (Only available with 15A static white wattage packages)	HOUSING W/ INTEGRAL DRIVER (HB)	1 0.50" - 0.75"	(120V)	STANDARD MEDIA 04 Soft Focus Lens* *(Required for 10° optic) WL Wallwash Lens* *(Required for 2RW and SWI) GL Wall Grazer* *(Required for 2PG and 2SG) ALTERNATE MEDIA NL No Lens* *(Not available for wet location) 02 Honeycomb Louver* *(Not available for wet location) 03 Clear Glass Lens* *(Not available for wet location) 05 Frosted Glass Lens 09 Ultra Violet Lens 11 Shatterproof Soft Focus Lens 12 Shatterproof Frosted Lens 26 Frosted Linear Spread Lens* *(Not available for wet location)	F Flange Overlay (No Applique)* *(Required for Zero Sightline wood applications) G Zero Sightline, 1/16" Applique - Gypsum* *(Not available for wet location, cannot mix round and square trims) P Zero Sightline, 1/8" Applique - Plaster* *(Not available for wet location, cannot mix round and square trims)					
2SA Square Expanded Adjustable	2RD Round Expanded Fixed Deep Regress		AG Satin Silver			IG Industrial Gray	27 2700K	15 15°	NC Non-IC	2 0.76" - 1.25"		TR2 Philips, 2% Forward/Reverse	LH1 Lutron, Hi-Lume 1% Ecosystem*	04 Soft Focus Lens* *(Required for 10° optic)	04 Soft Focus Lens* *(Required for 10° optic)		
2SD Square Expanded Fixed Deep Regress	2PD Round Pinhole Fixed Deep Regress		AU Cashmere Gold			AB Arch Bronze	30 3000K	20 20°	IC IC	3 1.26" - 2.00"			LH1 Lutron, Hi-Lume 1% Ecosystem*	04 Soft Focus Lens* *(Required for 10° optic)	04 Soft Focus Lens* *(Required for 10° optic)		
2RS Round Expanded Fixed Shallow Regress	2PS Round Pinhole Fixed Shallow Regress		BB Burnt Bronze			PR Primer	35 3500K	25 25°	AT IC, Airtight*	4 2.01" - 3.00"			LH1 Lutron, Hi-Lume 1% Ecosystem*	04 Soft Focus Lens* *(Required for 10° optic)	04 Soft Focus Lens* *(Required for 10° optic)		
2SS Square Expanded Fixed Shallow Regress	2RW Round Expanded Wallwasher		BK Black			SS Stainless Steel*	40 4000K	40 40°	* (CCEA, Airtight and Title 24 compliant housing)				LH1 Lutron, Hi-Lume 1% Ecosystem*	04 Soft Focus Lens* *(Required for 10° optic)	04 Soft Focus Lens* *(Required for 10° optic)		
2SW Square Expanded Wallwasher	2PG Round Pinhole Wall Grazer		CF Custom*			FINISH IMAGES ON PAGE 2	WL 2700K - 1800K	60 60°**	HOUSING W/ REMOTE DRIVER (HR)				LH1 Lutron, Hi-Lume 1% Ecosystem*	04 Soft Focus Lens* *(Required for 10° optic)	04 Soft Focus Lens* *(Required for 10° optic)		
2SG Square Expanded Wall Grazer							WD 3000K - 1800K	** (Not available for 2PA, 2PD, or 2PS)	NR Non-IC, Remote				LH1 Lutron, Hi-Lume 1% Ecosystem*	04 Soft Focus Lens* *(Required for 10° optic)	04 Soft Focus Lens* *(Required for 10° optic)		
									IR IC, Remote				LH1 Lutron, Hi-Lume 1% Ecosystem*	04 Soft Focus Lens* *(Required for 10° optic)	04 Soft Focus Lens* *(Required for 10° optic)		
									AR IC, Airtight, Remote*				LH1 Lutron, Hi-Lume 1% Ecosystem*	04 Soft Focus Lens* *(Required for 10° optic)	04 Soft Focus Lens* *(Required for 10° optic)		
									* (CCEA, Airtight and Title 24 compliant housing)				LH1 Lutron, Hi-Lume 1% Ecosystem*	04 Soft Focus Lens* *(Required for 10° optic)	04 Soft Focus Lens* *(Required for 10° optic)		
									REMODEL				LH1 Lutron, Hi-Lume 1% Ecosystem*	04 Soft Focus Lens* *(Required for 10° optic)	04 Soft Focus Lens* *(Required for 10° optic)		
									RM Remodel				LH1 Lutron, Hi-Lume 1% Ecosystem*	04 Soft Focus Lens* *(Required for 10° optic)	04 Soft Focus Lens* *(Required for 10° optic)		
									RR Remote-Remodel				LH1 Lutron, Hi-Lume 1% Ecosystem*	04 Soft Focus Lens* *(Required for 10° optic)	04 Soft Focus Lens* *(Required for 10° optic)		

PART NUMBER NOTES

- Trims ships as e.g. 2RA1-WH-80S11A1-2HB1-TR204
- Housing ships as e.g. NCG-2RF-1-LED-01
- Requires two drivers; drivers ship with trims
- Remote drivers ship with trims as e.g. PS-RMT-80S11A-1TR2
- Applique ships with housing or Remodel trims.



2 SERIES LED GEMINI

ACCESSORIES

ALTERNATE MEDIA

QTY

- ___ **HCL-2** Honeycomb Louver*
*(Not available for wet location)
- ___ **CGL-2** Clear Glass Lens
- ___ **SFL-2** Soft Focus Lens
- ___ **FGL-2** Frosted Glass Lens
- ___ **UVL-2** Ultra Violet Lens
- ___ **FLSL-2** Frosted Linear Spread Lens*
*(Not available for wet location)
- ___ **SFL-2-SP** Shatterproof Soft Focus Lens
- ___ **FGL-2-SP** Shatterproof Frosted Lens

FINISHES BY LUCIFER LIGHTING



REPLACEMENT OPTIC

Interchangeable optics accessible through fixture aperture.

Static White

QTY

- ___ **RO-50-15-S** 15° optic
- ___ **RO-50-20-S** 20° optic
- ___ **RO-50-25-S** 25° optic
- ___ **RO-50-40-S** 40° optic
- ___ **RO-50-60-S** 60° optic*
*(Not available for 2PA, 2PD or 2PS)
- ___ **RO-50-WW-S** Wallwash Optic*
*(Only available for 2RW and 2SW)
- ___ **RO-50-WG-S** Wall Grazer Optic*
*(Only available for 2PG and 2SG)

WARM DIM

QTY

- ___ **RO-50-20-W** 20° optic
- ___ **RO-50-25-W** 25° optic
- ___ **RO-50-40-W** 40° optic
- ___ **RO-50-60-W** 60° optic*
*(Not available for 2PA, 2PD or 2PS)
- ___ **RO-50-WW-W** Wallwash Optic*
*(Only available for 2RW and 2SW)
- ___ **RO-50-WG-W** Wall Grazer Optic*
*(Only available for 2PG and 2SG)

HANGER BAR EXTENDER KIT

Extends hanger bars from 24.0" to 46.0" maximum.

QTY

- ___ **2S-HBE-46** Extender, Hanger Bar

FURRING CHANNEL ACCESSORY KIT

Recommended for installations in furring channel. Available for ceiling thicknesses from 0.125" - 1.25".

QTY

- ___ **DHA-FC-KIT** Accessory, Furring Channel

ADJUSTMENT TOOL

One included with every four fixtures.

QTY

- ___ **TOOL-HEX-050**

ROUTER TOOL GUIDE (Dry / Damp locations only)

Recommended for Zero-Sightline installations in wood ceilings.

QTY

- ___ **DLA-RTG-2S-RD** Tool, router guide, round; reusable
- ___ **DLA-RTG-2S-SQ** Tool, router guide, square; reusable

2 SERIES LED GEMINI

PERFORMANCE - 3000K

CRI / WATTAGE	WATTAGE	ADJUSTABLE - 20° OPTIC - SOFT FOCUS LENS					
		2RA		2PA		2SA	
		DELIVERED	LPW	DELIVERED	LPW	DELIVERED	LPW
80S06A	6	670	112	544	91	603	100
80S11A	11	1076	98	886	80	1011	92
80S15A	15	1471	98	1194	80	1386	92
80S21A	21	1974	94	1624	77	1856	88
90S06A	6	578	96	469	78	520	87
90S11A	11	928	84	764	69	872	79
90S15A	15	1268	84	1029	69	1195	80
90S21A	21	1702	81	1400	67	1600	76
97S06A	6	509	85	413	69	458	76
97S11A	11	817	74	672	61	767	70
97S15A	15	1116	74	905	60	1052	70
97S21A	21	1498	71	1232	59	1408	67
90L11AWL (2700K-1800K)	11	798	73	682	62	728	66
90L11AWD (3000K-1800K)	11	840	76	718	65	767	70
90L15AWL (2700K-1800K)	15	1064	71	909	61	971	65
90L15AWD (3000K-1800K)	15	1120	75	957	64	1022	68
90L22AWL (2700K-1800K)	22	1383	63	1182	54	1262	57
90L22AWD (3000K-1800K)	22	1501	68	1282	58	1369	62

CRI / WATTAGE	WATTAGE	DEEP REGRESS - 20° OPTIC - SOFT FOCUS LENS					
		2RD		2PD		2SD	
		DELIVERED	LPW	DELIVERED	LPW	DELIVERED	LPW
80S06A	6	677	112	615	102	677	112
80S11A	11	1109	101	998	91	1109	101
80S15A	15	1486	99	1349	90	1486	99
80S21A	21	2025	96	1828	87	2025	96
90S06A	6	584	97	530	88	584	97
90S11A	11	956	87	860	78	956	87
90S15A	15	1281	85	1163	77	1281	85
90S21A	21	1746	83	1576	75	1746	83
97S06A	6	514	85	466	77	514	85
97S11A	11	841	76	757	69	841	76
97S15A	15	1127	75	1023	68	1127	75
97S21A	21	1536	73	1387	66	1536	73
90L11AWL (2700K-1800K)	11	790	72	745	68	801	73
90L11AWD (3000K-1800K)	11	832	76	785	71	843	77
90L15AWL (2700K-1800K)	15	1054	70	994	66	1068	71
90L15AWD (3000K-1800K)	15	1109	74	1046	70	1124	75
90L22AWL (2700K-1800K)	22	1370	62	1292	59	1388	63
90L22AWD (3000K-1800K)	22	1486	68	1402	64	1506	68

CRI / WATTAGE	WATTAGE	SHALLOW REGRESS - 20° OPTIC - SOFT FOCUS LENS					
		2RS		2PS		2SS	
		DELIVERED	LPW	DELIVERED	LPW	DELIVERED	LPW
80S06A	6	709	118	687	114	638	106
80S11A	11	1152	105	1111	101	1163	106
80S15A	15	1554	104	1504	100	1569	105
80S21A	21	2126	101	2022	96	2147	102
90S06A	6	611	101	592	98	550	91
90S11A	11	993	90	958	87	1003	91
90S15A	15	1340	89	1297	86	1353	90
90S21A	21	1833	87	1743	83	1851	88
97S06A	6	538	89	521	86	484	80
97S11A	11	874	79	843	77	883	80
97S15A	15	1179	79	1141	76	1191	79
97S21A	21	1613	77	1534	73	1629	77
90L11AWL (2700K-1800K)	11	849	77	847	77	848	77
90L11AWD (3000K-1800K)	11	893	81	892	81	893	81
90L15AWL (2700K-1800K)	15	1131	75	1130	75	1131	75
90L15AWD (3000K-1800K)	15	1191	79	1189	79	1190	79
90L22AWL (2700K-1800K)	22	1471	67	1468	67	1470	67
90L22AWD (3000K-1800K)	22	1596	73	1593	72	1595	72



JA8-2022 INDICATED BY SHADING

CRI / WATTAGE	WATTAGE	ADJUSTABLE - 10° OPTIC - FIELD REDUCER					
		2RA		2PA		2SA	
		DELIVERED	LPW	DELIVERED	LPW	DELIVERED	LPW
80S15C	15	921	61	732	49	850	57
90S15C	15	794	53	631	42	733	49
97S15C	15	685	46	544	36	632	42

OUTPUT MULTIPLIER

CCT	CCT SCALE
2400K	0.76
2700K	0.97
3000K	1.00
3500K	1.03
4000K	1.08

MEDIA LIGHT LOSS FACTOR

MEDIA	LIGHT LOSS FACTOR
NO LENS	1.15
CGL	1.03
SFL	1.00
FGL	0.79
FSFL	0.70
FLSL	0.70
HCL	0.81

UNIFIED GLARE RATING 2 SERIES ADJUSTABLE

10° OPTIC FIELD REDUCER	20° OPTIC SOFT FOCUS LENS	25° OPTIC SOFT FOCUS LENS	40° OPTIC SOFT FOCUS LENS	60° OPTIC SOFT FOCUS LENS
<13	<13	<13	<13	<13

CRI / WATTAGE	WATTAGE	DEEP REGRESS - 10° OPTIC - FIELD REDUCER					
		2RD		2PD		2SD	
		DELIVERED	LPW	DELIVERED	LPW	DELIVERED	LPW
80S15C	15	984	66	929	62	982	65
90S15C	15	848	57	801	53	846	56
97S15C	15	732	49	691	46	730	49

OUTPUT MULTIPLIER

CCT	CCT SCALE
2400K	0.76
2700K	0.97
3000K	1.00
3500K	1.03
4000K	1.08

MEDIA LIGHT LOSS FACTOR

MEDIA	LIGHT LOSS FACTOR
NO LENS	1.08
CGL	1.02
SFL	1.00
FGL	0.85
FSFL	0.76
FLSL	0.73
HCL	0.74

UNIFIED GLARE RATING 2 SERIES DEEP REGRESS

10° OPTIC FIELD REDUCER	20° OPTIC SOFT FOCUS LENS	25° OPTIC SOFT FOCUS LENS	40° OPTIC SOFT FOCUS LENS	60° OPTIC SOFT FOCUS LENS
<13	<13	<13	<13	<13

CRI / WATTAGE	WATTAGE	SHALLOW REGRESS - 10° OPTIC - FIELD REDUCER					
		2RS		2PS		2SS	
		DELIVERED	LPW	DELIVERED	LPW	DELIVERED	LPW
80S15C	15	1131	75	1095	73	1135	76
90S15C	15	975	65	944	63	978	65
97S15C	15	841	56	815	54	844	56

OUTPUT MULTIPLIER

CCT	CCT SCALE
2400K	0.76
2700K	0.97
3000K	1.00
3500K	1.03
4000K	1.08

MEDIA LIGHT LOSS FACTOR

MEDIA	LIGHT LOSS FACTOR
NO LENS	1.04
CGL	1.01
SFL	1.00
FGL	0.89
FSFL	0.80
FLSL	0.79
HCL	0.67

UNIFIED GLARE RATING 2 SERIES SHALLOW REGRESS

10° OPTIC FIELD REDUCER	20° OPTIC SOFT FOCUS LENS	25° OPTIC SOFT FOCUS LENS	40° OPTIC SOFT FOCUS LENS	60° OPTIC SOFT FOCUS LENS
<19	<16	<16	<19	<16

2 SERIES LED GEMINI

PERFORMANCE - 3000K

CRI / WATTAGE PACKAGE	WATTAGE	WALL GRAZER			
		2PG		2SG	
		DELIVERED	LPW	DELIVERED	LPW
80S06A	6	331	55	389	65
80S11A	11	536	49	628	57
80S15A	15	724	48	856	57
80S21A	21	1000	48	1156	55
90S06A	6	285	49	335	58
90S11A	11	462	46	541	54
90S15A	15	624	44	738	51
90S21A	21	862	41	997	47
97S06A	6	251	42	295	49
97S11A	11	406	37	494	38
97S15A	15	549	37	649	43
97S21A	21	758	36	877	42
90L11AWL (2700K-1800K)	11	346	31	428	39
90L11AWD (3000K-1800K)	11	364	33	451	41
90L15AWL (2700K-1800K)	15	461	31	571	38
90L15AWD (3000K-1800K)	15	485	32	601	40
90L22AWL (2700K-1800K)	22	599	27	742	34
90L22AWD (3000K-1800K)	22	630	29	781	36

OUTPUT MULTIPLIER

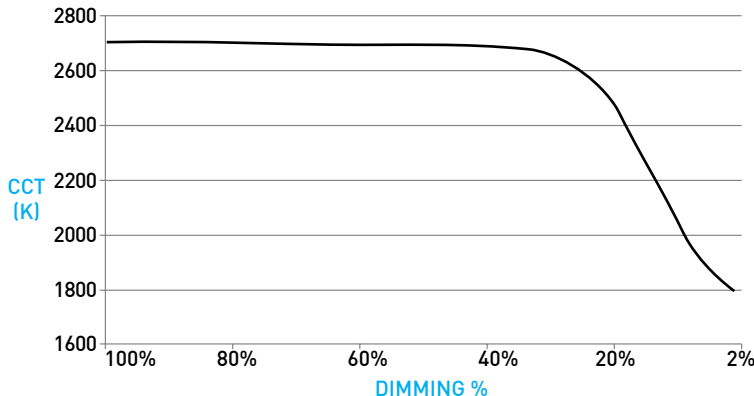
CCT	CCT SCALE
2400K	0.76
2700K	0.957
3000K	1.000
3500K	1.019
4000K	1.030

CRI / WATTAGE PACKAGE	WATTAGE	WALLWASH			
		2RW		2SW	
		DELIVERED	LPW	DELIVERED	LPW
80S06A	6	415	69	351	59
80S11A	11	680	56	554	49
80S15A	15	926	62	770	51
80S21A	21	1245	59	1029	49
90S06A	6	358	62	303	53
90S11A	11	586	53	478	43
90S15A	15	798	53	664	44
90S21A	21	1073	51	887	42
97S06A	6	315	53	267	44
97S11A	11	516	47	421	38
97S15A	15	702	47	584	39
97S21A	21	944	45	781	37
90L11AWL (2700K-1800K)	11	344	31	354	32
90L11AWD (3000K-1800K)	11	483	44	373	34
90L15AWL (2700K-1800K)	15	612	41	472	32
90L15AWD (3000K-1800K)	15	644	43	497	33
90L22AWL (2700K-1800K)	22	796	36	614	28
90L22AWD (3000K-1800K)	22	863	39	666	30

WARM DIM PERFORMANCE - 2RS - 25° OPTIC - SOFT FOCUS LENS

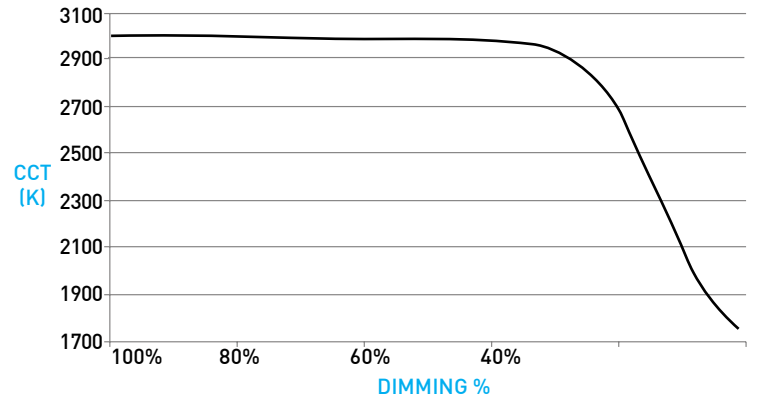
INCANDESCENT PROFILE

90L11AWL 2700K - 1800K	Full on 100%	Dimmed to 80%	Dimmed to 70%	Dimmed to 50%	Dimmed to 20%	Dimmed to 10%	Dimmed to 2%
CCT (K)	2700K	2700K	2700K	2600K	2200K	1900K	1800K
Light Output (Lm)	849	679	594	425	170	85	17
Power (W)	11	8.8	7.7	5.5	2.2	1.1	.2
Efficacy (LPW)	77	77	77	77	77	77	77
90L15AWL 2700K - 1800K	Full on 100%	Dimmed to 80%	Dimmed to 70%	Dimmed to 50%	Dimmed to 20%	Dimmed to 10%	Dimmed to 2%
CCT (K)	2700K	2700K	2700K	2700K	2500K	1900K	1800K
Light Output (Lm)	1131	905	792	566	226	113	23
Power (W)	15	12	10.5	7.5	3	1.5	.3
Efficacy (LPW)	75	75	75	75	75	75	75
90L22AWL 2700K - 1800K	Full on 100%	Dimmed to 80%	Dimmed to 70%	Dimmed to 50%	Dimmed to 20%	Dimmed to 10%	Dimmed to 2%
CCT (K)	2700K	2700K	2700K	2700K	2600K	2100K	1800K
Light Output (Lm)	1471	1177	1030	736	294	147	29
Power (W)	22	17.6	15.4	11	4.4	2.2	.4
Efficacy (LPW)	67	67	67	67	67	67	67



HALOGEN PROFILE

90L11AWD 3000K - 1800K	Full on 100%	Dimmed to 80%	Dimmed to 70%	Dimmed to 50%	Dimmed to 20%	Dimmed to 10%	Dimmed to 2%
CCT (K)	3000K	3000K	3000K	3000K	2500K	1900K	1800K
Light Output (Lm)	893	714	625	447	179	89	18
Power (W)	11	8.8	7.7	5.5	2.2	1.1	.2
Efficacy (LPW)	81	81	81	81	81	81	81
90L15AWD 3000K - 1800K	Full on 100%	Dimmed to 80%	Dimmed to 70%	Dimmed to 50%	Dimmed to 20%	Dimmed to 10%	Dimmed to 2%
CCT (K)	3000K	3000K	3000K	3000K	3000K	2000K	1800K
Light Output (Lm)	1191	953	834	596	238	119	24
Power (W)	15	12	10.5	7.5	3	1.5	.3
Efficacy (LPW)	79	79	79	79	79	79	79
90L22AWD 3000K - 1800K	Full on 100%	Dimmed to 80%	Dimmed to 70%	Dimmed to 50%	Dimmed to 20%	Dimmed to 10%	Dimmed to 2%
CCT (K)	3000K	3000K	3000K	3000K	3000K	2500K	1800K
Light Output (Lm)	1596	1436	1277	795	319	160	32
Power (W)	22	17.6	15.4	11	4.4	2.2	.4
Efficacy (LPW)	73	73	73	73	73	73	73



NOTE: LIN-TO-LIN 0-10V PAIRING NOT COMPATIBLE WITH WARM DIM.

2 SERIES LED GEMINI

DOWNLIGHT

Adjustable - Hot-aim adjustment from below up to 45° tilt and 357° rotation, faceplate conceals adjustment mechanisms.

Fixed Deep Regress - Die-cast deep baffle minimizes aperture glare and conceals view into housing. Black finish standard.

Fixed Shallow Regress - Die-cast shallow baffle minimizes aperture glare and conceals view into housing. Black finish standard.

- A ADJUSTABLE YOKE**
Adjustable yoke allows for quick exchange of optics and media. Accommodates up to 2 media; add 0.16" (4.1mm) to fixture height with use of each media.
- B OPTICS**
Robust light engine with optimized optic pairing integrates Reflection, Refraction, and TIR offering 10°, 15°, 20°, 25°, 40° & 60° beams. Soft Focus Lens, Honeycomb Louver, and Field Reducer provided with 10° optic.
- C TILT GUIDE**
Features adjustment angles and allows for pre-aiming prior to insertion of fixture.
- D MEDIA**
Media must be specified. Lens is sealed in aperture on adjustable Wet location fixtures and to baffle on fixed Wet location fixtures. Secondary media available.
- E ADJUSTABLE TRIM PLATE**
Features removable faceplate providing access to adjustment mechanisms. Rare Earth magnets secure faceplate firmly to trim mechanism and do not degrade over time.
 - Dry / Damp Location: Thickness measures 0.065"
 - Wet Location: Sealed aperture and integral silicone gasket. 0.15" return, installed as flange overlay only.
- F FIXED TRIM PLATE**
Wet location features integral silicone gasket.
 - Dry / Damp Location: Thickness measures 0.065" (1.7mm)
 - Wet Location: 0.15" return, installed as flange overlay only.

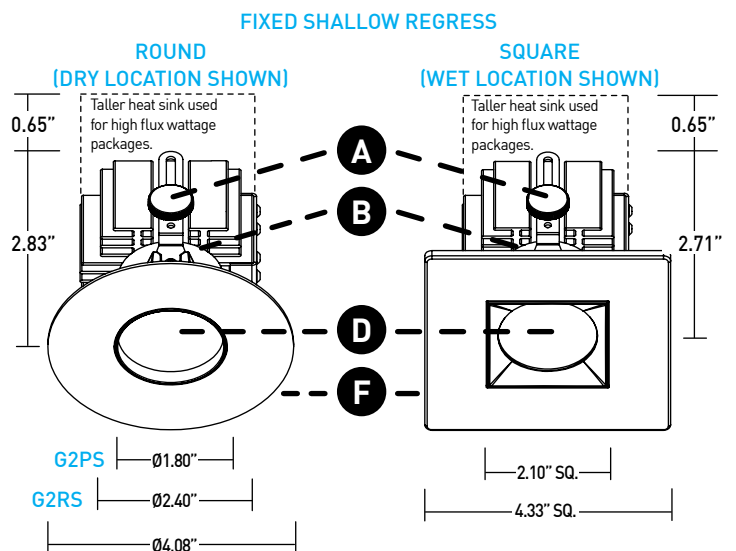
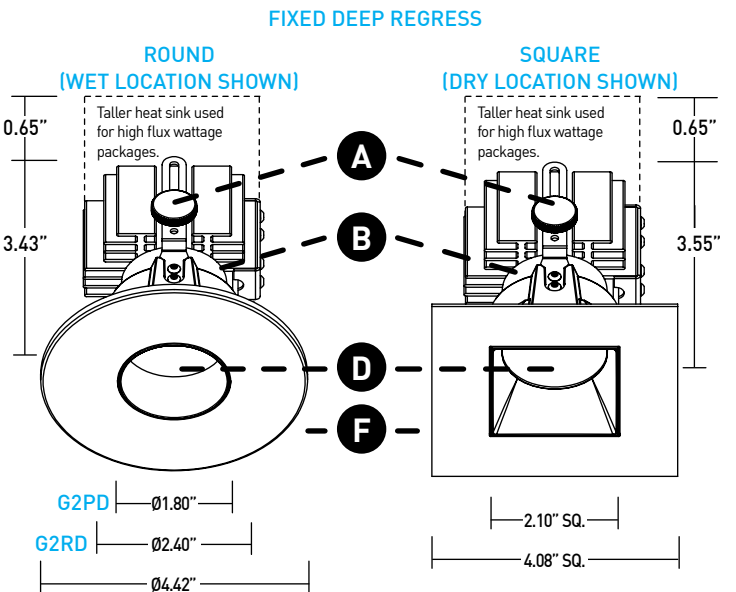
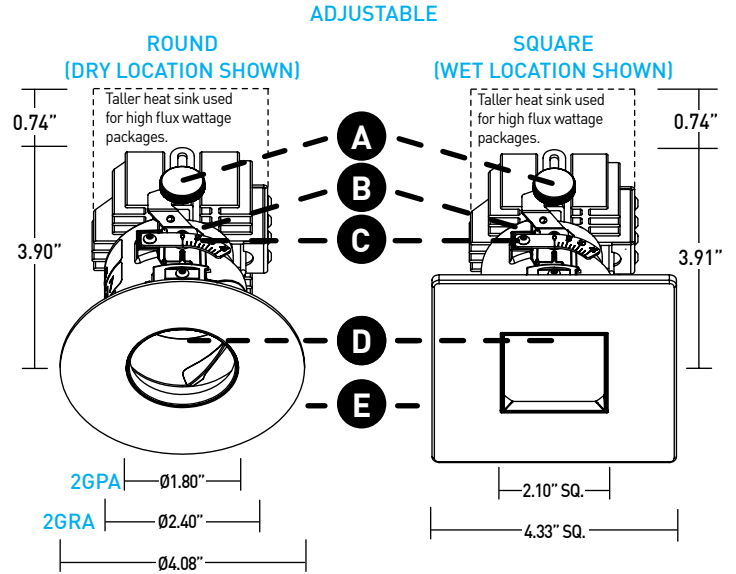
ADJUSTABLE TILT CHART

Chart references abbreviated ceiling thickness and use of 1 media.

CEILING THICKNESS	≤0.75" (19mm)	≤1.25" (32mm)	≤2.00" (50mm)	≤2.25" (57mm)	≤3.00" (76mm)
	"-1" collar	"-2" collar	"-3" collar	"-4" collar	"-4" collar
Low Flux	45°	30°	10°	5°	4°
High Flux	45°	35°	13°	5°	4°

Note: Max tilt of High Flux trims when aimed 180° apart along long axis of housing is 33°.

DIMENSIONS / DRAWINGS



2 SERIES LED GEMINI

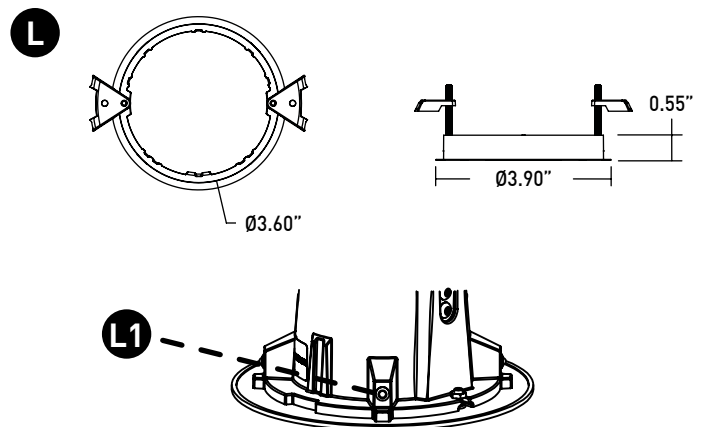
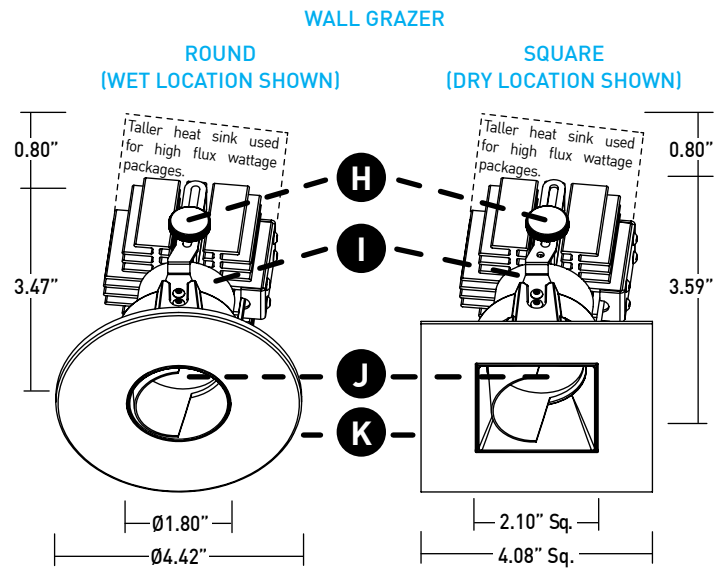
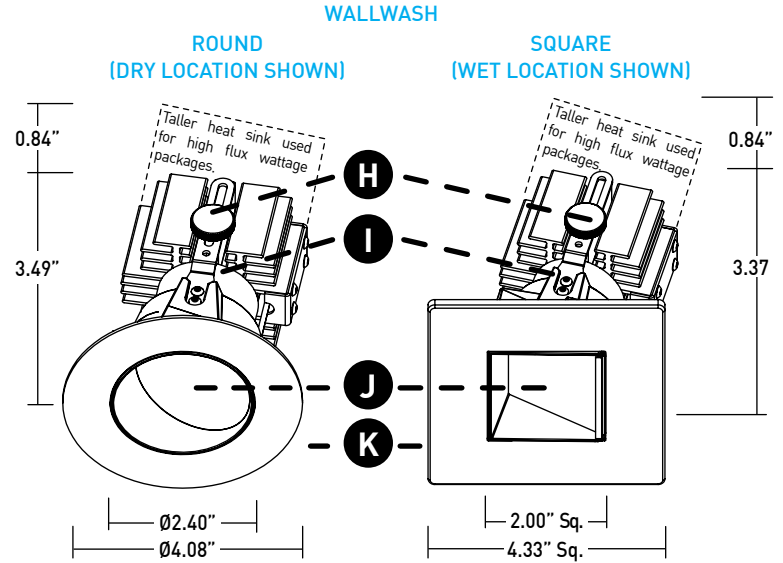
DOWNLIGHT

Wallwash - Die-cast baffle and precision kick reflector provide dynamic wallwashing and minimal aperture glare.

Wall Grazer - Die-cast baffle and precision kick reflector provide dynamic wall grazing and minimal aperture glare.

- H** **ADJUSTABLE YOKE**
Adjustable yoke allows for quick access to media.
- I** **OPTIC**
40° optic for optimal wallwashing or wall grazing.
- J** **MEDIA**
Wallwasher or wall grazer lens included and sealed in place on wet location fixtures
- K** **TRIM PLATE**
Wet location features integral silicone gasket.
 - Dry / Damp Location: Thickness measures 0.065"
 - Wet Location: 0.15" return, installed as flange overlay only.
- L** **DOWNLIGHT TRIM ADAPTER**
Included with fixture and required for installation. Uses (2) #6-32 flat-head screws with varying lengths to accommodate ceiling depth. Installed after ceiling is complete. Requires 3.75" (95mm) diameter cutout for flange overlay applications.
- L1** **RETENTION**
Engineered integral ball plungers correspond to trim adapter ensuring snug fit against finished ceiling.

DIMENSIONS / DRAWINGS



2 SERIES LED GEMINI

HOUSING

- N NO INSULATION CONTACT (NON-IC) HOUSING**
- Included with NC and NR install types.
 - Minimum 0.50" setback from combustible and non-combustible materials on all sides and top of housing.
 - Minimum 3.00" setback from insulation material having max R-Value 30 on all sides and top of housing.
 - Minimum 6.00" setback from polycell spray foam insulation having max R-Value 60.
- INSULATION CONTACT (IC) HOUSING**
- Included with IC, IR, AT, and AR install types.
 - No setback from polycell spray foam insulation having max R-Value of 60 on all sides and top of housing.

HOUSING MOUNTING NOTES

- AT and AR install types are required for CCEA, Airtight and Title 24 (JA8) applications.
- Do not install in environments where ambient temperatures exceed 40°C (104°F).
- Power supply compartment and all splice connections may be serviced from room side.
- Consult factory for spacing requirements for any installations exceeding R-Value 60.
- Hanger bars fitted to short side of housing; extend from 14.0" to 24.0", but may be field cut to accommodate narrow stud spacing. Can be extended up to 46" maximum with 2S-HBE-46 kit.
- Hanger bars and brackets add 4.00" to the overall dimension, but are exclusive of the setback requirements.
- Driver assembly ships with trim, not housing. Housing and trim feature mating quick-connect plugs for ease of installation.

REMOTE POWER SUPPLY

- O** Gemini configurations require two power supplies, provided with install types IR, AR NR, and RR. Consult factory for maximum remote mounting distances.

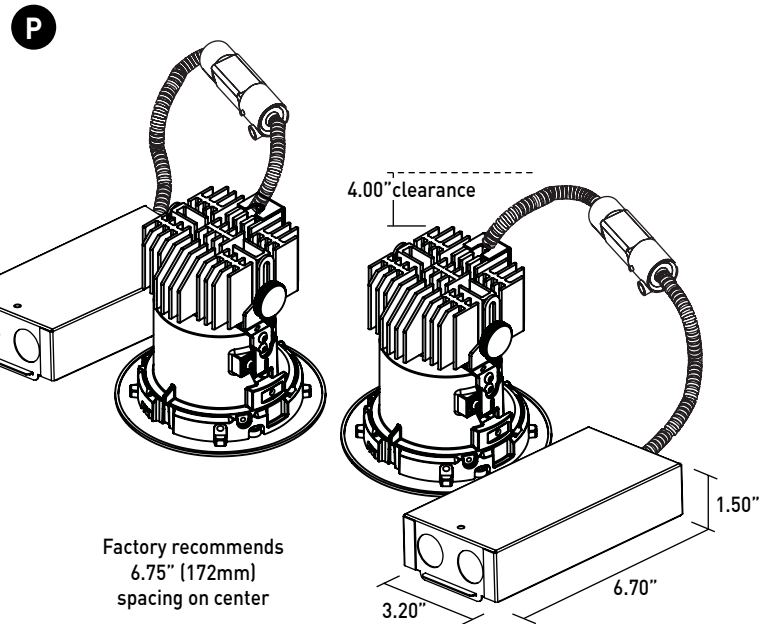
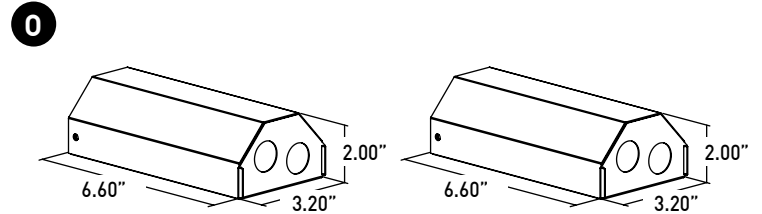
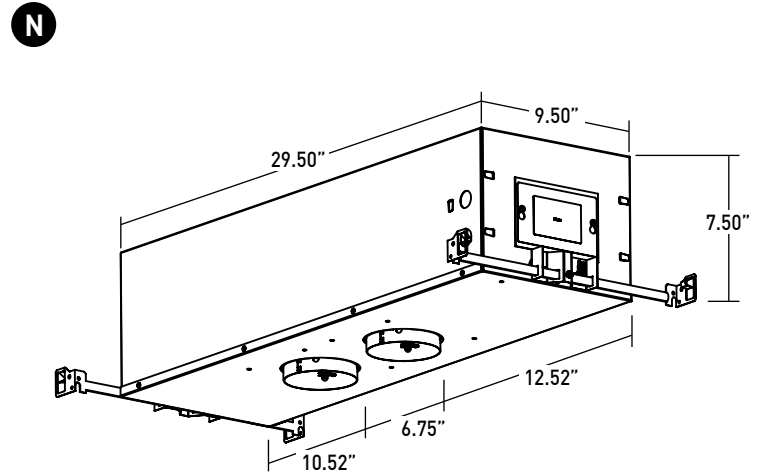
REMODEL

- P REMODEL POWER SUPPLY**
- Included with RM Install Type.
 - UL2043 listed for air-handling plenum.
 - Fixture mounts without conventional housing using supplied downlight trim adapter.
 - Minimum 4.00" clearance from top of fixture.
 - Minimum setback from combustible and non-combustible materials of 6.63" radius from fixture centerlines.
 - Minimum 6.00" setback from surfaces of power supply / junction box if not situated within above noted radius from fixture centerline.
 - Minimum additional 6.00" setback from insulation material with max R-Value 30 from any surface of downlight fixture assembly.
 - Minimum additional 12.00" setback from polycell spray foam insulation with max R-Value 60 from any surface of downlight fixture assembly.

REMODEL NOTES

- Do not install in environments where ambient temperatures exceed 40°C (104°F).
- Power supply compartment and all splice connections may be serviced from room side.
- Consult factory for spacing requirements for any installations exceeding R-Value 60.

DIMENSIONS / DRAWINGS



2 SERIES LED GEMINI

ZERO-SIGHTLINE INSTALLATIONS

Zero-Sightline installations available for Dry / Damp location fixtures only. When installed according to manufacturer's instructions and ceiling conditions are met, fixture is flush with the ceiling plane. Consult 2-Series Installation Guidelines for appropriate ceiling cutouts and instructions for proper Zero-Sightline installations.

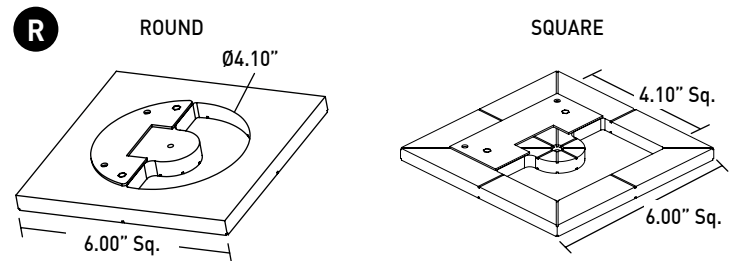
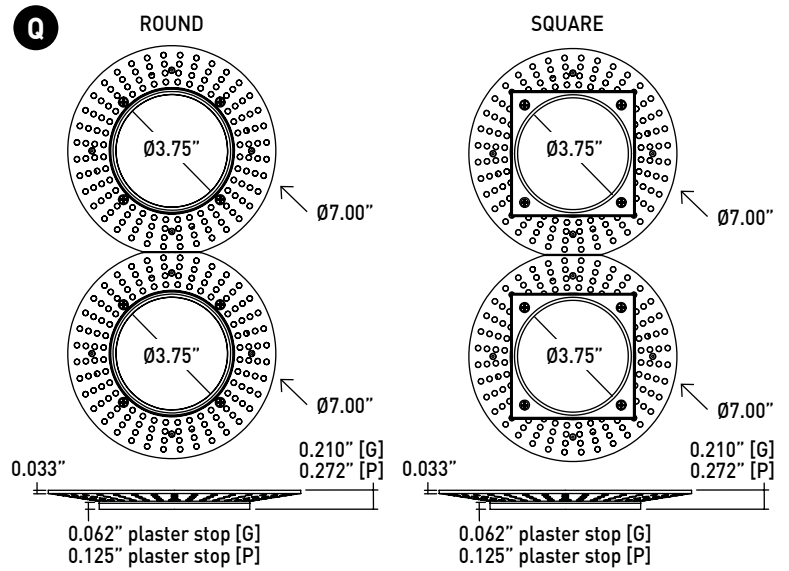
Q APPLIQUÉ

- Specified under Flange Configuration and ships with housing.
- For use in sheetrock ceiling applications.
- 1/16" Appliqué (G Flange Configuration) recommended for gypsum ceiling installations and has plaster stop thickness of 1/16".
- Recommended for painted ceiling applications.
- 1/8" Appliqué (P Flange Configuration) offers double thick plaster stop of 1/8" where a heavier application of mud is preferred. Recommended for colorfast and venetian plaster applications.
- Not recommended for stucco applications.

R ROUTER TOOL GUIDE

- Specified separately and used with Flange Overlay configurations.
- For use in wood ceiling applications.
- **DLA-RTG-2S-RD** or **DLA-RTG-2S-SQ** required for wood Zero-Sightline ceiling installations.
- Router tool guide is reusable and suitable for multiple fixtures, minimum one per installer required.

DIMENSIONS / DRAWINGS



2 SERIES LED GEMINI

TECHNICAL INFORMATION

CONSTRUCTION

Downlight: Steel and aluminum; extruded aluminum heat-sink; painted finishes are granulated powder coat. 304 corrosion resistant stainless steel faceplate for wet location fixtures.

Trim Adapter: High-impact composite and stainless steel.

Housing: 22 Gauge galvanized steel.

Appliqué: Zinc alloy and galvanized steel

LED

2-step MacAdam ellipse LED module available in 80+, 90+ and 97+ CRI configurations in color temperatures of 2700K, 3000K, 3500K and 4000K. 3-step MacAdam ellipse LED module available in 90+ configuration in color temperature of 2400K. Average rated lamp life: 50,000 hours. LED and driver assemblies are field-replaceable.

WARM DIM LED

3-step MacAdam ellipse warm dim LED module available in 90+ CRI configuration. 3000K or 2700K at full brightness, warming to 1800K at full dim. Average rated lamp life of 50,000 hours. LED and driver assemblies are field-replaceable.

POWER SUPPLY PERFORMANCE AND DIMMING INFORMATION

Power Supply	PHASE			ECO			0-10V				DALI-2	
	TR2	LH1	LP1	EA2	LA2	AN4	LN2	ED1	LD1	ED1	LD1	
Minimum °C	-20 °C	0 °C	0 °C	-20 °C	-20 °C	-20 °C	-20 °C	-20 °C	-20 °C	-20 °C	-20 °C	
Maximum °C	40 °C	40 °C	40 °C	40 °C	40 °C	40 °C	40 °C	40 °C	40 °C	40 °C	40 °C	
Dimming %	2.0%	1.0%	0.1%	0.1%	0.1%	1.0%	1.0%	0.1%	0.1%	0.1%	0.1%	

Note: For TR2, LH1, LP1, AN4, EA2 and LA2 drivers consult chart on page 10 to confirm appropriate dimming curve for compatibility with selected control.

MAXIMUM ALLOWABLE REMOTE DRIVER WIRING DISTANCES

DRIVER	WIRE AWG				
	12	14	16	18	20
TR2, AN4, LN2	285'	180'	113'	71'	45'
LH1, LP1	60'	40'	25'	15'	-
EA2, LA2, ED1, LD1	-	-	118'	72'	46'

SPACING

Wallwash: Recommended fixture spacing is 36" on center with 36" setback from wall plane.

Wall Grazer: Recommended fixture spacing is 22" to 28" on center with 16" to 18" setback from wall plane.

Remodel: Recommended spacing between fixtures is 6.75" on center.

LISTING

cTUVus listed to UL1598 standard for IP20 Dry / Damp and IP64 Wet locations. CCEA, Airtight and Title 24 JA8-2022 Listed. NEMA 410 compliant.

LIMITED WARRANTY

Manufacturer's Limited Warranty guarantees product(s) listed to be free from defects in material and workmanship under normal use and service for 1-year. LED and power supplies are warranted to operate with 70% of original flux and remain within a range of 3 duv for a period of 5-years. 10-year Lutron Advantage limited warranty available on Lutron equipped systems. Warranty period begins from the date of shipment by Seller.

[Consult website for full warranty terms and conditions.](#)

CHANGE LOG

- 01/12/2021: ADDED 2400K, 2700K-1800K WARM DIM AND 10 DEGREE OPTIC OFFERINGS.
- 08/12/2021: ADDED RM AND RR INSTALL TYPES FOR USE WITH ZERO-SIGHTLINE.
- 10/17/2022: REMOVED 90WA12H 3200K-1800K WARM DIM AND ADDED 90WA12H 3000K-1800K WARM DIM.
- 08/08/2023: UPDATED WITH NEW LED AND OPTIC SYSTEM.
- 07/15/2024: REMOVED L23 DRIVER OFFERING.
- 02/14/2025: UPDATED FINISH OFFERINGS.
- 05/06/2025: UPDATED WARM DIM OFFERINGS AND PERFORMANCE.



2 SERIES LED GEMINI

DIMMING COMPATIBILITY

PHILIPS DRIVER COMPATIBILITY

Power supply TR2 Manufacturer	Family/Model #
Lutron Electronics	DV-600P
Lutron Electronics	DVELV-303P
Lutron Electronics	NTELV-600
Lutron Electronics	MAELV-600
Lutron Electronics	SELV-300P
Lutron Electronics	DVLV-600P
Lutron Electronics	NFTU-5A
Lutron Electronics	CTCL-153P
Lutron Electronics	GL-600H
Lutron Electronics	S-600P
Lutron Electronics	PHPM
Power supply AN4 Manufacturer	Family/Model #
Lutron Electronics	DVTV plus PP-DV
Lutron Electronics	DVSCTV plus PP-DV
Lutron Electronics	DVSTV
Lutron Electronics	DVSCSTV
Lutron Electronics	QSGRJ-XP plus GRX-TVI
Lutron Electronics	QSGRJ-XE plus GRX-TVI
Lutron Electronics	QSGR-XE plus GRX-TVI
Lutron Electronics	NFTV plus PP-DV
Lutron Electronics	NTSTV
Lutron Electronics	RMJ-5T
Lutron Electronics	RMJS-8T
Lutron Electronics	FCJS-010
Leviton	IlumaTch IP7 series
Philips	Sunrise - SR1200ZTUNV

LUTRON DRIVER COMPATIBILITY

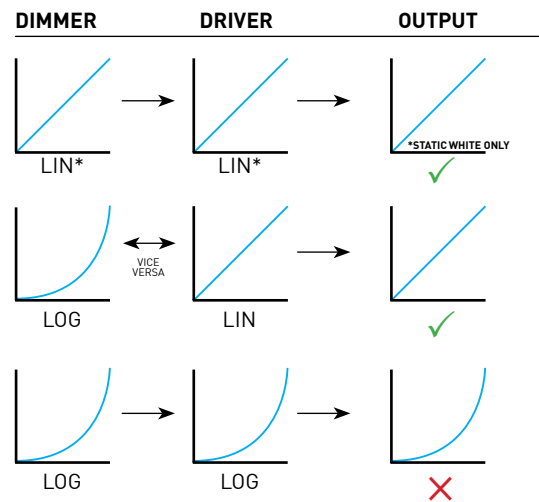
Power supply LH1 / LP1 Lutron Product Family	Part No.
PowPak Dimming Modules	RMJ-ECO32-DV-B
PowPak Dimming Modules	FCJ/FCJS-ECO
Energi Savr Nodes	QSN-1ECO-S
GRAFIK Eye QS control unit Homeworks QS control unit	QSN-2ECO-S
GRAFIK Eye QS control unit Homeworks QS control unit	QSGRJ-_E (wireless) QSGR-_E
Quantum Hub	QP2-_ _ 2C
Quantum Hub	QP2-_ _ 4C
Quantum Hub	QP2-_ _ 6C
Quantum Hub	QP2-_ _ 8C
Homeworks QS power module myRoom Plus power module	LQSE-2ECO-D



eldoLED DRIVER COMPATIBILITY

Power supply EA2 / LA2 Dimmer / Switch Control Manufacturer	Family/Model #
Busch-Jaeger	2112U-101
Jung	240-10
Leviton Lighting Controls	IP710-DLX
Lightolier Controls	ZP600FAM120
Lutron Electronics	Nova T® - NTFTV
Lutron Electronics	Divia® - DDTV
Lutron Electronics	Nova® - NFTV
Merten	5729
Pass & Seymour	CD4FB-W
The Watt Stopper	DCLV1
Sensor Switch	nIO EZ
Synergy	ISD BC
Power supply EA2 / LA2 Lighting Control Systems	Family/Model #
Lutron Electronics	GrafixEye® GRX-TVI w GRX3503
Lutron Electronics	Energy Savr Node™ - QSN-4T16-S
Lutron Electronics	TVM2 Module
Crestron®	GLX-DIMFLV8
Crestron®	GLXP-DIMFLV8
Crestron®	GLPAC-DIMFLV4-*
Crestron®	GLPAC-DIMFLV8-*
Crestron®	GLPP-DIMFLVEX-PM
Crestron®	GLPP-1DIMFLV2EX-PM
Crestron®	GLPP-1DIMFLV3EX-PM
Crestron®	DIN-A08
Crestron®	DIN-4DIMFLV4
Crestron®	CLS-EXP-DIMFLV
Crestron®	CLCI-1DIMFLV2EX
ABB	SD/S 2.16.1

ANALOG DRIVERS AND DIMMERS



LIN = LINEAR
 LOG = LOGARITHMIC
 *LIN-TO-LIN NOT COMPATIBLE FOR WARM-DIM