

ATOMOS™ 2 INT

ADJUSTABLE

A miniature downlight range offering impressive performance in an extremely small profile with a 2" aperture.

PROJECT NAME:	TYPE:
---------------	-------



ORDERING INFORMATION - FITTING

FITTING	FITTING TYPE	RATING	FITTING FINISH	BAFFLE FINISH	DOWNLIGHT TYPE	INSTALL TYPE	LUMEN PACKAGE	CCT	OPTIC	DRIVER	EFFECTS DEVICE
AZRS 2" Round Standard	F Flange Overlay	1 Dry / Damp (IP20)	WH White	WH White	AD Adjustable, 30° Max Tilt	E Export* (For export use, outside of USA)	13mm - 50mm MAX CEILING THICKNESS	24 2400K* *90+CRI Only	10 10°* (Uses 09H lumen package)	IP ELV / Triac, 1%	STANDARD MEDIA
AZSS 2" Square Standard	T Trimless Drywall W Trimless Millwork	2 Wet (IP44)	AB Architectural Bronze	AB Architectural Bronze	FD Fixed		8008D 80+ CRI Adj. / Fixed Lm delivered - 538	27 2700K	15 15°	ID DALI, LOG, 1%	4 Soft Focus Film* (Required for 10° optic)
			AG Satin Silver	AG Satin Silver			8009H 80+ CRI* *(For use with 10° Optic only)	30 3000K	25 25°	IN DALI, LIN, 1%	
			AU Cashmere Gold	AU Cashmere Gold			Adj. / Fixed Lm delivered - 322	35 3500K	35 35°		
			BB Burnt Bronze	BB Burnt Bronze			8012D 80+ CRI Adj. / Fixed Lm delivered - 920	40 4000K	50 50°	DD TUNABLE WHITE REMOTE (0.1%, 120-277V) eLdLED, DUALdrive DALI-2, LOG	ALTERNATE MEDIA
			BK Black	BK Black			9007D 90+ CRI Adj. / Fixed Lm delivered - 455		80 80°* * Requires -6 wide distribution film		0 No Media* (Not available for Wet Location or Warm Dim)
			PR Primer	PR Primer			9009H 90+ CRI* *(For use with 10° Optic only)		AZ Adjustable Zoom* *(12°, 30°, 36°, 42° and 48° beam spreads)		2 Honeycomb Louver* (Not available for Wet Location or Warm Dim)
			OO Trimless* *(Required for trimless)	CF Custom Finish* *(Consult Factory)			9010D 90+ CRI Adj. / Fixed Lm delivered - 779				3 Clear Film* (Not available for Warm Dim)
			CF Custom Finish* *(Consult Factory)								5 Linear Spread Film
							9005D 90+ CRI, Adj. / Fixed Lm delivered - 391	WL 2700K - 1800K	15 15° 25 25° 35 35° 50 50°		6 80° Wide Distribution Film* (Must be paired with 80° optic)
							9009D 90+ CRI, Adj. / Fixed Lm delivered - 668	WD 3000K - 1800K	80 80°* * Requires -6 wide distribution film		S Honeycomb Louver w/ Soft Focus Film
							9010D 90+ CRI, Warm Profile Adj. / Fixed Lm delivered - 694	TR 4000K - 1800K	15 15° 25 25° 35 35° 50 50°		C Honeycomb Louver w/ Clear Film* (Not available for Warm Dim)
							Cool Profile Adj. / Fixed Lm delivered - 611	TH 5000K - 2700K	80 80°* * Requires -6 wide distribution film		
							*ALL LM DELIVERED OUTPUTS REFLECT 3000K PAIRED WITH 15° OPTIC AND SOFT FOCUS FILM.				



PART NUMBER NOTES

- Fitting ships as e.g., A2RSFAD1AGAG-8012D27-15E-IP*0



ATOMOS2 INT ADJUSTABLE

ACCESSORIES

ALTERNATE EFFECTS DEVICES

Consult factory for additional configurations.

- CGL-AR** Clear Film*
*(Not available for Warm Dim. Consult factory for IP44 Wet locations.)
- SFL-AR** Soft Focus Film*
*(Consult factory for Wet locations)
- HCL-AR** Honeycomb Louver*
*(Not available for Warm Dim unless paired with Soft Focus Film. Not available for IP44 Wet location unless paired with film.)
- AW-AR** Asymmetric Film*
*(Consult factory for Wet locations)

INSTALLATION / REMOVAL TOOL

Required for installation. One provided for every 10 fixtures.

- A2-TOOL-INSTALL** Installation Tool

REPLACEMENT OPTICS

Interchangeable optics accessible through fitting aperture.

- RO-A-15-1** 15° optic*
*(Not available for Warm Dim)
- RO-A-25-1** 25° optic
- RO-A-35-1** 35° optic
- RO-A-50-1** 50° optic
- RO-A-AZ-1** Adjustable zoom optic*
*(24°, 30°, 36°, 42° and 48° beam spreads. Not available for Warm Dim or Tunable White.)

ADJUSTMENT TOOL

One provided for every 10 adjustable fixtures.

- TOOL-HEX-050** Adjustment Tool

ATOMOS2 INT ADJUSTABLE

STATIC WHITE PERFORMANCE - 3000K

LUMEN PACKAGE	WATTS	15° OPTIC SOFT FOCUS FILM		25° OPTIC SOFT FOCUS FILM		35° OPTIC SOFT FOCUS FILM		50° OPTIC SOFT FOCUS FILM		80° OPTIC WIDE DIST. FILM	
		DLVD.	LPW	DLVD.	LPW	DLVD.	LPW	DLVD.	LPW	DLVD.	LPW
8008D	6	538	90	534	89	472	79	501	84	431	72
8012D	12	920	77	912	76	807	67	857	71	779	65
9007D	6	455	76	452	75	400	67	424	71	365	61
9010D	12	779	65	773	64	684	57	726	61	624	52
9005D (27K-18K)	6	391	65	388	65	343	57	364	61	313	52
9009D (30K-18K)	12	668	55	663	55	587	49	623	52	535	45
9010DTR (18K-4K)	10	694	69	696	70	612	61	685	68	582	58
9010DTH (27K-5K)	10	611	61	613	61	539	54	603	60	512	51

LUMEN PACKAGE	WATTS	10° OPTIC SOFT FOCUS FILM	
		DLVD.	LPW
80S09H	9	322	36
90S09H	9	273	30

LUMEN PACKAGE	WATTS	24° Zoom - Position 1 SOFT FOCUS FILM		30° Zoom - Position 2 SOFT FOCUS FILM		36° Zoom - Position 3 SOFT FOCUS FILM		42° Zoom - Position 4 SOFT FOCUS FILM		48° Zoom - Position 5 SOFT FOCUS FILM	
		DLVD.	LPW	DLVD.	LPW	DLVD.	LPW	DLVD.	LPW	DLVD.	LPW
8008D	6	469	78	473	79	446	74	427	71	422	70
8012D	12	803	67	810	67	763	64	731	61	721	60
9007D	6	398	66	401	67	378	63	362	60	357	60
9010D	12	680	57	686	57	646	54	619	52	611	51

FINISH LIGHT LOSS FACTOR

BAFFLE FINISH	LLF
WHITE	1.00
CASHMERE GOLD	0.96
SATIN SILVER	0.95
BURNT BRONZE	0.93
BLACK	0.92

OUTPUT MULTIPLIER

CCT	CCT SCALE
2400K	0.76
2700K	0.95
3000K	1.00
3500K	1.05
4000K	1.06

LIGHT LOSS FACTOR

NO MEDIA	1.11
SOFT FOCUS	1
CLEAR	1
HONEYCOMB	0.77
HONEYCOMB W/ SOFT FOCUS	0.77
LINEAR SPREAD	0.76
HONEYCOMB W/ CLEAR	0.76

TUNABLE WHITE MULTIPLIER

CCT	5000K-2700K	4000K-1800K
5000K	1.16	-
4000K	1.08	1.14
3500K	1.04	1.07
3000K	1.00	1.00
2700K	0.96	0.92
2400K	-	0.84
1800K	-	0.69

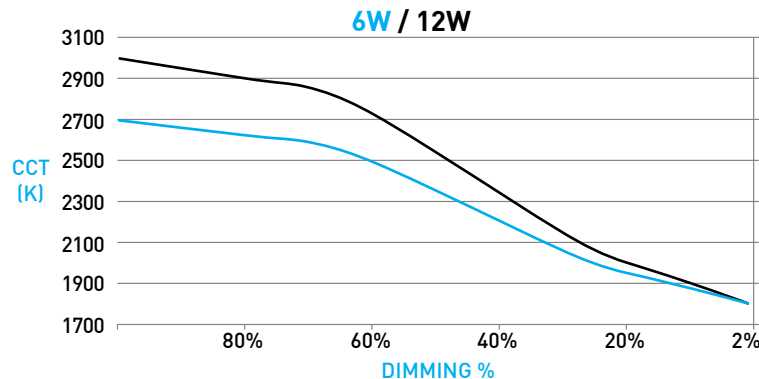
Part L 75+ LPW configurations comply with residential Part L
95+ LPW configurations comply with commercial Part L

WARM DIM PERFORMANCE - SOFT FOCUS FILM - 15° OPTIC

UNIVERSAL ADJUSTABLE & FIXED

9009D 3000K - 1800K	Full on 100%	Dimmed to 80%	Dimmed to 70%	Dimmed to 50%	Dimmed to 20%	Dimmed to 10%	Dimmed to 2%
CCT (K)	3000	2900	2850	2550	2000	1900	1800
Light Output (Lm)	668	534	467	334	133	66	13
Power (W)	12	9.6	8.4	6	2.4	1.2	0.2
Efficacy (LPW)	55	55	55	55	55	55	55

9005D 2700K - 1800K	Full on 100%	Dimmed to 80%	Dimmed to 70%	Dimmed to 50%	Dimmed to 20%	Dimmed to 10%	Dimmed to 2%
CCT (K)	2700	2160	1890	1350	540	270	54
Light Output (Lm)	391	313	274	196	78	39	8
Power (W)	6	4.8	4.2	3	1.2	0.6	0.1
Efficacy (LPW)	65	65	65	65	65	65	65



ATOMOS2 INT ADJUSTABLE

DOWNLIGHT

- A TRIM**
Adjustable - Hot-aim tilt up to 30° and 362° rotation. Offset pivot point optimizes center beam. Max ceiling thickness for 30° tilt is 35mm.
- B STANDARD OPTICS**
Proprietary optic integrates Reflection, Refraction and TIR offering 15°, 25°, 35°, and 50° beams. 25° optic used for optimal accent washing.
- C1 ADJUSTABLE ZOOM OPTIC**
Proprietary optic integrates Refraction and TIR. Allows precision tuning to beam spreads of 24°, 30°, 36°, 42°, and 48°.
- C2 10° FIELD REDUCER**
Included with 10° optic.
- D HONEYCOMB LOUVER**
Clips onto optic and adjusts with fitting.
- E EFFECTS DEVICES**
Soft focus film standard and sealed to baffle on Wet locations. Fitting is limited to 1 film and the honeycomb louver.
- F BAFFLE**
Die-cast removable baffle provides easy access to tilting mechanism and features 45° glare cutoff. Minimizes aperture glare and conceals view into housing or ceiling; includes silicone gasket. Square baffle transitions from square to round.

FITTING PROFILES

- **FLANGE OVERLAY**
Installed after ceiling is complete. Requires 59mm diameter cutout. Provides 4mm total contractor (goof) allowance with 5mm flange. Thickness measures 1.5mm
- **TRIMLESS DRYWALL**
Installs totally flush with the ceiling with no visible trim. Appliqué includes screws for mounting and has 1.5mm plaster stop. Not recommended for stucco applications.
- **TRIMLESS MILLWORK**
Installs totally flush with the ceiling with no visible trim. Utilizes the A2RS or A2SS standard configuration installed behind the ceiling. See additional information on page 4.
- **TRIMLESS MILLWORK SPACERS**
Ship with fitting when trimless millwork is specified. Must be installed flush with finished millwork mounting surface. Includes (1) 1.5mm spacer and (8) 3mm spacers.

ADJUSTMENT

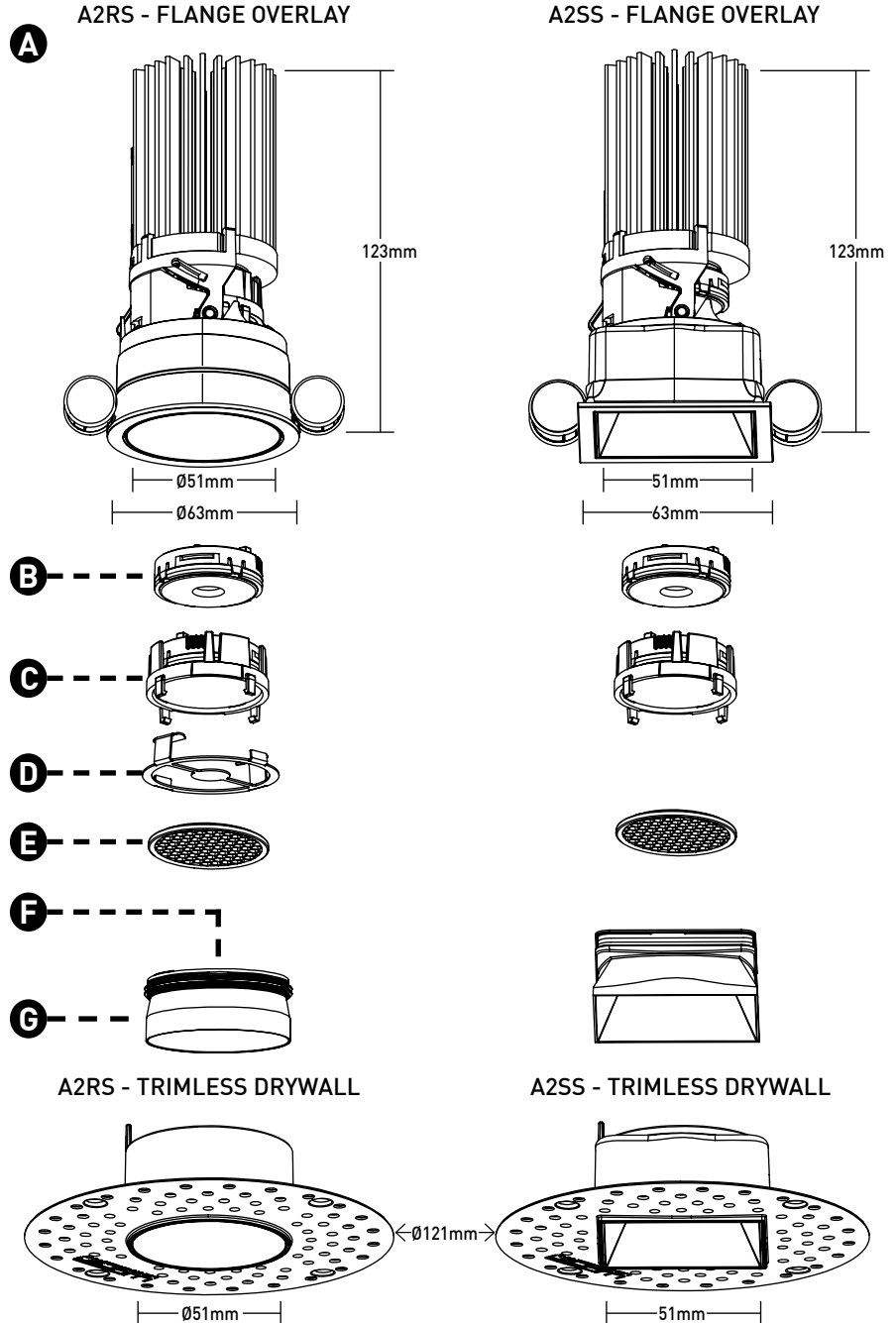
- **ADJUSTMENT TOOL**
Minimum 1 provided for every 10 fittings. Utilizes a 0.050" Allen key driver.



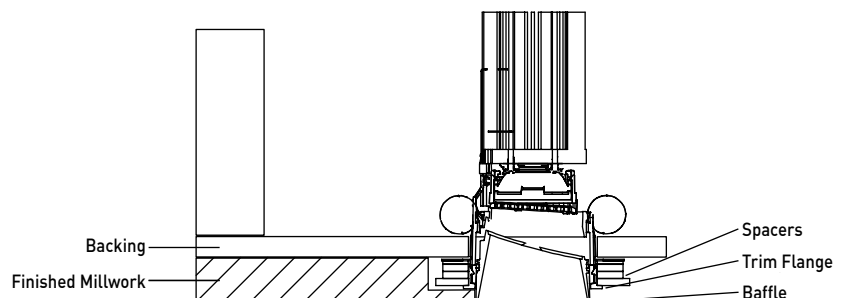
TILT CHART

CEILING THICKNESS	≤38mm	≤41mm	≤44mm	≤47mm	≤50mm
MAX TILT	30°	24°	18°	15°	13°

DIMENSIONS / DRAWINGS



TRIMLESS MILLWORK DETAIL (EXAMPLE)

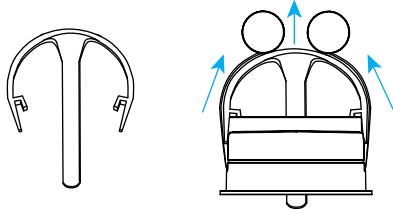


ATOMOS2 INT ADJUSTABLE

INSTALLATION

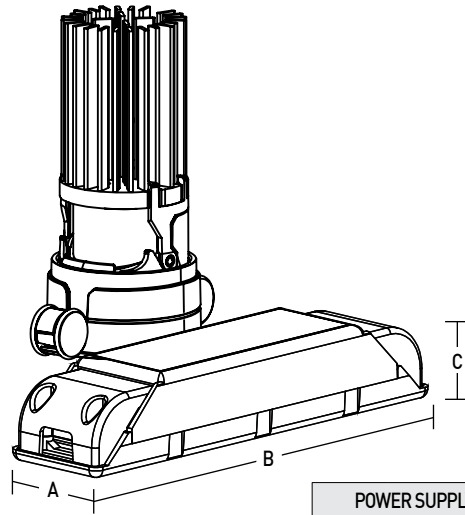
INSTALLATION TOOL

Minimum 1 provided for every 10 flange overlay and trimless millwork fixtures.



DIMENSIONS / DRAWINGS

H



POWER SUPPLY DIMENSIONS			
Model	A	B	C
IP	32mm	83mm	25mm
ID	42mm	161mm	31mm
IN			

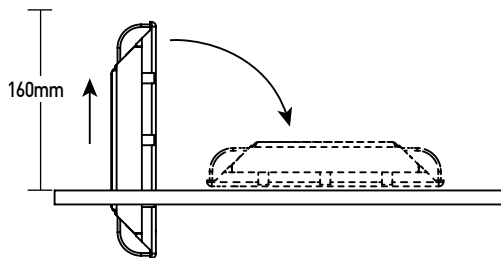
POWER SUPPLY

H

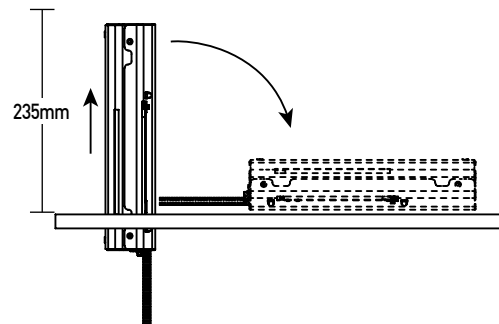
POWER SUPPLY

- Minimum 160mm (ID / IN) or 235mm (IP) clearance from top of the ceiling plane to allow for driver installation and servicing.
- Minimum setback from combustible and non-combustible materials of 168mm radius from fitting centerline.
- Minimum 76mm setback from surfaces of power supply / junction box.
- Minimum additional 76mm setback from insulation material with max R-Value 30 from any surface of downlight fitting assembly.
- Minimum additional 152mm setback from polycell spray foam insulation with max R-Value 60 from any surface of downlight fitting assembly.
- Consult factory for spacing requirements for any installations exceeding R-Value 60.
- Do not install in environments where ambient temperatures exceed 40°C (104°F).

ID / IN DRIVER REQUIRES MINIMUM 160MM CLEARANCE ABOVE CEILING



IP DRIVER REQUIRES MINIMUM 235MM CLEARANCE ABOVE CEILING



ATOMOS2 INT ADJUSTABLE

TECHNICAL

CONSTRUCTION

Fitting: Painted finishes are granulated powder coat.

Appliqué: High strength fiber reinforced polymer.

STATIC WHITE LED

2-step MacAdam ellipse LED module available in 80+ and 90+ CRI configurations in color temperatures of 2700K, 3000K, 3500K and 4000K. 3-step MacAdam ellipse LED module available in 90+ CRI configuration in color temperature of 2400K. Average rated lamp life: 50,000 hours. LED and driver assemblies are field-replaceable.

WARM DIM LED

3-step MacAdam ellipse warm dim LED module available in 90+ CRI configuration. 3000K or 2700K at full brightness, warming to 1800K at full dim. Average rated lamp life of 50,000 hours. LED and driver assemblies are field-replaceable.

TUNABLE WHITE LED

3-step MacAdam ellipse tunable white LED module available in 90+ CRI configuration. Features tuning range of 2700K to 5000K and 1800K to 4000K. Average rated lamp life of 50,000 hours. Driver assemblies are field-replaceable.

POWER SUPPLY PERFORMANCE AND DIMMING INFORMATION

Power Supply	ELV		DALI	
	IP	ID	IN	DD
Minimum °C	-10 °C	-20 °C	-20 °C	-20 °C
Maximum °C	40 °C	40 °C	40 °C	40 °C
Dimming %	1.0%	1.0%	1.0%	0.1%

LISTING

CE listed for IP20 Dry / Damp and IP44 Wet locations. Patent Pending.

PART L

Part L compliant for all 75+ LPW residential and 95+ LPW commercial configurations.

WARRANTY

Manufacturer's 1-year warranty guarantees product(s) listed to be free from defects in material and workmanship under normal use and service. 5-year warranty on LED and power supply to operate with 70% of the original flux and remain within a range of 3 duv.

CHANGE LOG

- 05/31/2023: UPDATED ROUND BAFFLE TO FLAT BAFFLE DESIGN.
- 02/07/2024: ADDED 2400K, LOW WATTAGE, AND TUNABLE WHITE OFFERINGS
- 2/15/2024: PART L COMPLIANCE ADDED
- 3/15/2024: ADDED 10 DEGREE FIELD REDUCER, UPDATED 10 DEGREE PERFORMANCE DATA.

