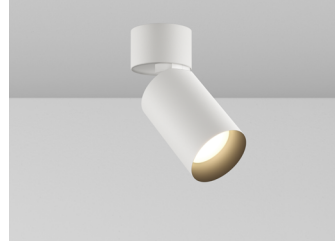


CYLINDER 0 SURFACE MOUNT

Our best-selling cylinders keep getting better. Adjustable, fixed, and wallwash are all offered in a broad range of sizes, with lumens from 500 to almost 5000lm, standard 90° tilt, and more than a dozen finish options. Now, there's a fixture for anywhere you need to illuminate anything.

PROJECT NAME:	TYPE:
---------------	-------



ORDERING INFORMATION



Quick Ship Product. All rough in components ship within 10 days up to quantities of 100.



JA8-2022 COMPLIANCE INDICATED BY SHADING

CYLINDER	FIXTURE	RATING	CYLINDER FINISH	BAFFLE FINISH	CRI / WATTAGE	CCT	OPTIC(UGR)	MEDIA	POWER SUPPLY	MOUNTING	
CY0X											
CY0X 1.90" Ø	AD 90° Adjustable AS 90° Adjustable Shallow Canopy FB Fixed WW Wallwash Fixed	1 Dry/Damp (IP30) 2 Wet (IP65)	POWDERCOAT FINISHES	POWDERCOAT FINISHES	STATIC WHITE			STANDARD MEDIA	REMOTE (120V)	ROUGH-IN	
			WH White	WH White	80S13D 80+CRI, 13W 1198 lm delivered	24 2400K* *(90+CRI only)	10 10°* (<10) *(Uses 09H Wattage)	0 No Lens* *(Not available for Warm Dim or Wet Location)	1TR Philips Xitanium 2%, Forward / Reverse	JBMP 4" Sq. or 4/0 Junction Box Mounting Plate	
			AG Satin Silver	AG Satin Silver	90S13D 90+CRI, 13W 1015 lm delivered	27 2700K	15 15° (<10)	4 Soft Focus Lens (SFL)* *(Required for 10° optic)	1L2 Lutron Hi-Lume 1%, 2-Wire Electronic Forward / Reverse		FINISH OUT
			AU Cashmere Gold	AU Cashmere Gold	95S13D 95+CRI, 13W 914 lm delivered	30 3000K	25 25° (<10)	50 50° (<13)	ALTERNATE MEDIA	SMK3 3/0 Surface Mount Kit*	
			AB Architectural Bronze	AB Architectural Bronze		35 3500K	35 35° (<13)	WW Wallwash* *(Required for WW)	0 No Lens* *(Not available for Warm Dim or Wet Location)	REMOTE (120-277V)	SMK4 4/0 Surface Mount Kit* *(Available in powdercoat finishes. Dry/Damp rated.)
			BB Burnt Bronze	BB Burnt Bronze		40 4000K	50 50° (<13)	AZ Adjustable Zoom* *(AD/AS/FB only. 24°, 30°, 42°, and 48° beam spreads)	URA 0-10V Analog		
			BK Black	BK Black					2 Honey Comb Louver (HCL)* *(Not available for Warm Dim or Wet Location)	ULH Lutron Hi-Lume Ecosystem, 1% Fade to Black	
			CF Custom Finish* *(Consult Factory)	CF Custom Finish* *(Consult Factory)					3 Clear Glass Lens (CGL)* *(Not available for Warm Dim)	UAN Philips Xitanium 1%, 0-10V, LOG	
			ALUMINA FINISHES	ALUMINA FINISHES					5 Frosted Glass Lens (FGL)	ULN Philips Xitanium 1%, 0-10V, LIN	
			01 Brushed Obsidian	01 Brushed Obsidian			WARM DIM		6 Frosted Soft Focus Lens (FSFL)	UEG Philips Xitanium 0.1%, 0-10V, LOG	
			02 Matte Obsidian	02 Matte Obsidian			90W13D 90+CRI, 13W Incandescent Profile 764 lm delivered	WL 2700K - 1800K	7 Frosted Linear Spread Lens (FLSL)	UEN eldoLED, 0.1%, 0-10V, LIN	
			03 Brushed Dark Patinated Bronze	03 Brushed Dark Patinated Bronze			Halogen Profile 795 lm delivered	WD 3000K - 1800K	C Clear Glass Film w/ Honeycomb Louver	UED eldoLED, 0.1%, DALI-2, LOG	
			04 Matte Dark Patinated Bronze	04 Matte Dark Patinated Bronze			TUNABLE WHITE		5 Soft Focus Film w/ Honeycomb Louver	ULD eldoLED, 0.1%, DALI-2, LIN	
			05 Brushed Aged Aluminum	05 Brushed Aged Aluminum			90T10D 90+CRI, 10W Warm Profile 660 lm delivered	TR 4000K - 1800K	W Wallwash* *(Required for WW)	UAS1/Athena Control	
			06 Matte Aged Aluminum	06 Matte Aged Aluminum			Cool Profile 581 lm delivered	TH 5000K - 2700K		UASR eldoLED, 0.1% 120-277V*	
			07 Brushed Cast Brass	07 Brushed Cast Brass						UCS1/Casambi Control	
			08 Matte Cast Brass	08 Matte Cast Brass						UCSR eldoLED, 0.1% 120-277V*	
			09 Brushed Light Patinated Bronze	09 Brushed Light Patinated Bronze						UCSR eldoLED, 0.1% 120-277V*	
			10 Matte Light Patinated Bronze	10 Matte Light Patinated Bronze						UCSR eldoLED, 0.1% 120-277V*	
						FINISH IMAGES ON PAGE 2	FINISH IMAGES ON PAGE 2				TUNABLE WHITE REMOTE (0.1%, 120-277V)
					*SEE PAGE 4 FOR DETAILED PERFORMANCE CONFIGURATIONS AND WARM DIM PROFILE COMPARISON.		*SEE PAGE 4 FOR UGR VALUES	UDD eldoLED, DUALdrive DALI-2, LOG			
								UDG eldoLED, DUALdrive 0-10V, LOG			
								UDN eldoLED, DUALdrive 0-10V, LIN			
								UAD1/ Athena Control,			
								UADR eldoLED, DUALdrive*			
								UCD1/ Casambi Control,			
								UCDR eldoLED, DUALdrive*			
								*Includes Node. Extended lead time, consult factory. UADR/UCDR includes shunt.			

PART NUMBER NOTES

- CY0X ships as e.g., CY0XAD1WHWH80S13D305041RMT
- Remote driver ships as e.g., PS-RMT-80S13D-1L23
- Mounting part numbers listed on page 6

CYLINDER 0 SURFACE MOUNT

ACCESSORIES

REPLACEMENT MEDIA

Dry / Damp location only, consult factory for wet location replacements

- SFL-CY0X-03** Soft Focus Lens
- HCL-CY0X-03** Honeycomb Louver *

*(Not available for Warm Dim)

- CGL-CY0X-03** Clear Glass Lens *

*(Not available for Warm Dim)

- FGL-CY0X-03** Frosted Glass Lens
- FSFL-CY0X-03** Frosted Soft Focus Lens
- FLSL-CY0X-03** Frosted Linear Spread Lens
- CGL-HCL-CY0X-03** Clear Glass Film W/ Honeycomb Louver
- SFL-HCL-CY0X-03** Soft Focus Film W/ Honeycomb Louver

STATIC WHITE REPLACEMENT OPTICS

- RO-35-15-S** 15° optic
- RO-35-25-S** 25° optic
- RO-35-35-S** 35° optic
- RO-35-50-S** 50° optic

WARM DIM REPLACEMENT OPTICS

- RO-35-25-W** 25° optic
- RO-35-35-W** 35° optic
- RO-35-50-W** 50° optic

TUNABLE WHITE REPLACEMENT OPTICS

- RO-35-15-T** 15° optic
- RO-35-25-T** 25° optic
- RO-35-35-T** 35° optic
- RO-35-50-T** 50° optic

EMERGENCY LIGHTING - REMOTE MOUNT ONLY

During disruption of main power, emergency battery inverter provides temporary 120V or 277V to fixture.

- EMB-S-25-120/277-LEDX** 25 watt max capacity, 120 or 277 VAC 60Hz
- EMB-S-100-120-LEDX** 100 watt max capacity, 120 VAC 60Hz, 0-10V dimmable
- EMB-S-100-277-LEDX** 100 watt max capacity, 277 VAC 60Hz, 0-10V dimmable
- EMB-S-250-120/277-LEDX** 250 watt max capacity, 120 or 277 VAC 60Hz

***SHUNT REQUIRED FOR USE WITH ATHENA AND CASAMBI CONTROLS, CONSULT FACTORY FOR DETAILS.**

POWDERCOAT FINISHES

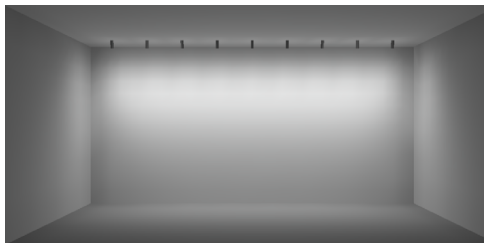


ALUMINA FINISHES BY LUCIFER LIGHTING™



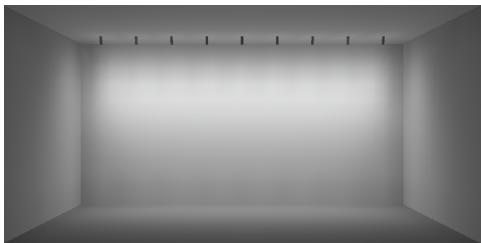
CYLINDER 0 SURFACE MOUNT

WALLWASH DESIGN GUIDE



30" SETBACK / 30" ON CENTER SPACING

- 10FT CEILING SHOWN / 8-12FT IDEAL
- AVERAGE FC: 21.92
- MAX / MIN: 4.65
- 9 FIXTURES / 25FT WALL SHOWN



RECOMMENDED

36" SETBACK / 36" ON CENTER SPACING

- 10FT CEILING SHOWN / 8-12FT IDEAL
- AVERAGE FC: 17.19
- MAX / MIN: 4.90
- 9 FIXTURES / 30FT WALL SHOWN



42" SETBACK / 42" ON CENTER SPACING

- 10FT CEILING SHOWN / 8-12FT IDEAL
- AVERAGE FC: 15.81
- MAX / MIN: 3.98
- 9 FIXTURES / 35FT WALL SHOWN

ADDITIONAL SETBACKS AND SPACINGS

ON CENTER SPACING	SETBACK		
	30"	36"	42"
30"	SHOWN ABOVE	AVERAGE FC: 20.07 MAX / MIN: 5.33	AVERAGE FC: 18.50 MAX / MIN: 6.02
36"	AVERAGE FC: 16.14 MAX / MIN: 5.60	SHOWN ABOVE	AVERAGE FC: 18.13 MAX / MIN: 4.24
42"	AVERAGE FC: 14.07 MAX / MIN: 5.45	AVERAGE FC: 14.94 MAX / MIN: 4.50	SHOWN ABOVE

***ALL DATA REFLECTS 90S13D WATTAGE PACKAGE**

CYLINDER 0 SURFACE MOUNT

STATIC WHITE PERFORMANCE - 3000K

LUMEN PACKAGE	WATTAGE	10° OPTIC SOFT FOCUS LENS		15° OPTIC SOFT FOCUS LENS		25° OPTIC SOFT FOCUS LENS		35° OPTIC SOFT FOCUS LENS		50° OPTIC SOFT FOCUS LENS		WALLWASH WALLWASH LENS	
		DELIVERED	LPW	DELIVERED	LPW	DELIVERED	LPW	DELIVERED	LPW	DELIVERED	LPW	DELIVERED	LPW
80S13D/09H	13	348	27	1205	92	1198	92	1126	86	1166	89	915	70
90S13D/09H	13	300	33	1021	78	1015	78	954	73	988	76	775	59
95S13D/09H	13	259	20	919	70	914	70	859	66	889	68	697	53
90W13DL (2700K-1800K)	13	-	-	-	-	764	58	708	54	736	56	489	38
90W13DD (3000K-1800K)	13	-	-	-	-	795	61	739	56	760	58	511	39
90T10DR (4000K-1800K)	10	-	-	649	67	660	68	609	63	660	68	514	53
90T10DH (5000K-2700K)	10	-	-	571	59	581	60	536	55	581	60	453	47

OUTPUT MULTIPLIER	
CCT	CCT SCALE
2400K	0.76
2700K	0.95
3000K	1.000
3500K	1.05
4000K	1.06

MEDIALIGHT LOSS FACTOR	
MEDIA	LIGHT LOSS FACTOR
No Lens	1.05
CGL	0.98
SFL	1.00
FGL	0.86
FSFL	0.86
FLSL	0.80
HCL	0.73
SFL+HCL	0.73

TITLE 24 COMPLIANT JA8-2022 INDICATED BY SHADING

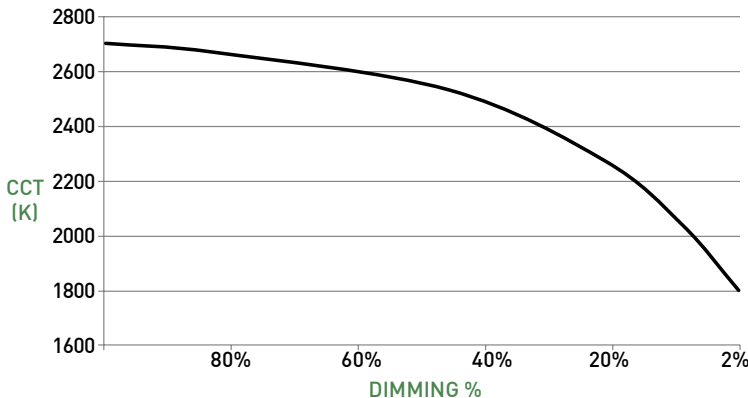
UNIFIED GLARE RATING					
10° OPTIC SOFT FOCUS FILM	15° OPTIC SOFT FOCUS LENS	25° OPTIC SOFT FOCUS LENS	35° OPTIC SOFT FOCUS LENS	50° OPTIC SOFT FOCUS LENS	WALLWASH WALLWASH LENS
<10	<10	<10	<13	<13	>19

TUNABLE WHITE MULTIPLIER		
CCT	5000K-2700K	4000K-1800K
5000K	1.16	-
4000K	1.08	1.14
3500K	1.04	1.07
3000K	1.00	1.00
2700K	0.96	0.92
2400K	-	0.84
1800K	-	0.69

WARM DIM PERFORMANCE - SOFT FOCUS LENS - 25° OPTIC

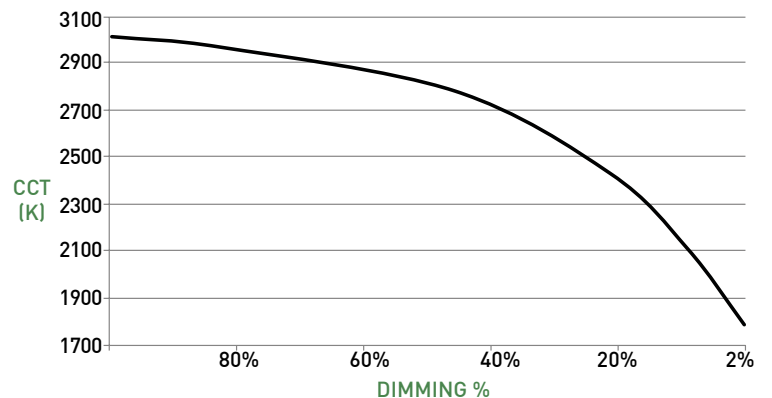
INCANDESCENT DIMMING PROFILE

90W13DL 2700K - 1800K	Full on 100%	Dimmed to 80%	Dimmed to 70%	Dimmed to 50%	Dimmed to 20%	Dimmed to 10%	Dimmed to 2%
CCT (K)	2700	2650	2620	2520	2180	1950	1800
Light Output (Lm)	764	611	535	382	153	76	15
Power (W)	13	10	9	7	3	1.3	0.3
Efficacy (LPW)	58	58	58	58	58	58	58



HALOGEN DIMMING PROFILE

90W13DD 3000K - 1800K	Full on 100%	Dimmed to 80%	Dimmed to 70%	Dimmed to 50%	Dimmed to 20%	Dimmed to 10%	Dimmed to 2%
CCT (K)	3000	2950	2920	2775	2375	2000	1800
Light Output (Lm)	795	636	557	398	159	80	16
Power (W)	13	10	9	7	3	1.3	0.3
Efficacy (LPW)	61	61	61	61	61	61	61

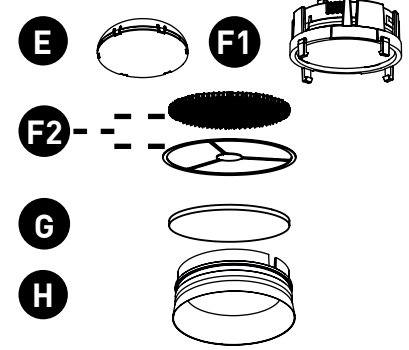
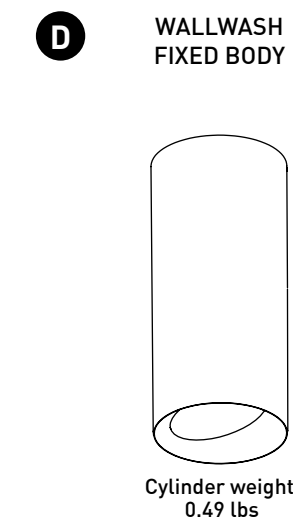
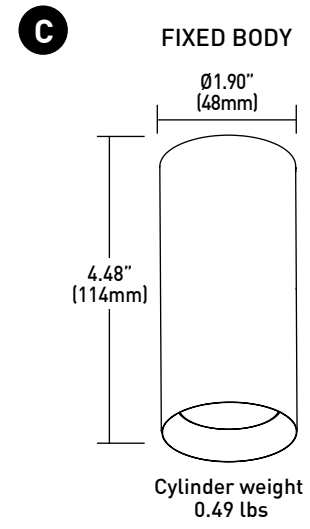
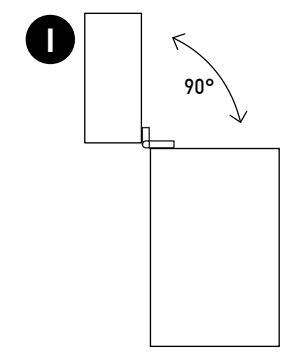
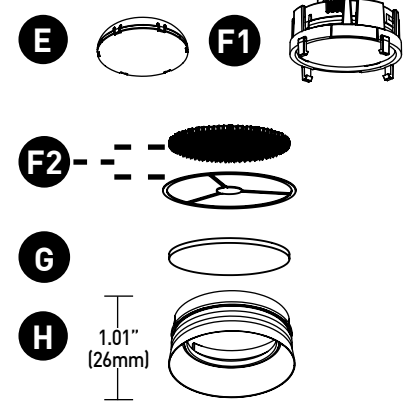
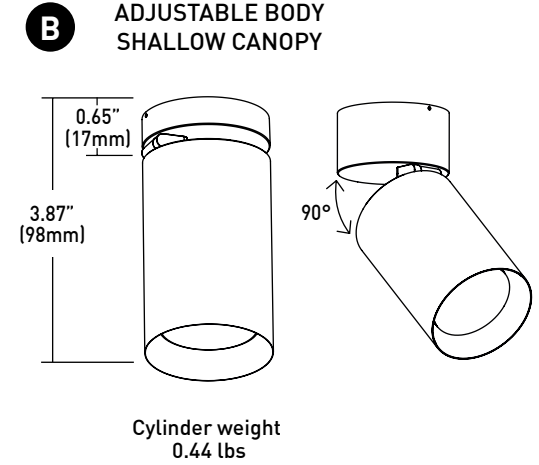
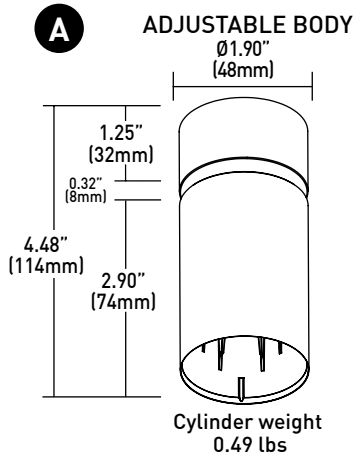


CYLINDER 0 SURFACE MOUNT

CYLINDER ASSEMBLY

- A ADJUSTABLE - STANDARD CANOPY**
Aluminum fixture with 1.25" (32mm) depth canopy. Accommodates flat and sloped ceiling conditions. Provides 90° tilt and 365° rotation, concealing mounting hardware. Remote driver only.
- B ADJUSTABLE - SHALLOW CANOPY**
Canopy accommodates flat and slope ceiling conditions. Conceals hidden mounting hardware. "AS" (90° tilt, 365° rotation) canopy features 0.65" (17mm) tall canopy, reducing overall height. Requires remote power supply.
- C FIXED BODY**
Body with integrated heat sink and LED. Conceals mounting hardware. Remote driver only.
- D WALLWASH FIXED BODY**
- E OPTICS**
Robust light engine with optimized optic pairing integrates Reflection, Refraction, and TIR offering 10°, 15°, 25°, 35° & 50° beams.
- F1 ADJUSTABLE ZOOM OPTIC**
Proprietary optic integrates Refraction and TIR. Allows precision tuning to beam spreads of 24°, 30°, 36°, 42°, and 48°. Not available for Warm Dim.
- F2 10° FIELD REDUCER**
Included with 10° optic. Reduces field angle by 30%.
- G MEDIA**
Cylinder accepts 2 media; soft focus lens, no lens, or wallwash lens standard depending on fixture type. Sealed in place for Wet locations.
- H BAFFLE**
Die-cast baffle minimizes aperture glare and conceals view into fixture.
- I WALL-MOUNT**
Cylinder may be wall mounted using any mounting option.

DIMENSIONS / DRAWINGS

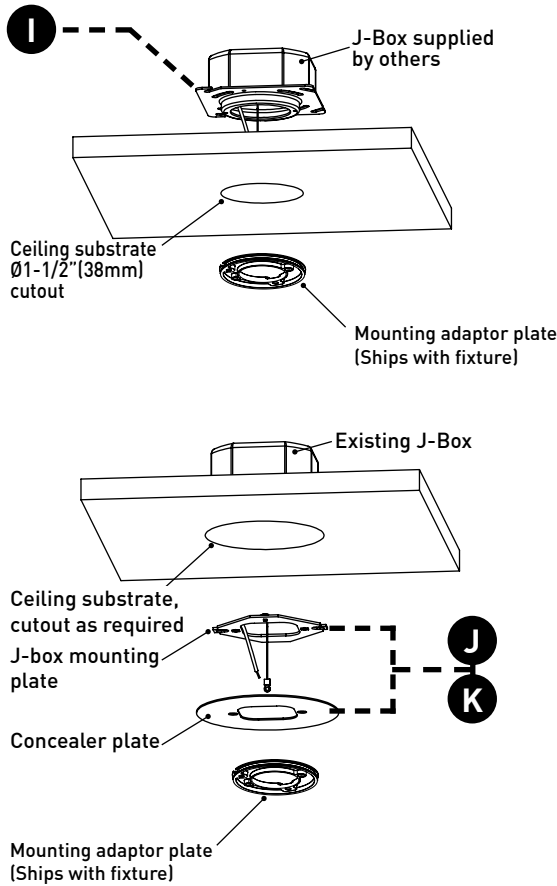


CYLINDER 0 SURFACE MOUNT

MOUNTING

- I JBMP**
Mounting plate (concealed) for standard 4" square or 4" 4/0 j-box. To be installed during rough-in prior to substrate. Fixture to mount flush with minimalist transition to ceiling.
Part Number - CY0X-JBMP
- J SMK3**
Surface mount kit includes mounting plate and 4" concealer plate that installs between fixture and standard 3" 3/0 j-box for existing applications where standard j-box cutout is to be concealed.
Part Number - CY0X-SMK-3/0-(FINISH)
- K SMK4**
Surface mount kit includes mounting plate and 5" concealer plate that installs between fixture and standard 4" 4/0 j-box for existing applications where standard j-box cutout is to be concealed.
Part Number - CY0X-SMK-4/0-(FINISH)

DIMENSIONS / DRAWINGS

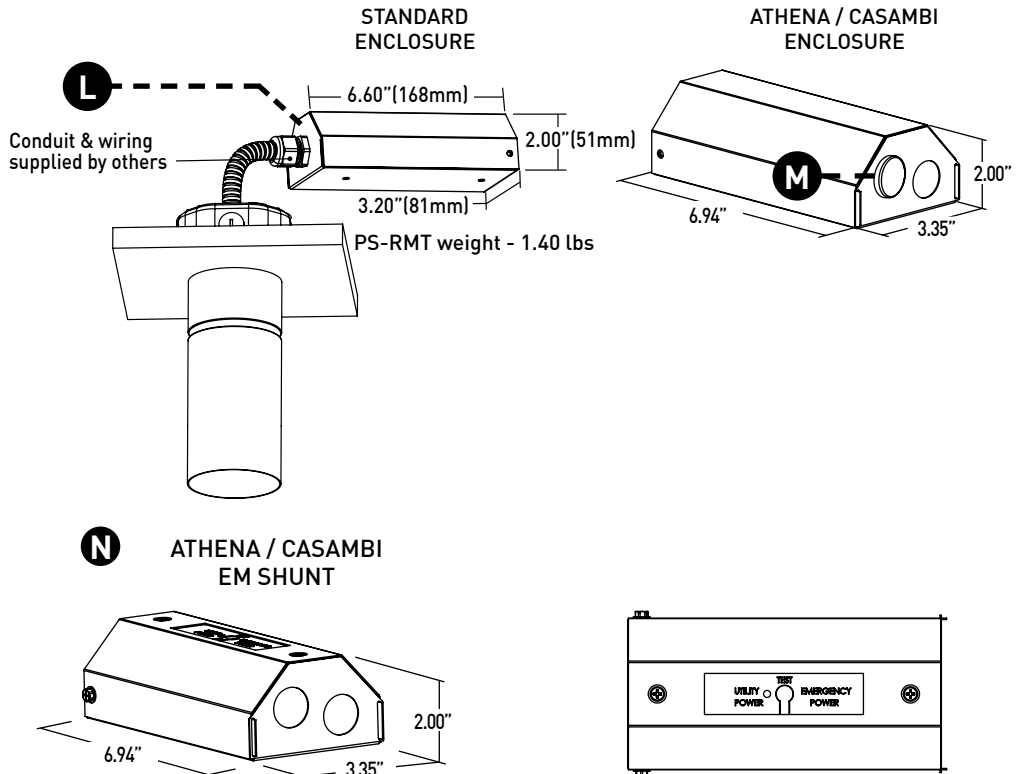


MOUNTING NOTES

- CY0X-JBMP and CY0X-SMK-3/0 & 4/0 not recommended for use with pancake style j-box.

REMOTE POWER SUPPLY

- L PS-RMT**
Remote power supply must be mounted in accessible area. CY0X-JBMP mounting accessory still required. Consult page 8 for dimming compatibility list. Consult install guide for complete details of suitable controls, wiring diagrams, and maximum allowable secondary run lengths between PS-RMT and cylinder.
PS-RMT weight - 1.40 lbs
- M ATHENA / CASAMBI CONTROL**
Controls integrated into housing or remote driver assembly. All equipment is serviceable.
Athena Model Numbers: A-WN-D01-RF-BL & DFC-OEM-DBI
Casambi Model Number: BT-S1E1-5400
- N ATHENA / CASAMBI EM SHUNT**
Included with drivers specified as ASR, ADR, CSR, or CDR. One required for each wireless EM fixture, requires class 2 control wiring between fixture and shunt. Features integrated test switch.
Model Number: PS-RMT-SHUNT



CYLINDER 0 SURFACE MOUNT

TECHNICAL

CONSTRUCTION

Cylinder: Machined aluminum body with integrated heat sink; painted finishes are granulated powder coat. Alumina finishes are anodized aluminum.
Remote Power Supply: 22 Gauge galvanized steel.

CHANGE LOG

1.03/15/2024: ADDED 10 DEGREE FIELD REDUCER, UPDATED 10 DEGREE PERFORMANCE DATA.

STATIC WHITE LED

2-step MacAdam ellipse LED module available in 80+, 90+ and 95+ CRI configurations in color temperatures of 2700K, 3000K, 3500K and 4000K.
 3-step MacAdam ellipse LED module available in 90+ CRI configuration in color temperature of 2400K. Average rated lamp life: 50,000 hours. LED and driver assemblies are field-replaceable.

WARM DIM LED

3-step MacAdam ellipse warm dim LED module available in 90+ CRI configuration 3000K or 2700K at full brightness, warming to 1800K at full dim. Average rated lamp life of 50,000 hours. LED and driver assemblies are field-replaceable.

TUNABLE WHITE LED

3-Step MacAdam ellipse tunable white LED module available in 90+ CRI configuration. Features tuning range of 2700K to 5000K and 1800K to 4000K. Average rated lamp life of 50,000 hours. Driver assemblies are field-replaceable.

POWER SUPPLY PERFORMANCE AND DIMMING INFORMATION

	PHASE			0-10V						ECO		DALI			ATHENA	CASAMBI	
Power Supply	1RE	1TR	1L2	URA	UAN	ULN	UEG	UEN	UDG	UDN	UED	ULD	ED1	LD1	UDD	UAS/UAD	UCS/UCD
Minimum °C	-20 °C	-20 °C	0 °C	-20 °C	-20 °C	-20 °C	-20 °C	-20 °C	-20 °C	-20 °C	-20 °C	-20 °C	-20 °C	-20 °C	-20 °C	0 °C	-20 °C
Maximum °C	40 °C	40 °C	40 °C	40 °C	40 °C	40 °C	40 °C	40 °C	40 °C	40 °C	40 °C	40 °C	40 °C	40 °C	40 °C	40 °C	40 °C
Dimming %	1.0%	2.0%	1.0%	1.0%	1.0%	1.0%	0.1%	0.1%	0.1%	0.1%	0.1%	0.1%	0.1%	0.1%	0.1%	0.1%	0.1%

Note: For 1TR, 1L2, ULH, UAN, ULN, UEG and UEN drivers consult chart on page 7 to confirm appropriate dimming curve for compatibility with selected control.

MAXIMUM ALLOWABLE REMOTE DRIVER WIRING DISTANCES

DRIVER	WIRE AWG				
	12	14	16	18	20
URA, 1RE	-	164'	105'	66'	40'
1TR, UAN, ULN	285'	180'	113'	71'	45'
1L2, ULH	60'	40'	25'	15'	-
UEG, UEN, UED, U UEG, UEN, UED, ULD, DD1, DG1, DN1, UAS, UCS, UAD, UCD	-	-	118'	72'	46'

WALLWASH SPACING

Recommended fixed spacing is 36" (914mm) on center spacing with 48" (1219mm) setback from wall plane.

MOUNTING

Cylinder is supplied with a mounting adaptor plate, which integrates with required additional mounting accessories specified separately according to field application conditions, providing a minimalist transition from standard 4/0 or 4" square junction boxes and accommodating ceiling thicknesses of 0.44" (12mm) to 0.75" (19mm).

LISTING

cTUVus listed to UL1598 standard for Dry / Damp (IP30) and Wet (IP65) location. Title 24 JA8-2022 Listed. NEMA 410 Compliant. Buy American Act compliant.

DECLARE

LBC Red List Approved.

WARRANTY

Manufacturer's 1-year warranty guarantees product(s) listed to be free from defects in material and workmanship under normal use and service. 5-year warranty on LED and power supply to operate with 70% of the original flux and remain within a range of 3 duv. 10-year Lutron Advantage limited warranty available on Lutron equipped systems. Warranty period begins from the date of shipment by Seller. Consult [website](#) for full warranty terms and conditions.



Declare.

CYLINDER 0 SURFACE MOUNT

DIMMING COMPATIBILITY

PHILIPS DRIVER COMPATIBILITY

Power supply 1TR Manufacturer	Family/Model #
Lutron Electronics	DV-600P
Lutron Electronics	DVELV-303P
Lutron Electronics	NTELV-600
Lutron Electronics	MAELV-600
Lutron Electronics	SELV-300P
Lutron Electronics	DVLV-600P
Lutron Electronics	NFTU-5A
Lutron Electronics	CTCL-153P
Lutron Electronics	GL-600H
Lutron Electronics	S-600P
Lutron Electronics	PHPM
Power supply UAN / ULN Manufacturer	Family/Model #
Lutron Electronics	DVTV plus PP-DV
Lutron Electronics	DVSCTV plus PP-DV
Lutron Electronics	DVSTV
Lutron Electronics	DVSCSTV
Lutron Electronics	QSGRJ-XP plus GRX-TVI
Lutron Electronics	QSGRJ-XE plus GRX-TVI
Lutron Electronics	QSGR-XE plus GRX-TVI
Lutron Electronics	NFTV plus PP-DV
Lutron Electronics	NTSTV
Lutron Electronics	RMJ-5T
Lutron Electronics	RMJS-8T
Lutron Electronics	FCJS-010
Leviton	IlumaTch IP7 series
Philips	Sunrise - SR1200ZTUNV

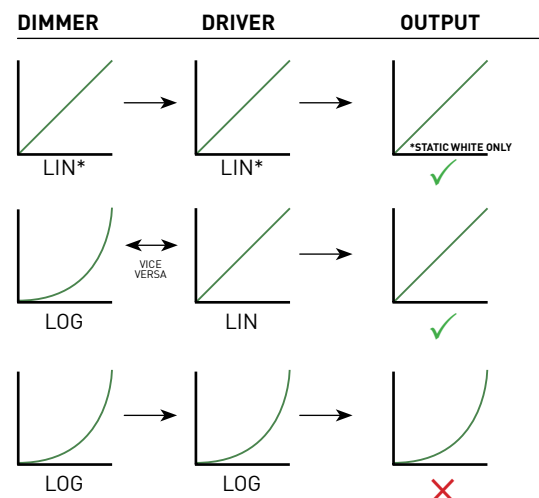
LUTRON DRIVER COMPATIBILITY

Power supply 1L2 Lutron Product Family	Part No.
Maestro WirelessR 600 W dimmer	MRF2-6ND-120-
Maestro WirelessR 1000 W dimmer	MRF2-10ND-120-
Caséta® Wireless Pro 1000 W dimmer	PD-10NXD-
GRAFIK T™ CL® dimmer	GT-250M-GTJ-250M-
HomeWorks® QS adaptive dimmer	HQRD-6NA-
HomeWorks® QS 600 W dimmer	HQRD-6ND-
HomeWorks® QS 1000 W dimmer	HQRD-10ND-
RadioRA® 2 adaptive dimmer	RRD-6NA-
RadioRA® 2 1000 W dimmer	RRD-10ND
myRoom™ DIN power module	MQSE-4A1-D
HomeWorks® QS DIN power module	LQSE-4A1-D
HomeWorks® QS wallbox power module	HQRJ-WPM-6D-120
HomeWorks® wallbox power module	HWI-WPM-6D-120
GRAFIK Eye® QS control unit	QSGR-, QSGRJ-
GRAFIK Eye® 3000 control unit	GRX-3100-GRX-3500-
RPM-4U module (LCP, HomeWorks® QS, GRAFIK Systems™, Quantum®)	HW-RPM-4U-120 LP-RPM-4U-120
RPM-4A module (LCP, HomeWorks® QS, GRAFIK Systems™, Quantum®)	HW-RPM-4A-120, LP-RPM-4A-120
GP dimming panels	Various
Ariadni CL 250W dimmer	AYCL-253P-
Diva CL 250W dimmer	DVCL-253P-DCSCCL-253P-
Nova T CL 250W dimmer	NTCL-250-
Power supply ULH Lutron Product Family	Part No.
PowPak Dimming Modules	RMJ-ECO32-DV-B
PowPak Dimming Modules	FCJ/FCJS-ECO
Energi Savr Nodes	QSN-1ECO-S
GRAFIK Eye QS control unit	QSN-2ECO-S
Homeworks QS control unit	QSGRJ- _E (wireless) QSGR- _E
Quantum Hub	QP2-__ 2C
Quantum Hub	QP2-__ 4C
Quantum Hub	QP2-__ 6C
Quantum Hub	QP2-__ 8C
Homeworks QS power module	LQSE-2ECO-D
myRoom Plus power module	

eldoLED DRIVER COMPATIBILITY

Power supply UEG / UEN Dimmer / Switch Control Manufacturer	Family/Model #
Busch-Jaeger	2112U-101
Jung	240-10
Leviton Lighting Controls	IP710-DLX
Lightolier Controls	ZP600FAM120
Lutron Electronics	Nova T® - NTFTV
Lutron Electronics	Divva® - DVTV
Lutron Electronics	Nova® - NFTV
Merten	5729
Pass & Seymour	CD4FB-W
The Watt Stopper	DCLV1
Sensor Switch	nIO EZ
Synergy	ISD BC
Power supply UEG / UEN Lighting Control Systems Manufacturer	Family/Model #
Lutron Electronics	GrafixEye® GRX-TVI w GRX3503
Lutron Electronics	Energy Savr Node™ - QSN-4T16-S
Lutron Electronics	TVM2 Module
Crestron®	GLX-DIMFLV8
Crestron®	GLXP-DIMFLV8
Crestron®	GLPAC-DIMFLV4-*
Crestron®	GLPAC-DIMFLV8-*
Crestron®	GLPP-DIMFLVEX-PM
Crestron®	GLPP-1DIMFLV2EX-PM
Crestron®	GLPP-1DIMFLV3EX-PM
Crestron®	DIN-A08
Crestron®	DIN-4DIMFLV4
Crestron®	CLS-EXP-DIMFLV
Crestron®	CLCI-1DIMFLV2EX
ABB	SD/S 2.16.1

ANALOG DRIVERS AND DIMMERS



LIN = LINEAR
 LOG = LOGARITHMIC
 *LIN-TO-LIN NOT COMPATIBLE FOR WARM DIM

