

CYLINDER 4

SUSPENDED CABLE

PROJECT NAME:	TYPE:
---------------	-------



Highlight art, objects, places, spaces, seating areas, and architectural details with a classic profile that offers easy-to-adjust, in-field versatility.

ORDERING INFORMATION



JA8-2022 COMPLIANCE INDICATED BY SHADING

CYLINDER	CABLE	CABLE COLOR	FUNCTION	RATING	CYLINDER FINISH	BAFFLE FINISH	CRI / WATTAGE PACKAGE	CCT	DOWN OPTIC (UGR)	DRIVER	EFFECTS DEVICE	MOUNTING			
CP4X															
CP4X 4.90"	096 8 Feet 192 16 Feet	W White B Black	FB Down Only UD Up / Down	1 Dry/Damp (IP30) 2 Wet (IP55)* *(Not available for Up / Down "UD")	WH White AG Satin Silver AB Architectural Bronze BK Black CF Custom Finish* *(Consult Factory)	WH White AG Satin Silver AU Cashmere Gold AB Architectural Bronze BK Black CF Custom Finish* *(Consult Factory)	STATIC WHITE 80S15E 80+ CRI, 15 Watts Lm. Delivered - 1579 80S30E 80+ CRI, 30 Watts Lm. Delivered - 3104 90S15E 90+ CRI, 15 Watts Lm. Delivered - 1410 90S30E 90+ CRI, 30 Watts Lm. Delivered - 2667 97S15E 97+ CRI, 15 Watts Lm. Delivered - 1269* *(Not available for Up / Down "UD") 97S30E 90+ CRI, 30 Watts Lm. Delivered - 2342* *(Not available for Up / Down "UD") TUNABLE WHITE 90T30B 90+ CRI, 30 Watts* Cool Profile Lm. Delivered - 2231* *(Not available for Up / Down "UD") Warm Profile Lm. Delivered - 2084 *(Not available for Up / Down "UD") 90T39B 90+ CRI, 39 Watts Cool Profile Lm. Delivered - 2720* *(Not available for Up / Down "UD") Warm Profile Lm. Delivered - 2587* *(Not available for Up / Down "UD")	24 2400K* *(90+ CRI only) 27 2700K 30 3000K 35 3500K 40 4000K TH 5000K - 2700K TR 4000K - 1800K TH 5000K - 2700K TR 4000K - 1800K	15 15° (<10) 25 25° (<10) 40 40° (<10) 60 60° (<16) 15 15° (<10) 25 25° (<10) 40 40° (<10) 60 60° (<16)	INTEGRAL 1PH 120V 1% Forward / Reverse 120 or 277V 1% 0-10V Analog, LOG 1SG 120 or 277V 1% 0-10V Analog, LIN 1SN 120 or 277V 1% 0-10V Analog, LIN REMOTE (120V) 1L2 Lutron, Hi-Lume 1% 2-Wire REMOTE (120-277V) 1LH Lutron, Hi-Lume 1% Ecosystem eldoLED 1EG 0.1% 0-10V, LOG eldoLED 1EN 0.1% 0-10V, LIN eldoLED 1ED 0.1% DALI, LOG UAS1 / Athena Control eldoLED UASR 0.1% 120-277V* UCS1 / Casambi Control eldoLED UCSR 0.1% 120-277V* *(Includes Node, Extended lead time, consult factory. UASR/UCSR includes shunt)	STANDARD EFFECTS DEVICE 4 Soft Focus Lens OPTIONAL EFFECTS DEVICE 0 No Lens* *(Not available for Wet locations) 2 Honeycomb Louver* *(Not available for Wet locations) 3 Clear Glass Lens 5 Frosted Glass Lens 6 Frosted Soft Focus Lens 7 Frosted Linear Spread Lens	JBOX Standard, J-Box Surface Mounting Plate CMJB 1/2" and 3/4" Conduit Ceiling Mount Junction Box* *(Not available for Wet locations)			
													*FOR CABLE LENGTHS OVER 16' CONSULT FACTORY. ALL LENGTHS ARE FIELD-CUTTABLE.	*SEE PAGE 2 FOR UGR RATINGS	*THIS SECTION ONLY PERTAINS TO DOWNLIGHT SOURCE. **ALL EFFECTS DEVICES ARE T24 COMPLIANT FOR STATIC WHITE.



PART NUMBER NOTES

- CP4X-FB ships as e.g., CP4X192WFB1WHBK80S30A131PH*4
- CP4X-UD ships as e.g., CP4X096BUD1AGBK90S30A131SG*4
- Downlight remote driver ships as e.g., PSCY4X-RMT-90C-29B-LH*
- Uplight remote driver ships as e.g., PSCY4X-RMT-UPLIGHT-LH*
- CMJB ships as CY4X-CMJB-(finish)



Declare.

CYLINDER 4 SUSPENDED CABLE

ACCESSORIES

DOWNLIGHT ALTERNATE EFFECTS DEVICES

- HCL-CY4X-01** Honeycomb Louver *
*(Not available for Wet location)
- CGL-CY4X-01** Clear Glass Lens
- SFL-CY4X-01** Soft Focus Lens
- FGL-CY4X-01** Frosted Glass Lens
- FSFL-CY4X-01** Frosted Soft Focus Lens
- FLSL-CY4X-01** Frosted Linear Spread Lens

REPLACEMENT OPTIC ASSEMBLIES

- RO-90-15** 15° optic
- RO-90-20** 20° optic
- RO-90-25** 25° optic
- RO-90-40** 40° optic
- RO-90-60** 60° optic

EMERGENCY LIGHTING - REMOTE MOUNT ONLY

- EMB-S-100-120-LEDX** 100 watt max capacity, 120 VAC 60Hz, 0-10V Dimmable
- EMB-S-100-277-LEDX** 100 watt max capacity, 277 VAC 60Hz, 0-10V Dimmable
- EMB-S-250-120/277-LEDX** 250 watt max capacity, 120 or 277 VAC 60Hz, 0-10V Dimmable

During disruption of main power, emergency battery inverter provides temporary 120V or 277V to fixture.

PERFORMANCE - 3000K - SOFT FOCUS LENS



JA8-2022 INDICATED BY SHADING

LUMEN PACKAGE	WATTAGE	15° OPTIC		25° OPTIC		40° OPTIC		60° OPTIC		UPLIGHT	
		DELIVERED	LPW	DELIVERED	LPW	DELIVERED	LPW	DELIVERED	LPW	DELIVERED	LPW
80S15E	15	1599	107	1542	103	1579	105	1500	100	1148	82
80S30E	30	3193	106	3030	101	3104	103	2930	98	1148	82
90S15E	15	1428	106	1377	103	1410	105	1339	100	1038	74
90S30E	30	2743	91	2603	87	2667	89	2517	84	1038	74
97S15E	15	1285	86	1293	83	1269	85	1205	80	-	-
97S30E	30	2408	80	2285	76	2342	78	2210	74	-	-
90T30BH (5000K-2800K)	30	2313	77	2197	73	2331	74	2110	70	-	-
90T39BH (5000K-2800K)	39	2827	72	2720	70	2770	71	2628	67	-	-
90T30BR (4000K-1800K)	30	2160	72	2052	68	2084	69	1971	66	-	-
90T39BR (4000K-1800K)	39	2640	68	2540	65	2587	66	2454	63	-	-

CCT	CCT SCALE
2400K	0.76
2700K	0.97
3000K	1.00
3500K	1.03
4000K	1.08

MEDIA	LIGHT LOSS FACTOR
NO LENS	1.05
CGL	1.00
SFL	1.00
FGL	0.89
FSFL	0.87
FLSL	0.82
HCL	0.65

UNIFIED GLARE RATING

15° OPTIC SOFT FOCUS LENS	25° OPTIC SOFT FOCUS LENS	40° OPTIC SOFT FOCUS LENS	60° OPTIC SOFT FOCUS LENS
<10	<10	<10	<16

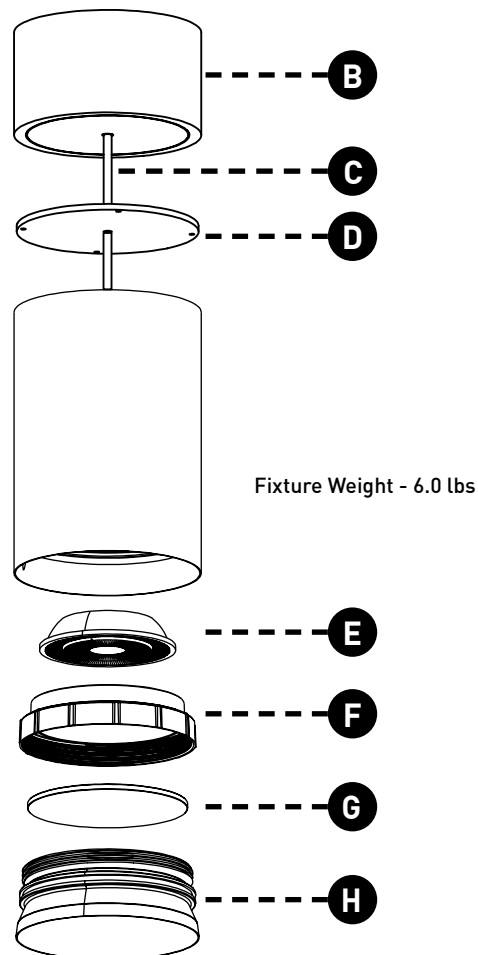
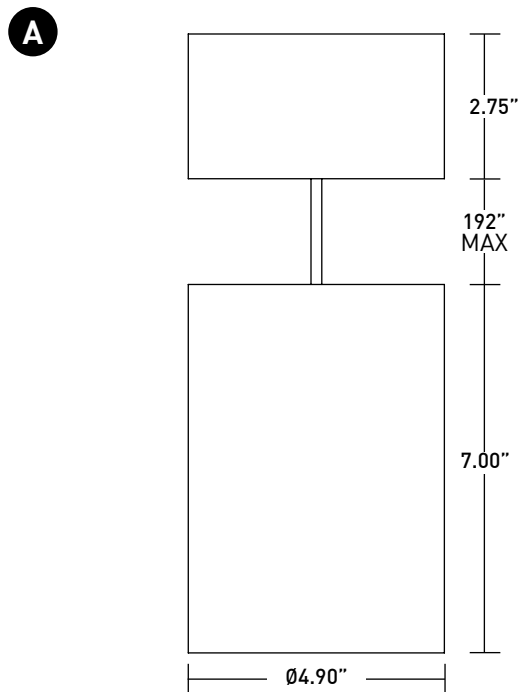
CCT	5000K-2700K	4000K-1800K
5000K	1.16	-
4000K	1.08	1.14
3500K	1.04	1.07
3000K	1.00	1.00
2700K	0.96	0.92
2400K	-	0.84
1800K	-	0.69

CYLINDER 4 SUSPENDED CABLE

FIXTURE

- A LUMINAIRE**
Body with integrated heat sink and LED(s). Power supply may be integral or remote mount.
- B CANOPY**
Die-cast canopy accommodates flat and sloped ceiling conditions. Conceals hidden twist-on mounting hardware. Available with integral or remote driver.
- C CABLE**
Black or White wiring harnesses are available. Available in lengths up to 192" maximum, cable is field cuttable, consult factory for lengths greater than 192".
- D UPLIGHT OPTIC**
120° Spread lens; Uplight only available for Dry/Damp locations.
- E DOWNLIGHT OPTIC**
Robust light engine with optimized optic pairing integrates Reflection, Refraction, and TIR offering 15°, 25°, 40° & 60° beams.
- F LENS RETAINER**
Threaded lens retainer attaches to baffle and accommodates up to two effects devices.
- G DOWNLIGHT MEDIA**
Soft focus lens standard. Media is field-changeable in Dry/Damp and Wet locations.
- H BAFFLE**
Die-cast baffle minimizes aperture glare and conceals view into fixture.

DIMENSIONS / DRAWINGS

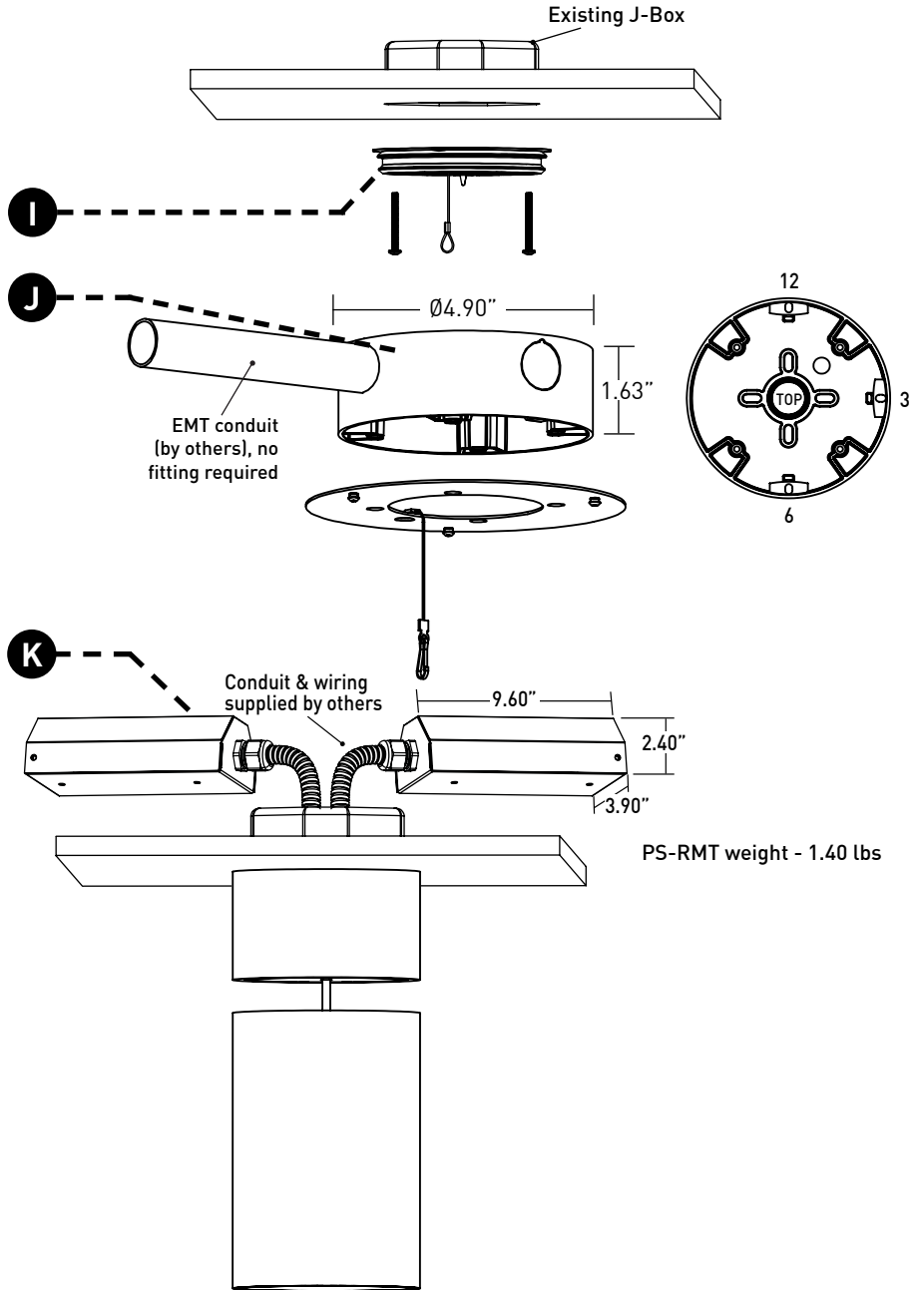


CYLINDER 4 SUSPENDED CABLE

MOUNTING

- I MOUNTING ADAPTOR**
Mounting adaptor (concealed) for standard 3/0 and 4/0 j-boxes. Surface mounted, does not require installation prior to rough-in. Fixture mounts flush with minimalist transition to ceiling.
- J CMJB**
Ceiling mount junction box perfectly matches the cylinder profile for a continuous, integrated look where exposed ceiling mount junction box and conduit applications apply. For use with 1/2" and 3/4" EMT conduit only. Features three conduit entrances at 12, 3, and 6 o'clock plus one conduit knockout on top. Painted finishes only. Blank off plugs included.

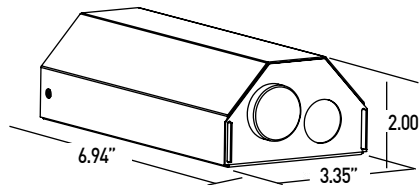
DIMENSIONS / DRAWINGS



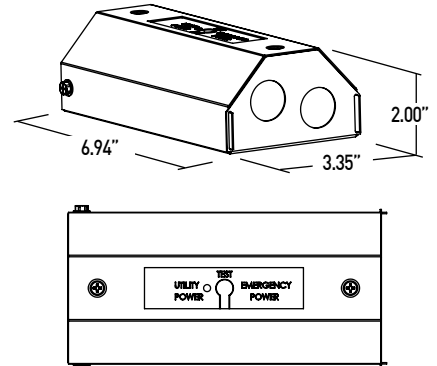
REMOTE POWER SUPPLY

- K PS-RMT**
Do not install in environments where ambient temperatures exceed 35°C (95°F). Remote power supply provides additional driver options. Mounting device still required. Consult install guide for maximum allowable secondary run lengths between PS-RMT and fixture.
- L ATHENA / CASAMBI CONTROL**
Controls integrated into housing or remote driver assembly. All equipment is serviceable.
Athena Model Numbers: A-WN-D01-RF-BL & DFC-OEM-DBI
Casambi Model Number: BT-S1E1-5400
- M ATHENA / CASAMBI EM SHUNT**
Included with drivers specified as ASR, ADR, CSR, or CDR. One required for each wireless EM fixture, requires class 2 control wiring between fixture and shunt. Features integrated test switch.
Model Number: PS-RMT-SHUNT

L ATHENA / CASAMBI ENCLOSURE



M ATHENA / CASAMBI EM SHUNT



CYLINDER 4 SUSPENDED CABLE

UP / DOWNLIGHT FIXTURE CONTROL INFORMATION

DRIVER	DRIVER QUANTITY	SOURCES DIM INDEPENDENTLY OR TOGETHER	WIRING REQUIREMENTS
1PH	2	X	For independent control, two switch legs required.
1SG	2	X	For independent control, two switch-legs and two 0-10V control leads required.
1SN	2	X	For independent control, two switch-legs and two 0-10V control leads required.
1L2	2	X	For independent control, two switch legs required.
1LH	2	X	For independent control, two EcoSystem addresses required.
1ED	1	X	For independent control, two DALI addresses required.
1EG	2	X	For independent control, two switch-legs and two 0-10V control leads required.
1EN	2	X	For independent control, two switch-legs and two 0-10V control leads required.

CYLINDER 4 SUSPENDED CABLE

TECHNICAL

CONSTRUCTION

Cylinder: Machined aluminum body; extruded aluminum internal heat-sink; painted finishes are granulated powder coat.

CMJB: Die-cast aluminum body; painted finishes are granulated powder coat.

Remote Power Supply: 22 Gauge galvanized steel.

LED

2-step MacAdam ellipse LED module available in 80+, 90+ and 97+ CRI configurations in color temperatures of 2700K, 3000K, 3500K and 4000K.

3-step MacAdam ellipse LED module available in 90+ configuration in color temperature of 2400K. Average rated lamp life of 50,000 hours. LED and driver assemblies are field-replaceable.

TUNABLE WHITE LED

3-step MacAdam ellipse tunable white LED module available in 90+ CRI configuration. Features tuning ranges of 1800K to 4000K and 2700K to 5000K. Average rated lamp life: 50,000 hours. Driver assembly is field-replaceable.

POWER SUPPLY PERFORMANCE AND DIMMING INFORMATION

	PHASE		0-10V						ECO	DALI		ATHENA		CASAMBI	
Power Supply	1PH	1L2	1SG	1SN	1EG	1EN	1DG	1DN	1LH	1ED	1DD	UAS1	UAD1	UCS1	UCD1
Minimum °C	-10 °C	0 °C	-10 °C	-10 °C	-20 °C	-20 °C	-20 °C	-20 °C	0 °C	-20 °C	-20 °C	0 °C	0 °C	-20 °C	-20 °C
Maximum °C	40 °C	40 °C	40 °C	40 °C	40 °C	40 °C	40 °C	40 °C	40 °C	40 °C	40 °C	40 °C	40 °C	40 °C	40 °C
Dimming %	1.0%	1.0%	1.0%	1.0%	0.1%	0.1%	0.1%	0.1%	1.0%	0.1%	0.1%	0.1%	0.1%	0.1%	0.1%

Note: 1L2, 1LH, 1EG and 1EN drivers consult chart on page 7 to confirm appropriate dimming curve for compatibility with selected control.

MAXIMUM ALLOWABLE REMOTE DRIVER WIRING DISTANCES

DRIVER	WIRE AWG				
	12	14	16	18	20
PH,SG,SN	285'	180'	113'	71'	45'
L2, LH	60'	40'	25'	15'	-
EG, EN, ED, DG, DN, DD, UAS, UAD, UCS, UCD	-	-	118'	72'	46'

MOUNTING

Cylinder is supplied with a mounting adaptor, which integrates with standard 3/0 or 4/0 junction boxes. Ceiling-mount junction box available for 1/2" (13mm) and 3/4" (19mm) conduit and features concealed internal clamps for clean fitting-free conduit exit and entry.

LISTING

cTUVus listed to UL1598 standard for Dry / Damp and Wet locations. IP30 (Dry/Damp) rated at IEC60598 and IP55 (Wet) rated at IEC60529. Title 24 JA8-2022 Listed.

BUY AMERICAN ACT

CP4X-FB configuration is Buy American Act compliant.

DECLARE

LBC Red List Approved.

WEIGHT

Fixture - 6 lbs max

Remote Driver - 1.4 lbs

LIMITED WARRANTY

Manufacturer's 1-year warranty guarantees product(s) listed to be free from defects in material and workmanship under normal use and service. 5-year warranty on LED and power supply to operate with 70% of the original flux and remain within a range of 3 duv. 10-year Lutron Advantage limited warranty available on Lutron equipped systems. Warranty period begins from the date of shipment by Seller. Consult [website](#) for full warranty terms and conditions.

CHANGE LOG

1. 01/06/2022: ADDED TITLE 24 JA8-2022 LISTING.

2. 04/26/2023: ADDED DECLARE LBC RED LIST APPROVED.

3. 08/08/2023: ADDED NEW LED AND OPTIC SYSTEM.

4. 1/11/2024: ADDED ATHENA/CASAMBI OFFERINGS, ADDED 2400K OFFERING, ADDED RESIDENTIAL TW OFFERING.

CYLINDER 4 SUSPENDED CABLE

DIMMING COMPATIBILITY

LUTRON DRIVER COMPATIBILITY

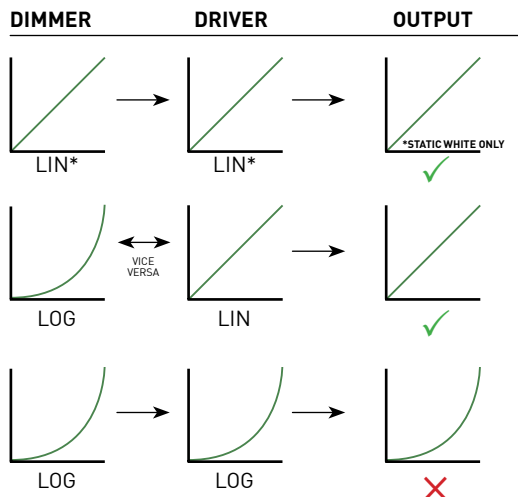
Power supply 1L2 Lutron Product Family	Part No.
Maestro WirelessR 600 W dimmer	MRF2-6ND-120-
Maestro WirelessR 1000 W dimmer	MRF2-10ND-120-
Caséta® Wireless Pro 1000 W dimmer	PD-10NXD-
GRAFIK T™ CL® dimmer	GT-250M- GTJ-250M-
HomeWorks® QS adaptive dimmer	HQRD-6NA-
HomeWorks® QS 600 W dimmer	HQRD-6ND-
HomeWorks® QS 1000 W dimmer	HQRD-10ND-
RadioRA® 2 adaptive dimmer	RRD-6NA-
RadioRA® 2 1000 W dimmer	RRD-10ND
myRoom™ DIN power module	MQSE-4A1-D
HomeWorks® QS DIN power module	LQSE-4A1-D
HomeWorks® QS wallbox power module	HQRJ-WPM-6D-120
HomeWorks® wallbox power module	HWI-WPM-6D-120
GRAFIK Eye® QS control unit	QSGR-, QSGRJ-
GRAFIK Eye® 3000 control unit	GRX-3100- GRX-3500-
RPM-4U module (LCP, HomeWorks® QS, GRAFIK Systems™, Quantum®)	HW-RPM-4U-120 LP-RPM-4U-120
RPM-4A module (LCP, HomeWorks® QS, GRAFIK Systems™, Quantum®)	HW-RPM-4A-120, LP-RPM-4A-120
GP dimming panels	Various
Ariadni CL 250W dimmer	AYCL-253P-
Diva CL 250W dimmer	DVCL-253P- DCSCCL-253P-
Nova T CL 250W dimmer	NTCL-250-
Power supply 1LH Lutron Product Family	Part No.
PowPak Dimming Modules	RMJ-ECO32-DV-B
PowPak Dimming Modules	FCJ/FCJS-ECO
Energi Savr Nodes	QSN-1ECO-S
GRAFIK Eye QS control unit	QSN-2ECO-S
Homeworks QS control unit	QSGRJ- _E (wireless) QSGR- _E
Quantum Hub	QP2-__ _2C
Quantum Hub	QP2-__ _4C
Quantum Hub	QP2-__ _6C
Quantum Hub	QP2-__ _8C
Homeworks QS power module	LQSE-2ECO-D
myRoom Plus power module	



eldoLED DRIVER COMPATIBILITY

Power supply EA2 Manufacturer	Family/Model #
Busch-Jaeger	2112U-101
Jung	240-10
Leviton Lighting Controls	IP710-DLX
Lightolier Controls	ZP600FAM120
Merten	5729
Pass & Seymour	CD4FB-W
The Watt Stopper	DCLV1
Synergy	ISD BC
Crestron®	GLX-DIMFLV8
Crestron®	GLXP-DIMFLV8
Crestron®	GLPAC-DIMFLV4-*
Crestron®	GLPAC-DIMFLV8-*
Crestron®	GLPP-DIMFLVEX-PM
Crestron®	GLPP-1DIMFLV2EX-PM
Crestron®	GLPP-1DIMFLV3EX-PM
Crestron®	DIN-A08
Crestron®	DIN-4DIMFLV4
Crestron®	CLS-EXP-DIMFLV
Crestron®	CLCI-1DIMFLV2EX
Power supply LA2 Manufacturer	Family/Model #
Lutron Electronics	Nova T® - NTFTV
Lutron Electronics	Diva® - DVTV
Lutron Electronics	Nova® - NFTV
Lutron Electronics	GrafixEye® GRX-TVI w GRX3503
Lutron Electronics	Energy Savr Node™ - QSN-4T16-S
Lutron Electronics	TVM2 Module
Sensor Switch	nIO EZ
ABB	SD/S 2.16.1

ANALOG DRIVERS AND DIMMERS



LIN = LINEAR
 LOG = LOGARITHMIC
 *LIN-TO-LIN NOT COMPATIBLE FOR WARM-DIM