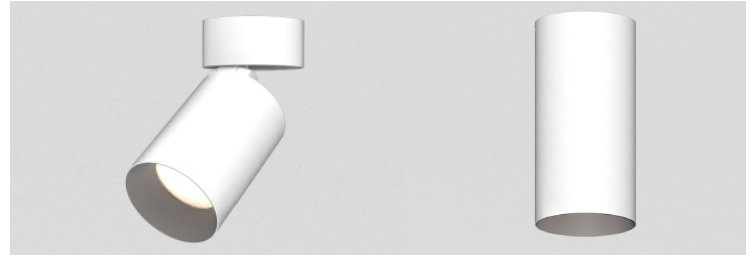


CYLINDER CY4 INTERNATIONAL SURFACE MOUNT

Highlight art, objects, places, spaces, seating areas, and architectural details with a classic profile that offers easy-to-adjust, in-field versatility.

PROJECT NAME:	TYPE:
----------------------	--------------



ORDERING INFORMATION

CYLINDER	FIXTURE	RATING	CYLINDER FINISH	BAFFLE FINISH	CRI / WATTAGE PACKAGE	OCT	OPTIC(UGR)	DRIVER	MEDIA	MOUNTING
CY4X										
CY4X 4.90"	AD Standard 90°	1 Dry/Damp (IP30) 2 Wet (IP55)	WH White	WH White	STATIC WHITE 80S30E 80+ CRI, 30 Watts Lm. Delivered - 3104 80S41E 80+ CRI, 41 Watts Lm. Delivered - 4056 80S51E 80+ CRI, 51 Watts Lm. Delivered - 4851 90S30E 90+ CRI, 30 Watts Lm. Delivered - 2667 90S41E 90+ CRI, 41 Watts Lm. Delivered - 3484 90S51E 90+ CRI, 51 Watts Lm. Delivered - 4167 97S30E 90+ CRI, 30 Watts Lm. Delivered - 2342 97S41E 90+ CRI, 41 Watts Lm. Delivered - 3059 97S51E 90+ CRI, 51 Watts Lm. Delivered - 3659	24 2400K* *(90+ CRI only) 27 2700K 30 3000K 35 3500K 40 4000K	15 15° (<10) 25 25° (<10) 40 40° (<10) 60 60° (<16) WW Wallwash Optic*(<16) *(Required for Wallwash fixtures)	INTEGRAL (220-240V) 2IG 1% 0-10V Analog, LOG 2IN 1% 0-10V Analog, LIN REMOTE (220-240V) 2EG eldoLED, 0.1% 0-10V, LOG 2EN eldoLED, 0.1% 0-10V, LIN 2ED eldoLED, 0.1% DALI, LOG	STANDARD MEDIA 4 Soft Focus Lens W Wallwash Lens* *(Required for Wallwash fixtures) OPTIONAL MEDIA 0 No Lens* *(Not available for IP55 Wet locations) 2 Honeycomb Louver* *(Not available for IP55 Wet locations) 3 Clear Glass Lens 5 Frosted Glass Lens 6 Frosted Soft Focus Lens 7 Frosted Linear Spread Lens	EXMP Export Mounting Plate CMJB 1/2" and 3/4" Conduit Ceiling Mount Junction Box* *(Not available for IP55 Wet locations)
	FB Fixed Body WW Wallwash		AG Satin Silver AU Cashmere Gold AB Architectural Bronze BK Black CF Custom Finish* *(Consult Factory)	AG Satin Silver AU Cashmere Gold AB Architectural Bronze BK Black CF Custom Finish* *(Consult Factory)						



PART NUMBER NOTES

- CY4X-AD ships as e.g., CY4XAD1WHBK90C29B342IG*4
- CY4X-FB ships as e.g., CY4XFB1WHBK80C34B4421G*4
- CY4X-WW ships as e.g., CY4XWW1WHBK90C29B352IG*W
- Remote driver ships as e.g., PSCY4X-INT-90C-29B-EG*
- CMJB ships as CY4X-CMJB-(finish)

CYLINDER 4 INTERNATIONAL SURFACE MOUNT

ACCESSORIES

ALTERNATE EFFECTS DEVICES

- HCL-CY4X-01** Honeycomb Louver *
*(Not available for IP55 Wet location)
- CGL-CY4X-01** Clear Glass Lens
- SFL-CY4X-01** Soft Focus Lens
- FGL-CY4X-01** Frosted Glass Lens
- FSFL-CY4X-01** Frosted Soft Focus Lens
- FLSL-CY4X-01** Frosted Linear Spread Lens

REPLACEMENT OPTIC ASSEMBLIES

- RO-90-15** 15° optic
- RO-90-20** 20° optic
- RO-90-25** 25° optic
- RO-90-40** 40° optic
- RO-90-60** 60° optic
- RO-90-WW** Wallwash optic

PERFORMANCE - 3000K - STANDARD EFFECTS DEVICE

LUMEN PACKAGE	WATTAGE	15° OPTIC		25° OPTIC		40° OPTIC		60° OPTIC		WALLWASH OPTIC	
		DELIVERED	LPW	DELIVERED	LPW	DELIVERED	LPW	DELIVERED	LPW	DELIVERED	LPW
80S30E	30	3193	106	3030	101	3104	103	2930	98	3068	102
80S41E	41	4272	104	3930	96	4056	99	3825	93	4042	99
80S51E	51	5073	99	4717	92	4851	95	4590	90	4852	95
90S30E	30	2743	91	2603	87	2667	89	2517	84	2636	88
90S41E	41	3670	90	3376	82	3484	85	3286	80	3472	85
90S51E	51	4358	85	4052	79	4167	82	3943	77	4168	82
97S30E	30	2408	80	2285	76	2342	78	2210	74	2314	77
97S41E	41	3222	79	2964	72	3059	75	2885	70	3048	74
97S51E	51	3826	75	3558	70	3659	72	3462	68	3659	72
90T30BH (5000K-2700K)	30	2313	77	2197	73	2331	74	2110	70	2205	74
90T39BH (5000K-2700K)	39	2827	72	2720	70	2770	71	2628	67	2778	71
90T30BR (4000K-1800K)	30	2160	72	2052	68	2084	69	1971	66	2059	69
90T39BR (4000K-1800K)	39	2640	68	2540	65	2587	66	2454	63	2594	67

UNIFIED GLARE RATING

15° OPTIC SOFT FOCUS LENS	25° OPTIC SOFT FOCUS LENS	40° OPTIC SOFT FOCUS LENS	60° OPTIC SOFT FOCUS LENS	WALLWASH OPTIC
<10	<10	<10	<16	<16

OUTPUT MULTIPLIER

CCT	CCT SCALE
2400K	0.76
2700K	0.97
3000K	1.00
3500K	1.03
4000K	1.08

MEDIA LIGHT LOSS FACTOR

MEDIA	LIGHT LOSS FACTOR
NO LENS	1.05
CGL	1.00
SFL	1.00
FGL	0.89
FSFL	0.87
FLSL	0.82
HCL	0.65

TUNABLE WHITE MULTIPLIER

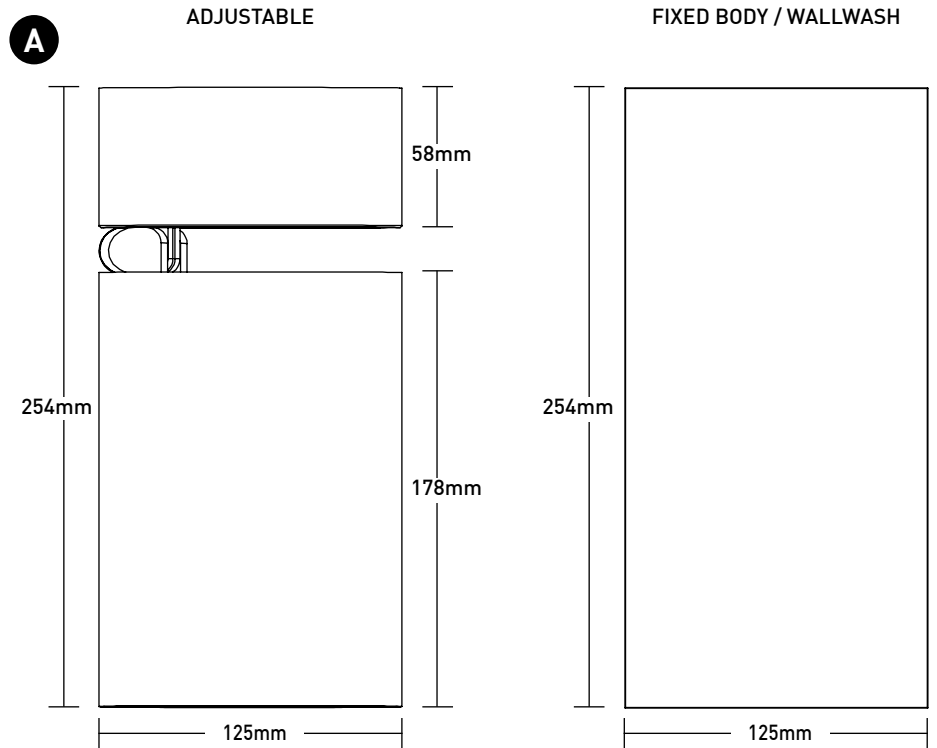
CCT	5000K-2700K	4000K-1800K
5000K	1.16	-
4000K	1.08	1.14
3500K	1.04	1.07
3000K	1.00	1.00
2700K	0.96	0.92
2400K	-	0.84
1800K	-	0.69

CYLINDER 4 INTERNATIONAL SURFACE MOUNT

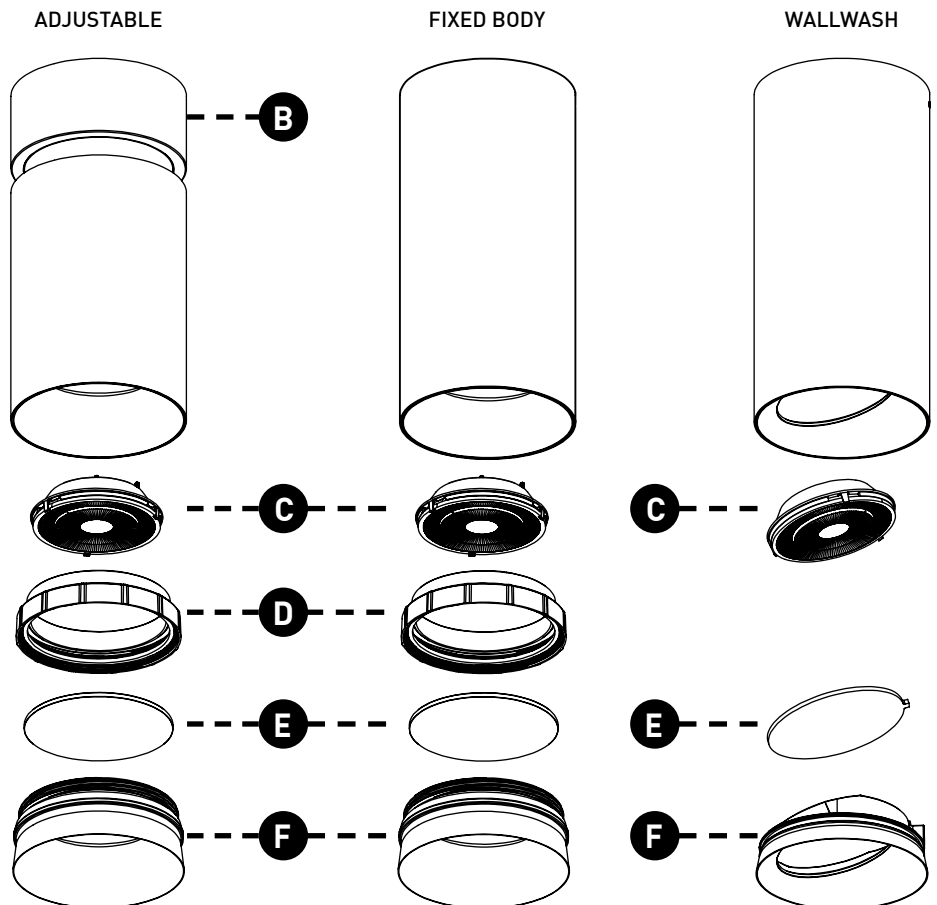
FIXTURE

- A LUMINAIRE**
Body with integrated heat sink and LED. Conceals hidden twist-on mounting hardware. Power supply may be integral or remote mount.
- B ADJUSTABLE CANOPY**
Die-cast canopy accommodates flat and sloped ceiling conditions. Conceals hidden twist-on mounting hardware. Features 90° tilt and 58mm tall canopy. Available with integral or remote driver.
- C ADJUSTABLE AND FIXED BODY OPTIC**
Robust light engine with optimized optic pairing integrates Reflection, Refraction and TIR offering 15°, 25°, 40° & 60° beams.
WALLWASH OPTIC
Robust light engine with precision tuned kick reflector and optic provide uniform wallwashing effect.
- D ADJUSTABLE AND FIXED BODY LENS RETAINER**
Threaded lens retainer attaches to baffle and accommodates up to two media.
- E ADJUSTABLE AND FIXED BODY MEDIA**
Soft focus lens standard. Media is field-changeable in Dry/Damp and Wet locations.
WALLWASH MEDIA
Wallwash lens is fixed to baffle and not field changeable.
- F BAFFLE**
Die-cast baffle minimizes aperture glare and conceals view into fixture.

DIMENSIONS / DRAWINGS



Fixture Weight - 6.0 lbs



CYLINDER 4 INTERNATIONAL SURFACE MOUNT

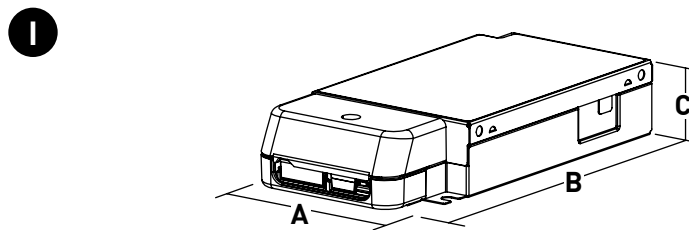
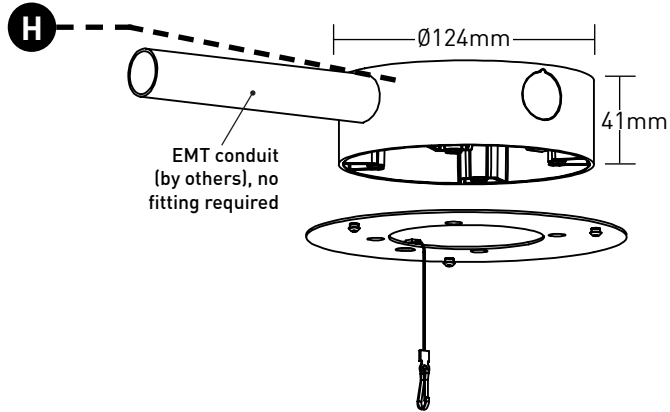
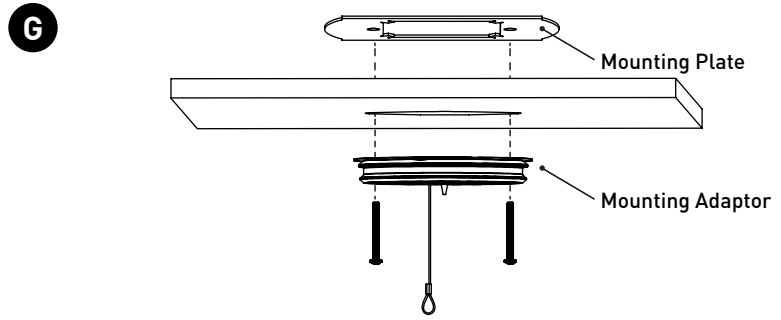
MOUNTING

- G MOUNTING ASSEMBLY**
Surface mounted, does not require installation prior to rough-in. Mounting plate sits atop ceiling for attachment of mounting adaptor. Fixture mounts flush with minimalist transition to ceiling.
- H CMJB**
Ceiling mount junction box perfectly matches the cylinder profile for a continuous, integrated look where exposed ceiling mount junction box and conduit applications apply. For use with 1/2" and 3/4" EMT conduit only. Features three conduit entrances at 12, 3, and 6 o'clock plus one conduit knockout on top. Painted finishes only. Blank off plugs included.

REMOTE POWER SUPPLY

- I PS-RMT**
Do not install in environments where ambient temperatures exceed 35°C (95°F). Remote power supply provides additional driver options. Mounting device still required. Consult install guide for maximum allowable secondary run lengths between PS-RMT and fixture.

DIMENSIONS / DRAWINGS



POWER SUPPLY DIMENSIONS			
Model	A	B	C
2EG (30W)	41mm	210mm	34mm
2EN (30W)			
2ED (30W)			
2EG (50W)	76mm	152mm	30mm
2EN (50W)			
2ED (50W)			
2DD			

CYLINDER 4 INTERNATIONAL SURFACE MOUNT

TECHNICAL

CONSTRUCTION

Cylinder: Machined aluminum body; extruded aluminum internal heat-sink; painted finishes are granulated powder coat.

CMJB: Die-cast aluminum body; painted finishes are granulated powder coat.

Remote Power Supply: Varies. Consult factory for additional information.

LED

2-step MacAdam ellipse LED module available in 80+, 90+ and 97+ CRI configurations in color temperatures of 2700K, 3000K, 3500K and 4000K.

3-step MacAdam ellipse LED module available in 90+ configuration in color temperature of 2400K. Average rated lamp life of 50,000 hours. LED and driver assemblies are field-replaceable.

TUNABLE WHITE LED

3-step MacAdam ellipse tunable white LED module available in 90+ CRI configuration. Features tuning ranges of 1800K to 4000K and 2700K to 5000K. Average rated lamp life: 50,000 hours. Driver assembly is field-replaceable.

POWER SUPPLY PERFORMANCE AND DIMMING INFORMATION

Power Supply	2IG	2IN	2EG	2EN	2ED	2DD
Minimum °C	-10 °C	-10 °C	-20 °C	-20 °C	-20 °C	-20 °C
Maximum °C	40 °C	40 °C	40 °C	40 °C	40 °C	40 °C
Dimming %	1.0%	1.0%	0.1%	0.1%	0.1%	0.1%

Note: 2EG and 2EN drivers consult chart on page 6 to confirm appropriate dimming curve for compatibility with selected control.

MOUNTING

Cylinder is supplied with a mounting adaptor, which integrates with mounting plate and accommodates ceiling thicknesses of 12mm to 19mm. Ceiling-mount junction box available for 13mm and 19mm conduit and features concealed internal clamps for clean fitting-free conduit exit and entry.

WALLWASH SPACING

Recommended fixture spacing is 48" on center with 48" setback from wall plane.

LISTING

CE listed for Dry / Damp (IP30) and Wet (IP54) locations.

WEIGHT

Adjustable - 5.4 lbs max

Fixed / Wallwash - 6 lbs max

Remote Driver - 1.4 lbs

LIMITED WARRANTY

Manufacturer's 1-year warranty guarantees product(s) listed to be free from defects in material and workmanship under normal use and service. 5-year warranty on LED and power supply to operate with 70% of the original flux and remain within a range of 3 duv. Warranty period begins from the date of shipment by Seller. Consult [website](#) for full warranty terms and conditions.

CHANGE LOG

1. 08/08/2023: ADDED NEW LED AND OPTIC SYSTEM.

2. 1/11/2024: ADDED 2400K OFFERING, ADDED RESIDENTIAL TW OFFERING.

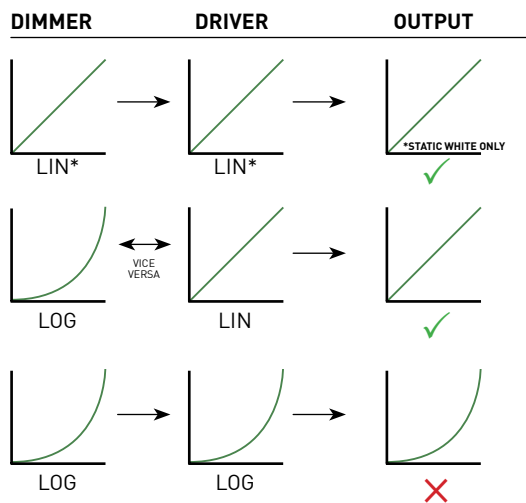
CYLINDER 4 INTERNATIONAL SURFACE MOUNT

DIMMING COMPATIBILITY

eldoLED DRIVER COMPATIBILITY

Power supply 2EG / 2EN Dimmer / Switch Control Manufacturer	Family/Model #
Busch-Jaeger	2112U-101
Jung	240-10
Leviton Lighting Controls	IP710-DLX
Lightolier Controls	ZP600FAM120
Lutron Electronics	Nova T® - NTFTV
Lutron Electronics	Diva® - DDTV
Lutron Electronics	Nova® - NFTV
Merten	5729
Pass & Seymour	CD4FB-W
The Watt Stopper	DCLV1
Sensor Switch	nI0 EZ
Synergy	ISD BC
Power supply 2EG / 2EN Lighting Control Systems Manufacturer	Family/Model #
Lutron Electronics	GrafixEye® GRX-TVI w GRX3503
Lutron Electronics	Energy Savr Node™ - QSN-4T16-S
Lutron Electronics	TVM2 Module
Crestron®	GLX-DIMFLV8
Crestron®	GLXP-DIMFLV8
Crestron®	GLPAC-DIMFLV4-*
Crestron®	GLPAC-DIMFLV8-*
Crestron®	GLPP-DIMFLVEX-PM
Crestron®	GLPP-1DIMFLV2EX-PM
Crestron®	GLPP-1DIMFLV3EX-PM
Crestron®	DIN-A08
Crestron®	DIN-4DIMFLV4
Crestron®	CLS-EXP-DIMFLV
Crestron®	CLCI-1DIMFLV2EX
ABB	SD/S 2.16.1

ANALOG DRIVERS AND DIMMERS



LIN = LINEAR
 LOG = LOGARITHMIC
 *LIN-TO-LIN NOT COMPATIBLE FOR WARM-DIM