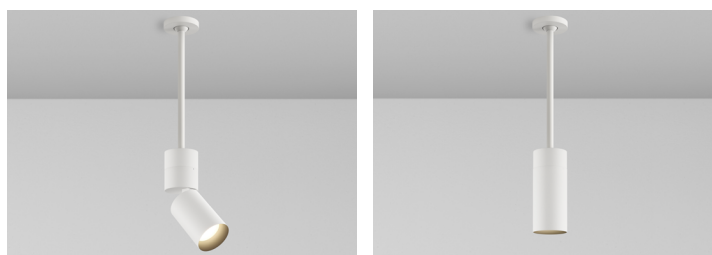


CYLINDER 1 SUSPENDED STEM DROPKIT

Our best-selling cylinders keep getting better. Suspended cylinders are offered in a broad range of sizes and more than a dozen finish options, with field-cuttable stems and lumens from 800 to almost 4000lm.

| | |
|---------------|-------|
| PROJECT NAME: | TYPE: |
|---------------|-------|



ORDERING INFORMATION



Quick Ship Product. All rough in components ship within 10 days up to quantities of 100.



JA8-2022 COMPLIANCE INDICATED BY SHADING

| CYLINDER | LENGTH | FUNCTION | RATING | CYLINDER FINISH | BAFFLE FINISH | CRI / WATTAGE PACKAGE | CCT | OPTIC (UGR) | MEDIA | POWER SUPPLY | MOUNTING |
|---|------------------------|---|----------------------------|--|--|--|--|--|---|---|---|
| CD1X | | | 1 | | | | | | | | |
| Dropkit® STEM ASSEMBLY CD1X 2.5" Ø | 043 2" - 43" | AD 90° Adjustable Mechanical Dropkit Stem | 1 Dry / Damp (IP30) | POWDERCOAT FINISHES | POWDERCOAT FINISHES | STATIC WHITE 80S11A 80+ CRI, 11 Watts 1104 lm delivered 80S17A 80+ CRI, 17 Watts 1643 lm delivered 90S11A 90+ CRI, 11 Watts 952 lm delivered 90S17A 90+ CRI, 17 Watts 1416 lm delivered 97S11A 97+ CRI, 11 Watts 838 lm delivered 97S17A 97+ CRI, 17 Watts 1246 lm delivered WARM DIM 90W18A 90+ CRI, 18 Watts Incandescent Profile 1216 lm delivered Halogen Profile 1202 lm delivered TUNABLE WHITE (REMOTE DRIVER ONLY) 90T17A 90+ CRI, 17 Watts Warm Profile 1291 lm delivered Cool Profile 1251 lm delivered *SEE PAGE 4 FOR DETAILED PERFORMANCE CONFIGURATIONS AND WARM DIM PROFILE COMPARISON. *ALL DELIVERED LUMEN OUTPUTS AND T24 COMPLIANCE REFLECT 3000K PAIRED WITH 60° OPTIC AND SOFT FOCUS LENS. | 24 2400K* *(90+CRI only) 27 2700K 30 3000K 35 3500K 40 4000K WL 2700K - 1800K WD 3000K - 1800K TR 4000K - 1800K TH 5000K - 2700K | 10 10° (<16) *(17 Watts only) 15 15° (<16) 20 20° (<10) 25 25° (<10) 40 40° (<10) 60 60° (<16) WW Wallwash* *(Required for WW & AW fixture) | STANDARD MEDIA 4 Soft Focus Lens (SFL)* *(Required for 10° optic) ALTERNATE MEDIA 0 No Lens* *(Not available for Warm Dim or Wet Location) 2 Honey Comb Louver (HCL)* *(Not available for Warm Dim or Wet Location) 3 Clear Glass Lens (CGL)* *(Not available for Warm Dim) 5 Frosted Glass Lens (FGL) 6 Frosted Soft Focus Lens (FSFL) 7 Frosted Linear Spread Lens (FLSL) C Clear Glass Film w/ Honeycomb Louver S Soft Focus Film w/ Honeycomb Louver W Wallwash Lens* *(Required for WW and AW fixture) | INTEGRAL UCA 120-277V 0-10V Analog 1CE 120V Electronic Forward/Reverse REMOTE (120V) 1TR Philips, 2% Forward / Reverse 1L2 Lutron Hi-Lume 1%, 2-Wire 1RE Forward / Reverse REMOTE (120-277V) URA 0-10V Analog ULH Lutron Hi-Lume Ecosystem 1% UAN Philips Titanium 1% 0-10V, LOG ULN Philips Titanium 1% 0-10V, LIN UEG eldoLED, 0.1% 0-10V, LOG UEN eldoLED, 0.1% 0-10V, LIN UED eldoLED, 0.1% DALI-2, LOG ULD eldoLED, 0.1% DALI-2, LIN UAS1/ Athena Control UASR EldoLED, 0.1% 120-277V* UCS1/ Casambi Control UCSR EldoLED, 0.1% 120-277V* *(Includes Node. Extended lead time, consult factory. UASR/UCSR includes shunt.) TUNABLE WHITE REMOTE (0.1%, 120-277V) UDD eldoLED, DUALdrive DALI-2, LOG UDG eldoLED, DUALdrive 0-10V, LOG UDN eldoLED, DUALdrive 0-10V, LIN UAD1/ Athena Control, UADR EldoLED, DUALdrive* UCD1/ Casambi Control, UCDR EldoLED, DUALdrive* *(Includes Node. Extended lead time, consult factory. UADR/UCDR includes shunt.) | ROUGH-IN JBMP 4" Sq. or 4/0 Junction Box Mounting Plate FINISH OUT CMJB * 1/2" and 3/4" Conduit Ceiling Mount Junction Box* *(Available in powdercoat finishes. Alumina finish fixtures ship with Black powdercoat CMJB.) SMK3 3/0 Surface Mount Kit* SMK4 4/0 Surface Mount Kit* *(Available in powdercoat finishes.) |
| | 086 45" - 86" | AS 90° Adjustable Shallow Canopy* *(Remote driver only) | | WH White | WH White | | | | | | |
| | 129 88" - 129" | AW Adjustable Wallwash | | AG Satin Silver | AG Satin Silver | | | | | | |
| | 172 131" - 172" | FB Fixed | | AU Cashmere Gold | AU Cashmere Gold | | | | | | |
| | | WW Wallwash Fixed | | AB Architectural Bronze | AB Architectural Bronze | | | | | | |
| | | | | BB Burnt Bronze | BB Burnt Bronze | | | | | | |
| | | | | BK Black | BK Black | | | | | | |
| | | | | CF Custom Finish* *(Consult Factory) | CF Custom Finish* *(Consult Factory) | | | | | | |
| | | | | ALUMINA CONSULT FACTORY FOR ALUMINA FINISHES | ALUMINA CONSULT FACTORY FOR ALUMINA FINISHES | | | | | | |
| | | | | | | | | | | | |

PART NUMBER NOTES

- CD1X Cylinder ships as CY1XFB1WHBK80S17A30404UCA3
- Dropkit Stem Assembly ships as CY1X-DK-(length)-(finish)
- Remote driver ships as e.g., PS-RMT-80S17A-1RE3
- Mounting part numbers listed on page 6



CYLINDER 1 SUSPENDED STEM DROPKIT

ACCESSORIES

ALTERNATE MEDIA

- SFL-CY1X-03** Soft Focus Lens
- HCL-CY1X-03** Honeycomb Louver *
- CGL-CY1X-03** Clear Glass Lens *
- FGL-CY1X-03** Frosted Glass Lens
- FSFL-CY1X-03** Frosted Soft Focus Lens
- FLSL-CY1X-03** Frosted Linear Spread Lens
- CGL-LSL-CY1X-03** Clear Glass Lens W/ Linear Spread Lens
- SFL-HCL-CY1X-03** Soft Focus Lens W/ Honeycomb Louver

Dropkit STEM EXTENSION

- RPS-DK-EXT-**** 2-42" Stem Extension
- ** Stem finish: Specify **WH** for white, **AG** for satin Silver, **AU** for cashmere gold, **AB** for architectural bronze, **BB** for burnt bronze, or **BK** for black.

STATIC WHITE REPLACEMENT OPTICS

- RO-50-15-S** 15° optic
- RO-50-20-S** 20° optic
- RO-50-25-S** 25° optic
- RO-50-40-S** 40° optic
- RO-50-60-S** 60° optic

WARM DIM REPLACEMENT OPTICS

- RO-50-20-W** 20° optic
- RO-50-25-W** 25° optic
- RO-50-40-W** 40° optic
- RO-50-60-W** 60° optic

TUNABLE WHITE REPLACEMENT OPTICS

- RO-50-15-T** 15° optic
- RO-50-20-T** 20° optic
- RO-50-25-T** 25° optic
- RO-50-40-T** 40° optic
- RO-50-60-T** 60° optic

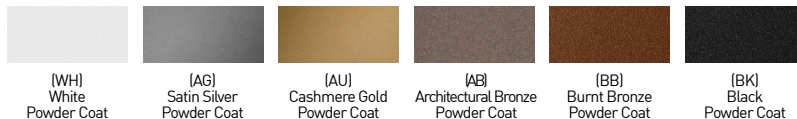
EMERGENCY LIGHTING - REMOTE MOUNT ONLY

During disruption of main power, emergency battery inverter provides temporary 120V or 277V to fixture.

- EMB-S-25-120/277-LEDX** 25 watt max capacity, 120 or 277 VAC 60Hz
- EMB-S-100-120-LEDX** 100 watt max capacity, 120 VAC 60Hz, 0-10V dimmable
- EMB-S-100-277-LEDX** 100 watt max capacity, 277 VAC 60Hz, 0-10V dimmable
- EMB-S-250-120/277-LEDX** 250 watt max capacity, 120 or 277 VAC 60Hz

***SHUNT REQUIRED FOR USE WITH ATHENA AND CASAMBI CONTROLS, CONSULT FACTORY FOR DETAILS.**

POWDERCOAT FINISHES



ALUMINA FINISHES BY LUCIFER LIGHTING™



CYLINDER 1 SUSPENDED STEM DROPKIT

WALLWASH DESIGN GUIDE



10° TILT

30" SETBACK / 30" ON CENTER SPACING

- 10FT CEILING SHOWN / 8-12FT IDEAL
- AVERAGE FC: 24.45
- MAX / MIN: 4.85
- 9 FIXTURES / 25FT WALL SHOWN



RECOMMENDED

15° TILT

36" SETBACK / 36" ON CENTER SPACING

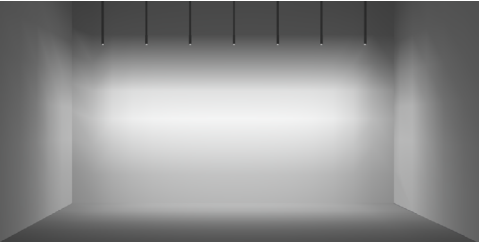
- 10FT CEILING SHOWN / 8-12FT IDEAL
- AVERAGE FC: 21.75
- MAX / MIN: 4.35
- 9 FIXTURES / 30FT WALL SHOWN



20° TILT

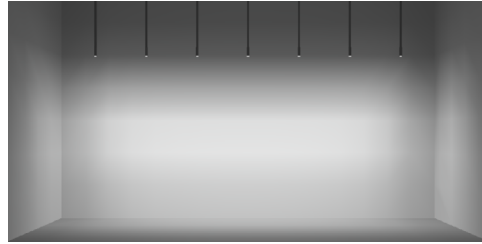
42" SETBACK / 42" ON CENTER SPACING

- 10FT CEILING SHOWN / 8-12FT IDEAL
- AVERAGE FC: 19.68
- MAX / MIN: 4.03
- 9 FIXTURES / 35FT WALL SHOWN



42" SETBACK / 30" ON CENTER SPACING

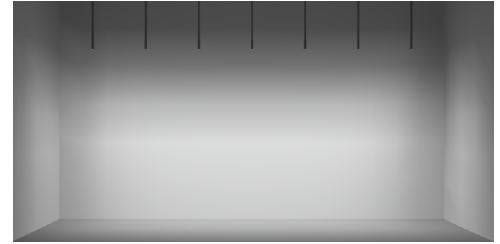
- 10FT CEILING SHOWN / 8-12FT IDEAL
- AVERAGE FC: 23.46
- MAX / MIN: 4.88
- 9 FIXTURES / 25FT WALL SHOWN



RECOMMENDED

48" SETBACK / 36" ON CENTER SPACING

- 10FT CEILING SHOWN / 8-12FT IDEAL
- AVERAGE FC: 18.62
- MAX / MIN: 4.76
- 9 FIXTURES / 30FT WALL SHOWN



54" SETBACK / 42" ON CENTER SPACING

- 10FT CEILING SHOWN / 8-12FT IDEAL
- AVERAGE FC: 15.07
- MAX / MIN: 4.90
- 9 FIXTURES / 35FT WALL SHOWN

ADDITIONAL SETBACKS AND SPACINGS

| ON CENTER SPACING | SETBACK / TILT | | | ON CENTER SPACING | SETBACK | | |
|-------------------|--------------------------------------|--------------------------------------|--------------------------------------|-------------------|--------------------------------------|--------------------------------------|--------------------------------------|
| | 30" / 10° | 36" / 15° | 42" / 20° | | 30" | 36" | 42" |
| 30" | SHOWN ABOVE | AVERAGE FC: 25.42 MAX / MIN: 4.36 | AVERAGE FC: 26.36 MAX / MIN: 4.14 | 42" | SHOWN ABOVE | AVERAGE FC: 20.84 MAX / MIN: 4.90 | AVERAGE FC: 18.65 MAX / MIN: 5.04 |
| 36" | AVERAGE FC: 20.87 MAX / MIN: 4.97 | SHOWN ABOVE | AVERAGE FC: 22.56 MAX / MIN: 4.08 | 48" | AVERAGE FC: 20.74 MAX / MIN: 4.66 | SHOWN ABOVE | AVERAGE FC: 16.64 MAX / MIN: 5.04 |
| 42" | AVERAGE FC: 18.21 MAX / MIN: 5.17 | AVERAGE FC: 18.94 MAX / MIN: 4.39 | SHOWN ABOVE | 54" | AVERAGE FC: 18.75 MAX / MIN: 4.75 | AVERAGE FC: 16.82 MAX / MIN: 4.68 | SHOWN ABOVE |

***ALL DATA REFLECTS 90S17A WATTAGE PACKAGE**

CYLINDER 1 SUSPENDED STEM DROPKIT

STATIC WHITE PERFORMANCE - 3000K

| LUMEN PACKAGE | WATTS | 10° OPTIC SOFT FOCUS LENS | | 15° OPTIC SOFT FOCUS LENS | | 20° OPTIC SOFT FOCUS LENS | | 25° OPTIC SOFT FOCUS LENS | | 40° OPTIC SOFT FOCUS LENS | | 60° OPTIC SOFT FOCUS LENS | | WALLWASH WALLWASH LENS | | ADJ. WALLWASH WALLWASH LENS | |
|------------------------|-------|---------------------------|-----|---------------------------|-----|---------------------------|-----|---------------------------|-----|---------------------------|-----|---------------------------|-----|------------------------|-----|-----------------------------|-----|
| | | DLVD | LPW | DLVD | LPW | DLVD | LPW | DLVD | LPW | DLVD | LPW | DLVD | LPW | DLVD | LPW | DLVD | LPW |
| | | 80S11A | 11 | - | - | 891 | 76 | 1080 | 98 | 1088 | 98 | 1002 | 91 | 1104 | 100 | 1160 | 105 |
| 80S17A/C | 17 | 587 | 35 | 1451 | 73 | 1623 | 95 | 1624 | 95 | 1495 | 88 | 1643 | 96 | 1776 | 104 | 1357 | 79 |
| 90S11A | 11 | - | - | 846 | 76 | 931 | 84 | 938 | 85 | 864 | 78 | 952 | 86 | 1000 | 90 | 783 | 71 |
| 90S17A/C | 17 | 506 | 30 | 1251 | 73 | 1399 | 82 | 1400 | 82 | 1291 | 75 | 1416 | 83 | 1531 | 90 | 1170 | 68 |
| 97S11A | 11 | - | - | 744 | 67 | 819 | 74 | 825 | 75 | 760 | 69 | 838 | 76 | 880 | 80 | 689 | 62 |
| 97S17A/C | 17 | 437 | 26 | 1101 | 64 | 1231 | 72 | 1232 | 72 | 1136 | 66 | 1246 | 73 | 1347 | 79 | 1030 | 60 |
| 90W18AL (2700K-1800K) | 18 | - | - | - | - | 1049 | 61 | 1023 | 60 | 930 | 54 | 997 | 58 | 1082 | 63 | 844 | 46 |
| 90W18AD (3000K-1800K) | 18 | - | - | - | - | 1039 | 61 | 1014 | 59 | 934 | 54 | 979 | 57 | 1122 | 66 | 875 | 48 |
| 90T17ATR (4000K-1800K) | 17 | - | - | 1112 | 65 | 1230 | 72 | 1234 | 72 | 1157 | 68 | 1291 | 75 | 1192 | 70 | 994 | 58 |
| 90T17ATH (5000K-2700K) | 17 | - | - | 1100 | 64 | 1213 | 71 | 1215 | 71 | 1174 | 69 | 1251 | 73 | 1178 | 69 | 982 | 57 |

| OUTPUT MULTIPLIER | |
|-------------------|-----------|
| CCT | CCT SCALE |
| 2400K | 0.76 |
| 2700K | 0.957 |
| 3000K | 1.000 |
| 3500K | 1.019 |
| 4000K | 1.030 |

| MEDIA LIGHT LOSS FACTOR | |
|-------------------------|-------------------|
| MEDIA | LIGHT LOSS FACTOR |
| No Lens | 1.07 |
| CGL | 0.99 |
| SFL | 1.00 |
| FGL | 0.90 |
| FSFL | 0.84 |
| FLSL | 0.85 |
| HCL | 0.68 |
| SFL+HCL | 0.63 |



JA8-2022 INDICATED BY SHADING

UNIFIED GLARE RATING

| 10° OPTIC SOFT FOCUS LENS | 15° OPTIC SOFT FOCUS LENS | 20° OPTIC SOFT FOCUS LENS | 25° OPTIC SOFT FOCUS LENS | 40° OPTIC SOFT FOCUS LENS | 60° OPTIC SOFT FOCUS LENS | WALLWASH WALLWASH LENS |
|---------------------------|---------------------------|---------------------------|---------------------------|---------------------------|---------------------------|------------------------|
| <16 | <16 | <10 | <10 | <10 | <16 | >19 |

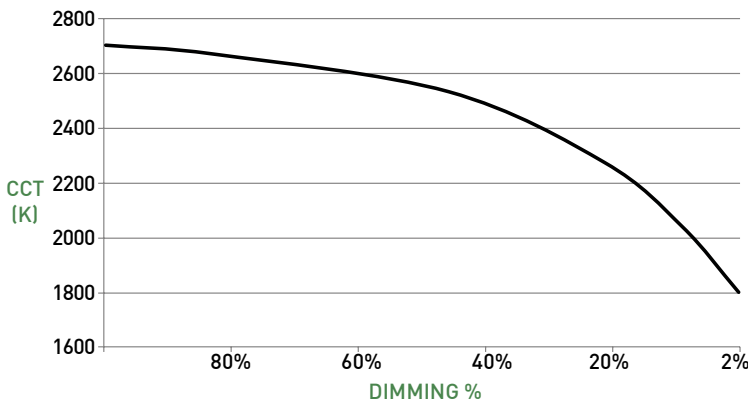
TUNABLE WHITE MULTIPLIER

| CCT | 5000K-2700K | 4000K-1800K |
|-------|-------------|-------------|
| 5000K | 1.16 | - |
| 4000K | 1.08 | 1.14 |
| 3500K | 1.04 | 1.07 |
| 3000K | 1.00 | 1.00 |
| 2700K | 0.96 | 0.92 |
| 2400K | - | 0.84 |
| 1800K | - | 0.69 |

WARM DIM PERFORMANCE - SOFT FOCUS LENS - 60° OPTIC

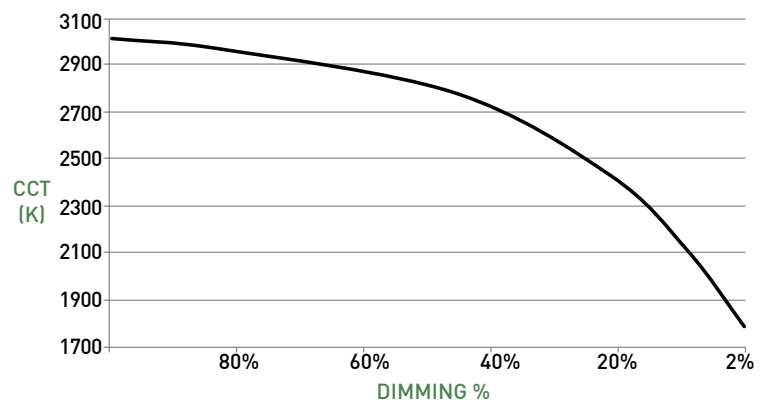
INCANDESCENT DIMMING PROFILE

| 90W18AL 2700K - 1800K | Full on 100% | Dimmed to 80% | Dimmed to 70% | Dimmed to 50% | Dimmed to 20% | Dimmed to 10% | Dimmed to 2% |
|-----------------------|--------------|---------------|---------------|---------------|---------------|---------------|--------------|
| CCT (K) | 2700 | 2650 | 2620 | 2520 | 2180 | 1950 | 1800 |
| Light Output (Lm) | 1216 | 973 | 851 | 608 | 243 | 122 | 24 |
| Power (W) | 18 | 14 | 13 | 9 | 4 | 2 | 0.4 |
| Efficacy (LPW) | 67 | 67 | 67 | 67 | 67 | 67 | 67 |



HALOGEN DIMMING PROFILE

| 90W18AD 3000K - 1800K | Full on 100% | Dimmed to 80% | Dimmed to 70% | Dimmed to 50% | Dimmed to 20% | Dimmed to 10% | Dimmed to 2% |
|-----------------------|--------------|---------------|---------------|---------------|---------------|---------------|--------------|
| CCT (K) | 3000 | 2950 | 2920 | 2775 | 2375 | 2000 | 1800 |
| Light Output (Lm) | 1202 | 962 | 841 | 601 | 240 | 120 | 24 |
| Power (W) | 18 | 14 | 13 | 9 | 4 | 2 | 0.4 |
| Efficacy (LPW) | 66 | 66 | 66 | 66 | 66 | 66 | 66 |



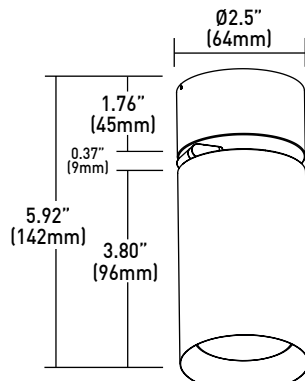
CYLINDER 1 SUSPENDED STEM DROPKIT

CYLINDER ASSEMBLY

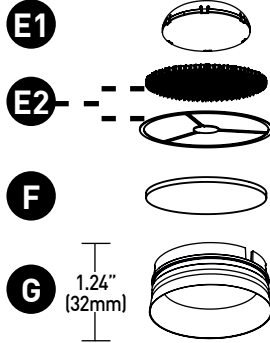
- A ADJUSTABLE - STANDARD CANOPY**
Die-cast canopy accommodates flat and sloped ceiling conditions. Conceals hidden mounting hardware. "AD" (90° tilt, 365° rotation) canopy features 1.76" (45mm) tall canopy. Available with integral or remote driver.
- B ADJUSTABLE - SHALLOW CANOPY**
Die-cast canopy accommodates flat and slope ceiling conditions. Conceals hidden mounting hardware. "AS" (90° tilt, 365° rotation) canopy features 0.65" (17mm) tall canopy, reducing overall height. Requires remote power supply.
- C FIXED BODY**
Body with integrated heat sink and LED. Conceals mounting hardware. Power supply may be integral or remote mount.
- D WALLWASH FIXED BODY**
- E1 OPTICS**
Robust light engine with optimized optic pairing integrates Reflection, Refraction, and TIR offering 10°, 15°, 20°, 25°, 40° & 60° beams.
- E2 10° FIELD REDUCER**
Included with 10° optic. Reduces field angle by 10%.
- F MEDIA**
Cylinder accepts 2 lenses; soft focus lens, no lens, or wallwash lens standard. Sealed in place for Wet locations.
- G BAFFLE**
Die-cast baffle minimizes aperture glare and conceals view into fixture.
- H DROPKIT**
 - Field cuttable rigid stem for suspending fixture at desired height. Provides stable base to allow preferred fixture tilt, while maintaining vertical stem position.
 - Ball joint allows up to 45° tilt for sloped ceilings and can be locked once stem is positioned vertically.
 - Four 43" sections available; 172" maximum standard length.
 - Length adjustment occurs in lower canopy.
 - Wiring for kit provided by others.

DIMENSIONS / DRAWINGS

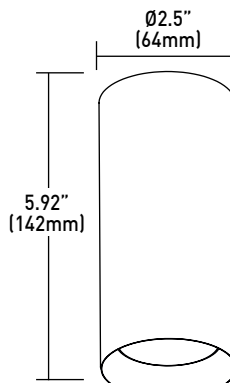
A ADJUSTABLE BODY STANDARD CANOPY



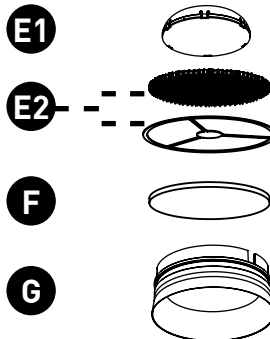
Cylinder weight
0.90 lbs



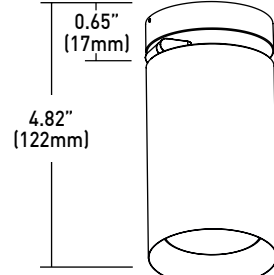
C FIXED BODY



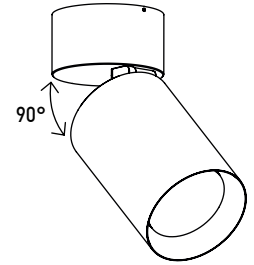
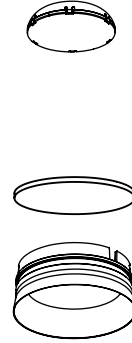
Cylinder weight
0.90 lbs



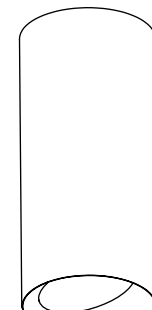
B ADJUSTABLE BODY SHALLOW CANOPY



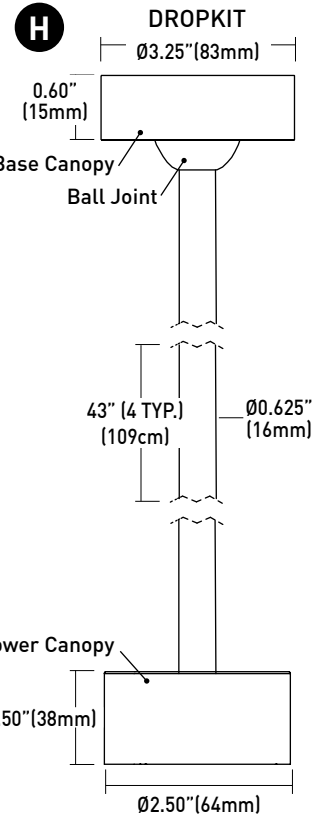
Cylinder weight
0.85 lbs



D WALLWASH FIXED BODY



Cylinder weight
0.90 lbs

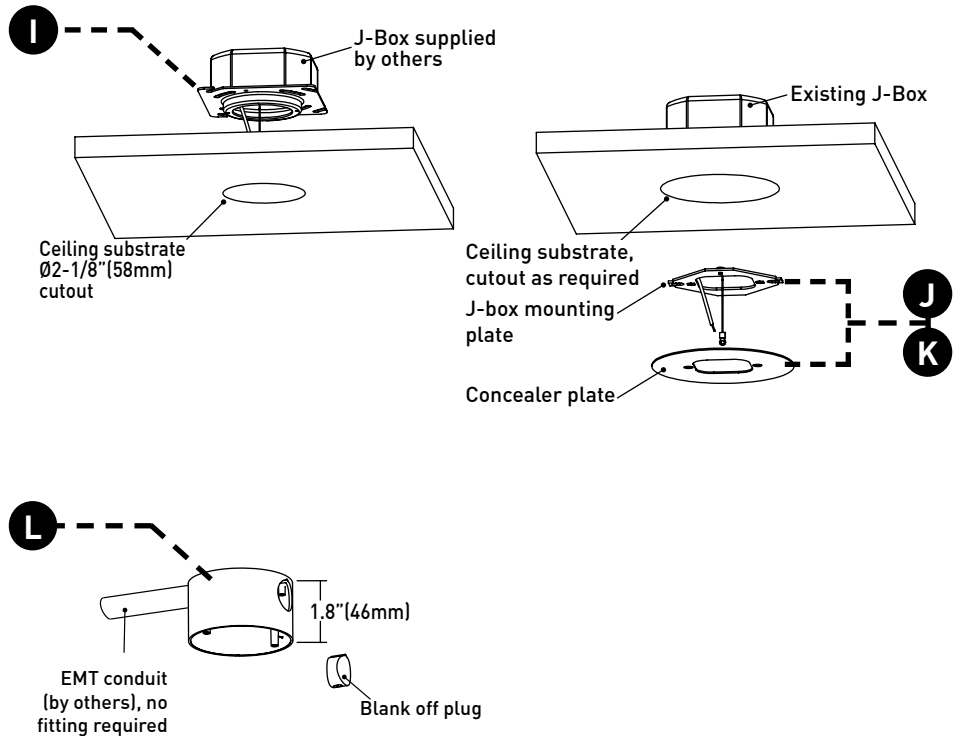


CYLINDER 1 SUSPENDED STEM DROPKIT

MOUNTING

- I JBMP**
Mounting plate (concealed) for standard 4" square or 4" 4/0 j-box. To be installed during rough-in prior to substrate. Fixture to mount flush with minimalist transition to ceiling.
Part Number - CDX-JBMP
- J SMK3**
Surface mount kit includes mounting plate and 4" concealer plate that installs between fixture and standard 3" 3/0 j-box for existing applications where standard j-box cutout is to be concealed.
Part Number - CDX-SMK-3/0-(FINISH)
- K SMK4**
Surface mount kit includes mounting plate and 5" concealer plate that installs between fixture and standard 4" 4/0 j-box for existing applications where standard j-box cutout is to be concealed.
Part Number - CDX-SMK-4/0-(FINISH)
- L CMJB**
Ceiling mount junction box perfectly matches the cylinder profile for a continuous, integrated look where exposed ceiling mount junction box and conduit applications apply. For use with 1/2" and 3/4" EMT conduit only. Features two conduit entrances on either side and one conduit knockout on top of j-box. J-box is IP10 rated; painted finishes only. Blank off plugs included.
Part Number - CDX-CMJB-(FINISH)

DIMENSIONS / DRAWINGS

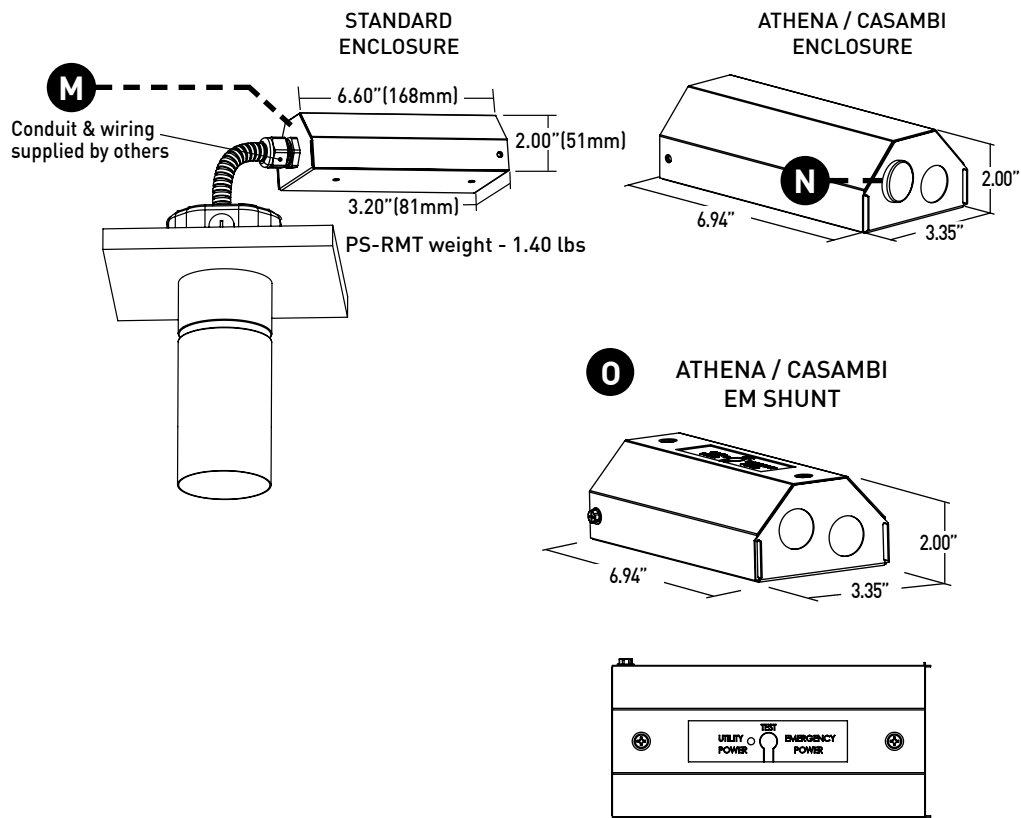


MOUNTING NOTES

- CDX-JBMP and CDX-SMK-3/0 & 4/0 not recommended for use with pancake style j-box.

REMOTE POWER SUPPLY

- M PS-RMT**
Remote power supply must be mounted in accessible area. Mounting device still required. Consult page 8 for dimming compatibility list. Consult install guide for complete details of suitable controls, wiring diagrams, and maximum allowable secondary run lengths between PS-RMT and cylinder.
- N ATHENA / CASAMBI CONTROL**
Controls integrated into remote driver assembly. All equipment is serviceable.
Athena Model Number: A-WN-D01-RF-BL & DC-OEM-DBI
Casambi Model Number: BT-S1E1-5400
- O ATHENA / CASAMBI EM SHUNT**
Included with drivers specified as ASR, ADR, CSR, or CDR. One required for each wireless EM fixture, requires class 2 control wiring between fixture and shunt. Features integrated test switch.
Model Number: PS-RMT-SHUNT



CYLINDER 1 SUSPENDED STEM DROPKIT

TECHNICAL

CONSTRUCTION

Cylinder: Die-cast aluminum body with integrated heat sink; painted finishes are granulated powder coat. Alumina finishes are anodized aluminum.

Dropkit Stem Assembly: Die-cast aluminum canopies and extruded aluminum stems; painted finishes are granulated powder coat.

CMJB: Die-cast aluminum body; painted finishes are granulated powder coat.

Remote Power Supply: 22 Gauge galvanized steel.

STATIC WHITE LED

2-step MacAdam ellipse LED module available in 80+, 90+ and 95+ CRI configurations in color temperatures of 2700K, 3000K, 3500K and 4000K.

3-step MacAdam ellipse LED module available in 90+ CRI configuration in color temperature of 2400K. Average rated lamp life: 50,000 hours. LED and driver assemblies are field-replaceable.

WARM DIM LED

3-step MacAdam ellipse warm dim LED module available in 90+ CRI configuration.

3000K or 2700K at full brightness, warming to 1800K at full dim. Average rated lamp life of 50,000 hours. LED and driver assemblies are field-replaceable.

TUNABLE WHITE LED

3-Step MacAdam ellipse tunable white LED module available in 90+ CRI configuration. Features tuning range of 2700K to 5000K and 1800K to 4000K.

Average rated lamp life of 50,000 hours. Driver assemblies are field-replaceable.

POWER SUPPLY PERFORMANCE AND DIMMING INFORMATION

| Power Supply | PHASE | | | 0-10V | | | | | | | ECO | DALI | | | ATHENA | CASAMBI |
|--------------|---------|--------|-------|---------|--------|--------|--------|--------|--------|--------|-------|--------|--------|--------|---------|---------|
| | 1CE/1RE | 1TR | 1L2 | UCA/URA | UAN | ULN | UEG | UEN | UDG | UDN | ULH | UED | ULD | UDD | UAS/UAD | UCS/UCD |
| Minimum °C | -20 °C | -20 °C | 0 °C | -20 °C | -20 °C | -20 °C | -20 °C | -20 °C | -20 °C | -20 °C | 0 °C | -20 °C | -20 °C | -20 °C | 0 °C | -20 °C |
| Maximum °C | 40 °C | 40 °C | 40 °C | 40 °C | 40 °C | 40 °C | 40 °C | 40 °C | 40 °C | 40 °C | 40 °C | 40 °C | 40 °C | 40 °C | 40 °C | 40 °C |
| Dimming % | 1.0% | 2.0% | 1.0% | 1.0% | 1.0% | 1.0% | 0.1% | 0.1% | 0.1% | 0.1% | 1.0% | 0.1% | 0.1% | 0.1% | 0.1% | 0.1% |

Note: For 1TR, 1L2, ULH, UAN, ULN, UEG and UEN drivers consult chart on page 7 to confirm appropriate dimming curve for compatibility with selected control.

MAXIMUM ALLOWABLE REMOTE DRIVER WIRING DISTANCES

| DRIVER | WIRE AWG | | | | |
|---|----------|------|------|-----|-----|
| | 12 | 14 | 16 | 18 | 20 |
| URA, 1RE | - | 164' | 105' | 66' | 40' |
| 1TR, UAN, ULN | 285' | 180' | 113' | 71' | 45' |
| 1L2, ULH | 60' | 40' | 25' | 15' | - |
| UEG, UEN, UED, ULD, DD1, DG1, DN1, UAS, UCS, UAD, UCD | - | - | 118' | 72' | 46' |

WALLWASH SPACING AND TILT

Adjustable Wallwash Cylinder must be tilted to achieve wallwashing effect. Recommended fixture spacing is 36" (914mm) on center with 36" (914mm) setback from wall plane with 30° tilt.

MOUNTING

Cylinder is supplied with a mounting adaptor plate, which integrates with required additional mounting accessories specified separately according to field application conditions, providing a minimalist transition from standard 4/0 or 4" square junction boxes and accommodating ceiling thicknesses of 0.44" (12mm) to 0.75" (19mm). Ceiling-mount junction box available for 1/2" (13mm) and 3/4" (19mm) conduit and feature concealed internal clamps for clean fitting-free conduit exit and entry.

LISTING

cTUVus listed to UL1598 standard for Dry / Damp (IP30) location. Title 24 JA8-2022 Listed. NEMA 410 Compliant. Buy American Act compliant.

DECLARE

LBC Red List Approved.

WARRANTY

Manufacturer's 1-year warranty guarantees product(s) listed to be free from defects in material and workmanship under normal use and service. 5-year warranty on LED and power supply to operate with 70% of the original flux and remain within a range of 3 duv. 10-year Lutron Advantage limited warranty available on Lutron equipped systems. Warranty period begins from the date of shipment by Seller. Consult [website](#) for full warranty terms and conditions.

CHANGE LOG

1.03/15/2024: ADDED 10 DEGREE FIELD REDUCER, UPDATED 10 DEGREE PERFORMANCE DATA.

CYLINDER 1 SUSPENDED STEM DROPKIT

DIMMING COMPATIBILITY

PHILIPS DRIVER COMPATIBILITY

| Power supply 1TR Manufacturer | Family/Model # |
|-------------------------------------|-----------------------|
| Lutron Electronics | DV-600P |
| Lutron Electronics | DVELV-303P |
| Lutron Electronics | NTELV-600 |
| Lutron Electronics | MAELV-600 |
| Lutron Electronics | SELV-300P |
| Lutron Electronics | DVLV-600P |
| Lutron Electronics | NFTU-5A |
| Lutron Electronics | CTCL-153P |
| Lutron Electronics | GL-600H |
| Lutron Electronics | S-600P |
| Lutron Electronics | PHPM |
| Power supply UAN / ULN Manufacturer | Family/Model # |
| Lutron Electronics | DVTV plus PP-DV |
| Lutron Electronics | DVSCTV plus PP-DV |
| Lutron Electronics | DVSTV |
| Lutron Electronics | DVSCSTV |
| Lutron Electronics | QSGRJ-XP plus GRX-TVI |
| Lutron Electronics | QSGRJ-XE plus GRX-TVI |
| Lutron Electronics | QSGR-XE plus GRX-TVI |
| Lutron Electronics | NFTV plus PP-DV |
| Lutron Electronics | NTSTV |
| Lutron Electronics | RMJ-5T |
| Lutron Electronics | RMJS-8T |
| Lutron Electronics | FCJS-010 |
| Leviton | IllumaTch IP7 series |
| Philips | Sunrise - SR1200ZTUNV |

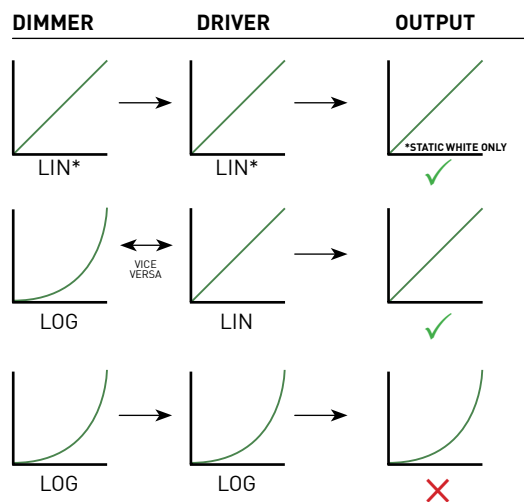
LUTRON DRIVER COMPATIBILITY

| Power supply 1L2 Lutron Product Family | Part No. |
|---|-------------------------------|
| Maestro WirelessR 600 W dimmer | MRF2-6ND-120- |
| Maestro WirelessR 1000 W dimmer | MRF2-10ND-120- |
| Caséta® Wireless Pro 1000 W dimmer | PD-10NXD- |
| GRAFIK T™ CL® dimmer | GT-250M-GTJ-250M- |
| HomeWorks® QS adaptive dimmer | HQRD-6NA- |
| HomeWorks® QS 600 W dimmer | HQRD-6ND- |
| HomeWorks® QS 1000 W dimmer | HQRD-10ND- |
| RadioRA® 2 adaptive dimmer | RRD-6NA- |
| RadioRA® 2 1000 W dimmer | RRD-10ND |
| myRoom™ DIN power module | MQSE-4A1-D |
| HomeWorks® QS DIN power module | LQSE-4A1-D |
| HomeWorks® QS wallbox power module | HQRJ-WPM-6D-120 |
| HomeWorks® wallbox power module | HWI-WPM-6D-120 |
| GRAFIK Eye® QS control unit | QSGR-, QSGRJ- |
| GRAFIK Eye® 3000 control unit | GRX-3100-GRX-3500- |
| RPM-4U module (LCP, HomeWorks® QS, GRAFIK Systems™, Quantum®) | HW-RPM-4U-120 LP-RPM-4U-120 |
| RPM-4A module (LCP, HomeWorks® QS, GRAFIK Systems™, Quantum®) | HW-RPM-4A-120, LP-RPM-4A-120 |
| GP dimming panels | Various |
| Ariadni CL 250W dimmer | AYCL-253P- |
| Diva CL 250W dimmer | DVCL-253P-DCSCCL-253P- |
| Nova T CL 250W dimmer | NTCL-250- |
| Power supply ULH Lutron Product Family | Part No. |
| PowPak Dimming Modules | RMJ-ECO32-DV-B |
| PowPak Dimming Modules | FCJ/FCJS-ECO |
| Energi Savr Nodes | QSN-1ECO-S |
| GRAFIK Eye QS control unit | QSN-2ECO-S |
| Homeworks QS control unit | QSGRJ- _E (wireless) QSGR- _E |
| Quantum Hub | QP2-__ 2C |
| Quantum Hub | QP2-__ 4C |
| Quantum Hub | QP2-__ 6C |
| Quantum Hub | QP2-__ 8C |
| Homeworks QS power module | LQSE-2ECO-D |
| myRoom Plus power module | |

eldoLED DRIVER COMPATIBILITY

| Power supply UEG / UEN Dimmer / Switch Control Manufacturer | Family/Model # |
|--|--------------------------------|
| Busch-Jaeger | 2112U-101 |
| Jung | 240-10 |
| Leviton Lighting Controls | IP710-DLX |
| Lightolier Controls | ZP600FAM120 |
| Lutron Electronics | Nova T® - NTFTV |
| Lutron Electronics | Divva® - DVTV |
| Lutron Electronics | Nova® - NFTV |
| Merten | 5729 |
| Pass & Seymour | CD4FB-W |
| The Watt Stopper | DCLV1 |
| Sensor Switch | nIO EZ |
| Synergy | ISD BC |
| Power supply UEG / UEN Lighting Control Systems Manufacturer | Family/Model # |
| Lutron Electronics | GrafixEye® GRX-TVI w GRX3503 |
| Lutron Electronics | Energy Savr Node™ - QSN-4T16-S |
| Lutron Electronics | TVM2 Module |
| Crestron® | GLX-DIMFLV8 |
| Crestron® | GLXP-DIMFLV8 |
| Crestron® | GLPAC-DIMFLV4-* |
| Crestron® | GLPAC-DIMFLV8-* |
| Crestron® | GLPP-DIMFLVEX-PM |
| Crestron® | GLPP-1DIMFLV2EX-PM |
| Crestron® | GLPP-1DIMFLV3EX-PM |
| Crestron® | DIN-A08 |
| Crestron® | DIN-4DIMFLV4 |
| Crestron® | CLS-EXP-DIMFLV |
| Crestron® | CLCI-1DIMFLV2EX |
| ABB | SD/S 2.16.1 |

ANALOG DRIVERS AND DIMMERS



LIN = LINEAR
 LOG = LOGARITHMIC
 *LIN-TO-LIN NOT COMPATIBLE FOR WARM DIM

