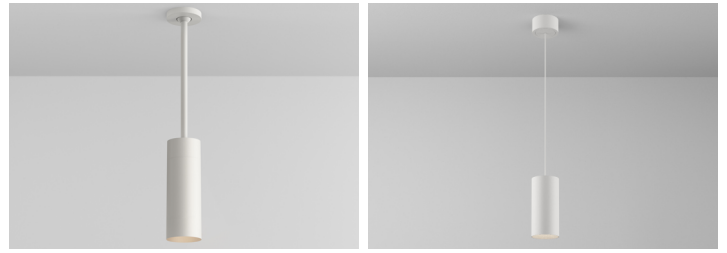


CYLINDER 3 FIXED & WALLWASH SUSPENDED MOUNT

In Q1 2024 we will begin shipping the CD3X and CP3X in place of the current CD3 and CP3. This enhanced fixture features dimensions of Ø3.9" x 8.4", lumen outputs up to 3361 lm delivered, more finish options, and additional wet location options. We will continue to receive orders for the CD3 and CP3 through the end of 2023. See Page 2 for fixture comparison.

PROJECT NAME:	TYPE:
---------------	-------



ORDERING INFORMATION - CYLINDER

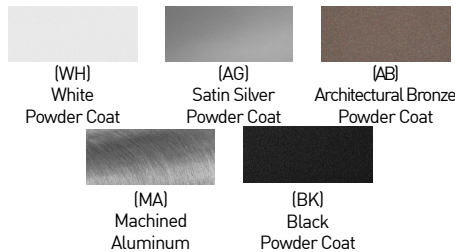


Quick Ship Product. All rough in components ship within 10 days up to quantities of 100.



JA8-2019 COMPLIANCE INDICATED BY SHADING

CYLINDER	LENGTH	FIXTURE	RATING	CYLINDER FINISH	BAFFLE FINISH	LUMEN PACKAGE	CCT	OPTIC	DRIVER	EFFECTS DEVICE	MOUNTING	
			1									
Dropkit® STEM ASSEMBLY CD3 3.25"	043 2" - 43" Mechanical Dropkit Stem	FB Fixed Body WW Fixed Body Wallwash	1 Dry / Damp	WH White AG Satin Silver* AB Architectural Bronze* BK Black CF Custom Finish*	WH White AG Satin Silver* AB Architectural Bronze* BK Black CF Custom Finish*	LOW FLUX STATIC WHITE 80C19A 80+ CRI FB Dlv. Lumens - 1127 WW Dlv. Lumens - 1280 80C25A 80+ CRI FB Dlv. Lumens - 1502 WW Dlv. Lumens - 1699 90C15A 90+ CRI FB Dlv. Lumens - 905 WW Dlv. Lumens - 1096 90C20A 90+ CRI FB Dlv. Lumens - 1287 WW Dlv. Lumens - 1456 97C14A 97+ CRI FB Dlv. Lumens - 863 WW Dlv. Lumens - 980 97C19A 97+ CRI FB Dlv. Lumens - 1151 WW Dlv. Lumens - 1317	22 2200K* 27 2700K 30 3000K 35 3500K 40 4000K	10 10°* 15 15° 25 25° 40 40° 60 60° WW Wall wash*	INTEGRAL CA2 120-277V 0-10V Analog* CE3 120V Electronic ELV Forward / Reverse Phase REMOTE (120V) TR2 Philips, 2% Leading / Trailing / Triac* L23 Lutron, Hi-Lume 1% 2-Wire REMOTE (120-277V) LH1 Lutron, Hi-Lume Ecosystem 1% Fade to Black LP1 Lutron, Hi-Lume Premier Ecosystem 0.1% Fade to Black AN4 Philips Xitanium 1% 0-10V, LOG LN2 Philips Xitanium 1% 0-10V, LIN EA2 eldoLED, SOLOdrive 0.1% 0-10V, LOG LA2 eldoLED, SOLOdrive 0.1% 0-10V, LIN ED1 eldoLED, SOLOdrive 0.1% DALI, LOG LD1 eldoLED, SOLOdrive 0.1% DALI, LIN TUNABLE WHITE REMOTE (120-277V) DD1 eldoLED, DUALdrive 0.1% DALI, LOG DG1 eldoLED, DUALdrive 0.1% 0-10V, LOG DN1 eldoLED, DUALdrive 0.1% 0-10V, LIN	STANDARD EFFECTS DEVICE 4 Soft Focus Lens N No Lens* W Wallwash Lens* ALTERNATE EFFECTS DEVICE 2 Honeycomb Louver* 3 Clear Glass Lens* 5 Frosted Glass Lens 6 Frosted Soft Focus Lens 7 Frosted Linear Spread Lens 8 Soft Focus Lens w/ Linear Spread Film C Clear Glass Lens w/ Linear Spread Film	ROUGH-IN JBMP 4" Sq. or 4/0 Junction Box Mounting Plate FINISH OUT SMK3 3/0 Surface Mount Kit SMK4 4/0 Surface Mount Kit CMJB 1/2" and 3/4" Conduit Ceiling Mount Junction Box*	
	086 45" - 86" Mechanical Dropkit Stem											
	129 88" - 129" Mechanical Dropkit Stem											
	172 131" - 172" Mechanical Dropkit Stem											
	*All lengths are field cuttable											
PENDANT CP3 3.25"	XXXB Black Cable XXXW White Cable Specify cable length in whole inches (Max 180) ex. specify 006B for a 6 inch black cable*	FB Fixed Body	1 Dry / Damp	WH White AG Satin Silver* AB Architectural Bronze* BK Black MA Machined Aluminum CF Custom Finish*	BK Black	HIGH FLUX STATIC WHITE 80C32A 80+ CRI FB Dlv. Lumens - 1961 WW Dlv. Lumens - 2218 90C27A 90+ CRI FB Dlv. Lumens - 1680 WW Dlv. Lumens - 1834 97C24A 97+ CRI FB Dlv. Lumens - 1503 WW Dlv. Lumens - 1706 WARM DIM 90W11A 90+ CRI, Incandescent Profile FB Dlv. Lumens - 941 WW Dlv. Lumens - 813 90W12A 90+ CRI, Standard Profile FB Dlv. Lumens - 991 WW Dlv. Lumens - 1013 TUNABLE WHITE 90T10A 90+ CRI, Delivered Lumens - 1104*	27 2700K 30 3000K 35 3500K* 40 4000K WL 2700K - 1800K WD 3000K - 1800K TW 5000K - 2700K	15 15° 25 25° 40 40° 60 60° WW Wall wash*	REMOTE (120-277V) LP1 Lutron, Hi-Lume Premier Ecosystem 0.1% Fade to Black AN4 Philips Xitanium 1% 0-10V, LOG LN2 Philips Xitanium 1% 0-10V, LIN EA2 eldoLED, SOLOdrive 0.1% 0-10V, LOG LA2 eldoLED, SOLOdrive 0.1% 0-10V, LIN ED1 eldoLED, SOLOdrive 0.1% DALI, LOG LD1 eldoLED, SOLOdrive 0.1% DALI, LIN	2 Honeycomb Louver* 3 Clear Glass Lens* 5 Frosted Glass Lens 6 Frosted Soft Focus Lens 7 Frosted Linear Spread Lens 8 Soft Focus Lens w/ Linear Spread Film C Clear Glass Lens w/ Linear Spread Film	JBMP 4" Sq. or 4/0 Junction Box Mounting Plate FINISH OUT SMK3 3/0 Surface Mount Kit SMK4 4/0 Surface Mount Kit CMJB 1/2" and 3/4" Conduit Ceiling Mount Junction Box*	
	Specify cable length in whole inches (Max 180) ex. specify 006B for a 6 inch black cable*											
	*Cable is field cuttable											
	*SEE PAGE 3 FOR DETAILED WARM DIM PROFILE COMPARISON.											
	*ALL DELIVERED LUMEN OUTPUTS AND T24 COMPLIANCE REFLECT 3000K PAIRED WITH 40° / WW OPTIC AND STANDARD EFFECTS DEVICE. REFERENCE PAGE 3 FOR ADDITIONAL T24 COMPLIANT CONFIGURATIONS.											



PART NUMBER NOTES

- CD3 Adjustable ships as e.g., CY3-FB1-WHBK-90C20A2-30CA240
- Stem Assembly ships as CY3-DK-(length)-(finish)
- CP3 ships as e.g., CP3-1-180-WH-90C20A2-3-RMT-4-W
- Remote driver ships as e.g., PS-RMT-90C20A-1L23
- Mounting ships separate from fixture, part numbers listed on page 8.



luciferlighting.com

©2023 Lucifer® Lighting Company

As part of its policy of continuous research and product development, the company reserves the right to change or withdraw specifications without prior notice.

[PH] +1-210-227-7329
[FAX] +1-210-227-4967

pg. 1

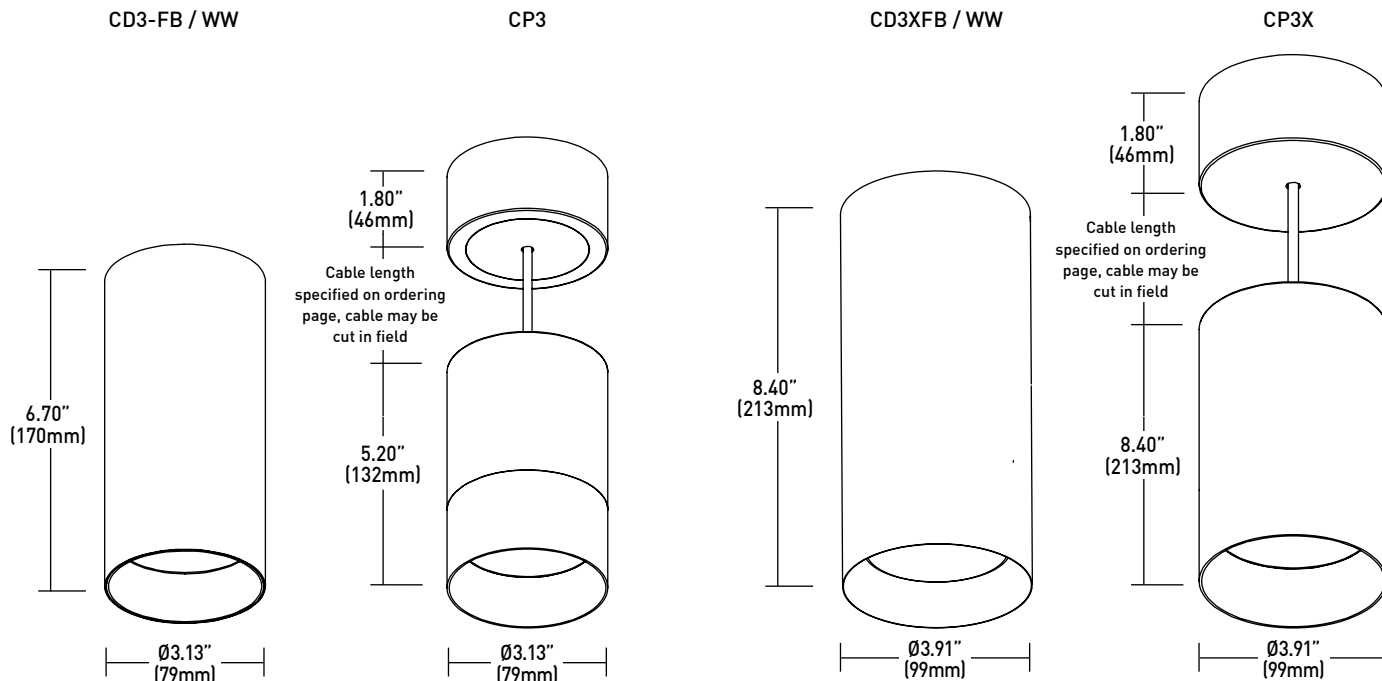
[DATE OF REV: 08082023]

CYLINDER 3 FIXED & WW SURFACE MOUNT

FIXTURE COMPARISON

CURRENT CD3 / CP3

NEW CD3X / CP3X



FIXTURE COMPARISON	CURRENT CD3 / CP3	NEW CD3X / CP3X
MAX DELIVERED LUMENS	2353	3361
FIXTURE FINISHES	POWDERCOAT	POWDERCOAT AND ALUMINA FINISHES BY LUCIFER LIGHTING™ (DROPKIT POWDERCOAT ONLY)
BAFFLE FINISHES	BLACK POWDERCOAT	POWDERCOAT AND ALUMINA FINISHES BY LUCIFER LIGHTING™ (DROPKIT POWDERCOAT ONLY)
EFFECTS DEVICES	1	2
DECLARE	DECLARE LISTED	DECLARE RED LIST APPROVED
BUY AMERICAN ACT	NO	YES

ALUMINA FINISHES BY LUCIFER LIGHTING™



*ALUMINA FINISHES ARE ANODIZED ALUMINUM

CYLINDER 3 FIXED & WW SUSPENDED MOUNT

ACCESSORIES

FIXED BODY ALTERNATE BAFFLE AND EFFECTS DEVICE

Includes baffle with sealed lens. Must specify baffle finish.

- RBA-CY3-**-HCL** Honeycomb Louver *

*(Not available for Warm Dim)

- RBA-CY3-**-CGL** Clear Glass Lens *

*(Not available for Warm Dim)

- RBA-CY3-**-SFL** Soft Focus Lens
- RBA-CY3-**-FGL** Frosted Glass Lens
- RBA-CY3-**-FSFL** Frosted Soft Focus Lens
- RBA-CY3-**-FLSL** Frosted Linear Spread Lens
- RBA-CY3-**-SFL-LSL** Soft Focus Lens W/ Linear Spread Film
- RBA-CY3-**-CGL-LSL** Clear Glass Lens W/ Linear Spread Film

** Baffle finish: Specify **WH** for white, **BK** for black, **AG** for satin silver or **AB** for architectural bronze.

PENDANT ALTERNATE EFFECTS DEVICES

- HCL-CY3-03** Honeycomb Louver *

*(Not available for Warm Dim)

- CGL-CY3-03** Clear Glass Lens *

*(Not available for Warm Dim)

- SFL-CY3-03** Soft Focus Lens
- FGL-CY3-03** Frosted Glass Lens
- FSFL-CY3-03** Frosted Soft Focus Lens
- FLSL-CY3-03** Frosted Linear Spread Lens
- SFL-LSL-CY3-03** Soft Focus Lens W/ Linear Spread Film
- CGL-LSL-CY3-03** Clear Glass Lens W/ Linear Spread Film

LOW FLUX AND WARM DIM REPLACEMENT OPTICS

Interchangeable optics accessible by removing snoot or baffle. Not available for Wallwash fixtures.

- RO-70-15-1** 15° optic *

*(Not available for Warm Dim)

- RO-70-25-1** 25° optic
- RO-70-40-1** 40° optic
- RO-70-60-1** 60° optic

HIGH FLUX AND TUNABLE WHITE REPLACEMENT OPTICS

Interchangeable optics accessible by removing snoot or baffle. Not available for Wallwash fixtures.

- RO-70-15-2** 15° optic
- RO-70-25-2** 25° optic
- RO-70-40-2** 40° optic
- RO-70-60-2** 60° optic

FIXED BODY REPLACEMENT SUCTION TOOL

Included with each CY3-FB order (1 per 10 fixtures).

- CY-SQ-TOOL-SUCTION** Baffle assembly removal tool

Dropkit STEM EXTENSION

- RPS-DK-EXT-**-**** 2" - 43" Stem Extension

** Stem finish: Specify **WH** for white, **BK** for black, **AG** for satin silver or **AB** for architectural bronze.

EMERGENCY LIGHTING - REMOTE MOUNT ONLY

Not available with CA2 driver, consult factory for details.

- EMB-S-20/25-120/277-LEDX** 20/25 watt max capacity, 120 or 277 VAC 60Hz
- EMB-S-100-120-LEDX** 100 watt max capacity, 120 VAC 60Hz
- EMB-S-100-277-LEDX** 100 watt max capacity, 277 VAC 60Hz
- EMB-S-250-120/277-LEDX** 250 watt max capacity, 120 or 277 VAC 60Hz

During disruption of main power, emergency battery inverter provides temporary 120V or 277V to fixture.

CYLINDER 3 FIXED & WW SUSPENDED MOUNT

WALLWASH DESIGN GUIDE



8FT CEILING
36" SETBACK / 48" ON CENTER SPACING



10FT CEILING
36" SETBACK / 48" ON CENTER SPACING

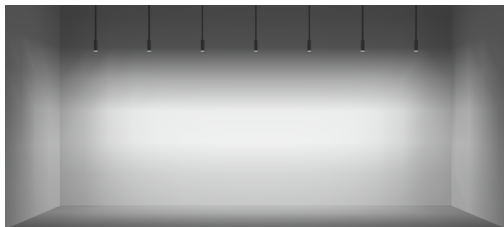


12FT CEILING
36" SETBACK / 48" ON CENTER SPACING



30" SETBACK / 42" ON CENTER SPACING

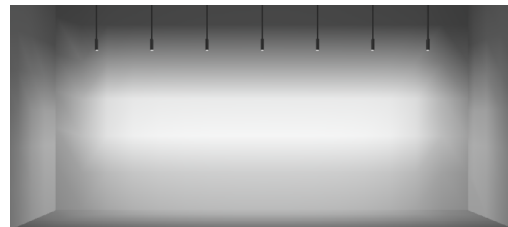
- AVERAGE FC: 23.92
- MAX / MIN: 5.08
- 10FT CEILING SHOWN / 8-12FT IDEAL
- 7 FIXTURES / 25FT WALL SHOWN



RECOMMENDED

36" SETBACK / 48" ON CENTER SPACING

- AVERAGE FC: 19.27
- MAX / MIN: 5.59
- 10FT CEILING SHOWN / 8-12FT IDEAL
- 7 FIXTURES / 28FT WALL SHOWN



42" SETBACK / 54" ON CENTER SPACING

- AVERAGE FC: 15.63
- MAX / MIN: 6.19
- 10FT CEILING SHOWN / 8-12FT IDEAL
- 7 FIXTURES / 32FT WALL SHOWN

ADDITIONAL SETBACKS AND SPACINGS

ON CENTER SPACING	SETBACK		
	30"	36"	42"
42"	SHOWN ABOVE	AVERAGE FC: 21.55 MAX / MIN: 5.77	AVERAGE FC: 19.33 MAX / MIN: 6.99
48"	AVERAGE FC: 21.35 MAX / MIN: 4.31	SHOWN ABOVE	AVERAGE FC: 17.30 MAX / MIN: 6.30
54"	AVERAGE FC: 19.31 MAX / MIN: 4.69	AVERAGE FC: 17.41 MAX / MIN: 5.43	SHOWN ABOVE

***ALL DATA REFLECTS 90C20A LUMEN PACKAGE**

CYLINDER 3 FIXED & WW SUSPENDED MOUNT

STATIC WHITE PERFORMANCE - 3000K

LUMEN PACKAGE	WATTAGE	10° OPTIC NO SOFT FOCUS LENS		15° OPTIC SOFT FOCUS LENS		20° OPTIC SOFT FOCUS LENS		40° OPTIC SOFT FOCUS LENS		60° OPTIC SOFT FOCUS LENS		WW OPTIC WALLWASH LENS	
		DELIVERED	LPW	DELIVERED	LPW	DELIVERED	LPW	DELIVERED	LPW	DELIVERED	LPW	DELIVERED	LPW
80C19A	17	1040	60	1352	80	1314	77	1127	66	1202	71	1280	75
80C25A	24	-	-	1802	76	1752	73	1502	63	1602	67	1699	71
80C32A	33	-	-	2353	71	2288	69	1961	59	2092	63	2218	67
90C15A	17	882	51	1158	68	1127	66	905	53	1030	61	1096	64
90C20A	24	-	-	1544	65	1502	63	1287	54	1373	58	1456	61
90C27A	33	-	-	2016	61	1960	59	1680	51	1792	54	1834	56
97C14A	17	731	43	1037	61	1007	59	863	51	921	54	980	58
97C19A	24	-	-	1382	58	1343	56	1151	48	1228	51	1317	55
97C24A	33	-	-	1804	55	1754	53	1503	46	1603	49	1706	52
90W11A	16	-	-	-	-	994	62	941	59	986	62	813	50
90W12A	16	-	-	-	-	1046	65	991	62	1038	65	1013	63
90T10A	14	-	-	916	55	848	51	749	45	1104	66	971	58

OUTPUT MULTIPLIER	
CCT	CCT SCALE
2200K <small>(Consult factory for JA8 details)</small>	0.800
2700K	0.957
3000K	1.000
3500K	1.019
4000K	1.030

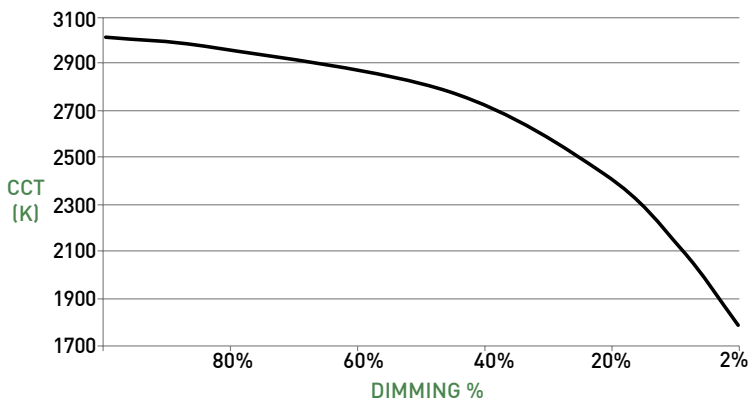
LIGHT LOSS FACTOR MULTIPLIER	
No Lens	1.05
SFL	1.00
CGL	1.00
FGL	0.90
FSFL	0.87
FLSL	0.83
SFL W/ LINEAR SPREAD	0.82
CGL W/ LINEAR SPREAD	0.82
HCL	0.65

TITLE 24 JA8-2019 INDICATED BY SHADING

WARM DIM PERFORMANCE - SOFT FOCUS LENS - 60° OPTIC

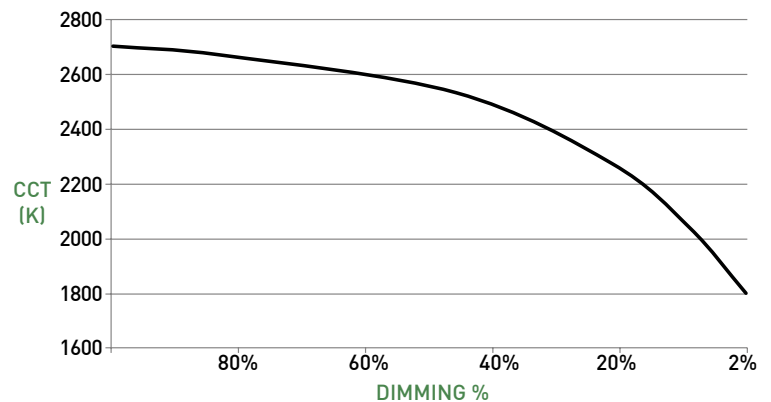
WARM DIM TO MIRROR STANDARD DIMMING PROFILE

90W12A 3000K - 1800K	Full on 100%	Dimmed to 80%	Dimmed to 70%	Dimmed to 50%	Dimmed to 20%	Dimmed to 10%	Dimmed to 2%
CCT (K)	3000	3150	3100	3000	2700	2200	1800
Light Output (Lm)	1038	830	726	519	207	103	20
Power (W)	16	13	11	8	3	1.7	0.3
Efficacy (LPW)	65	65	65	65	65	65	65



WARM DIM TO MIRROR INCANDESCENT DIMMING PROFILE

90W11A 2700K - 1800K	Full on 100%	Dimmed to 80%	Dimmed to 70%	Dimmed to 50%	Dimmed to 20%	Dimmed to 10%	Dimmed to 2%
CCT (K)	2700	2650	2620	2520	2180	1950	1800
Light Output (Lm)	986	788	690	493	197	98	19
Power (W)	16	13	11	8	3	1.7	0.3
Efficacy (LPW)	62	62	62	62	62	62	62

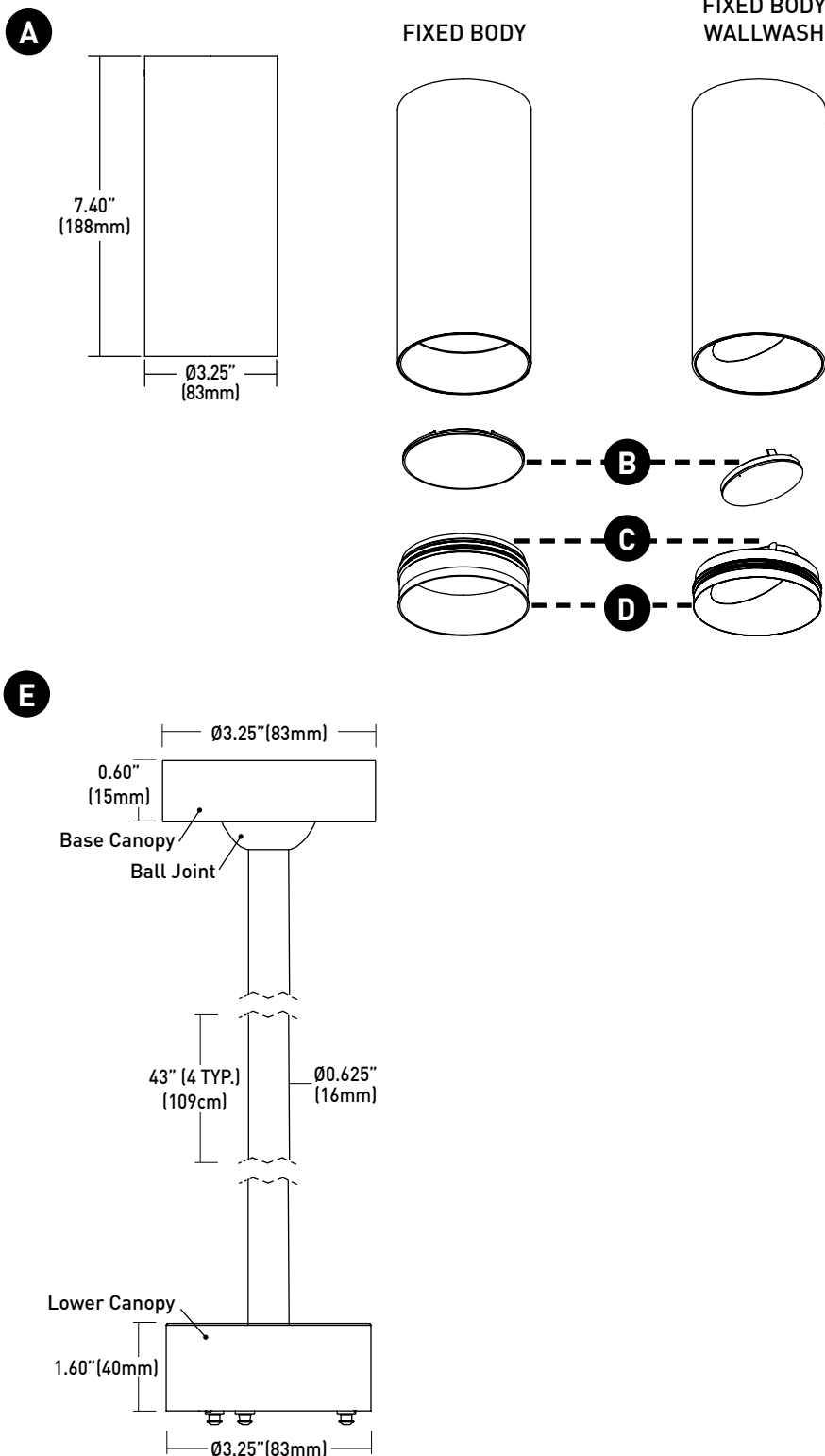


CYLINDER 3 FIXED & WW SUSPENDED MOUNT

Dropkit STEM ASSEMBLY

- A LUMINAIRE**
Body with integrated heat sink and LED. Conceals mounting hardware. Power supply may be integral or remote mount.
- B STANDARD OPTICS**
Proprietary optics available in 10°, 15°, 25°, 40° & 60° beams.
- WALLWASH OPTIC**
Precision tuned optic provides uniform wallwashing effect.
- C EFFECTS DEVICE**
Cylinder baffle assembly can accept 1 lens. Soft focus lens, no lens or wallwash lens standard; lenses sealed in place.
- D BAFFLE**
Baffle minimizes aperture glare and conceals view into fixture. Suction tool provided for removal of CY3-FB baffle.
- E Dropkit**
 - Field cuttable rigid stem for suspending fixture at desired height. Provides stable base to allow preferred fixture tilt, while maintaining vertical stem position.
 - Ball joint allows up to 45° tilt for sloped ceilings and can be locked once stem is positioned vertically.
 - Four 43" sections available; 172" maximum standard length.
 - Length adjustment occurs in lower canopy.
 - Wiring for kit provided by others.

DIMENSIONS / DRAWINGS

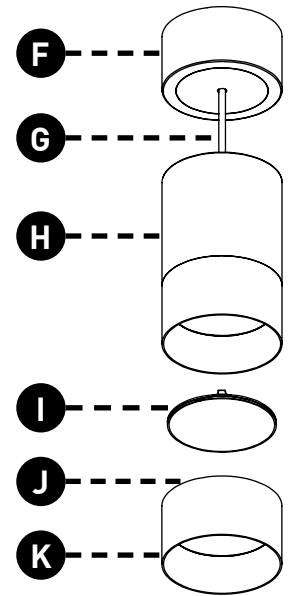
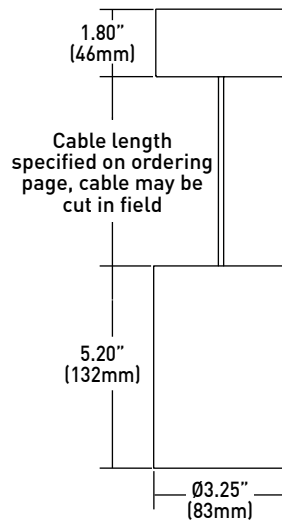


CYLINDER 3 FIXED & WW SUSPENDED MOUNT

PENDANT

DIMENSIONS / DRAWINGS

- F CANOPY**
Die-cast 1.60" (41mm) canopy accommodates flat and slope ceiling conditions. Conceals hidden twist-on mounting hardware. Available with integral or remote driver.
- G CABLE**
Black and white wiring harness available; up to 180.0" length; cable may be cut in field.
- H LUMINAIRE**
Die-cast body with integral heat sink and LED.
- I OPTICS**
Proprietary optics available in 10°, 15°, 25°, 40° & 60° beams.
- J EFFECTS DEVICE**
Cylinder baffle assembly can accept 1 lens; soft focus lens or no lens standard and sealed in place.
- K BAFFLE**
Threaded removable cowling provides virtually seamless joint with fixture body.

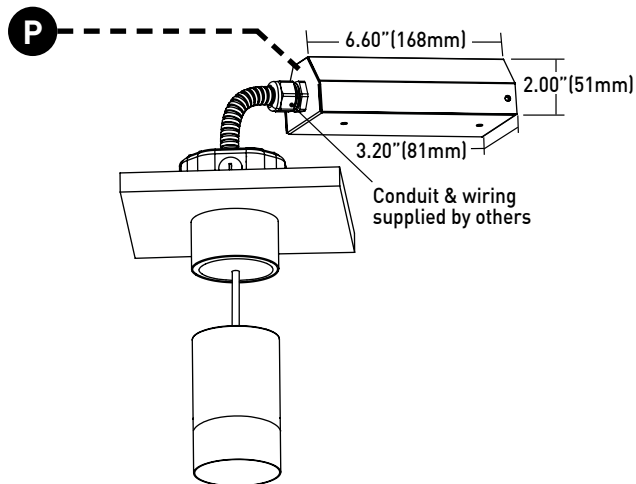
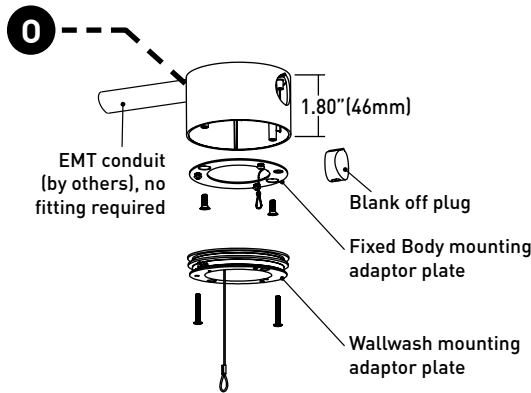
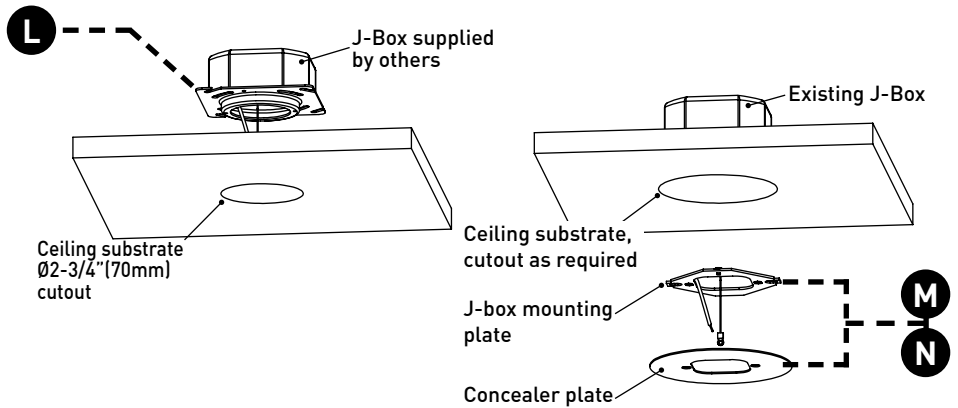


CYLINDER 3 FIXED & WW SUSPENDED MOUNT

Dropkit AND PENDANT MOUNTING

- L JBMP**
Mounting plate (concealed) for standard 4" square or 4" 4/0 j-box. To be installed during rough-in prior to substrate. Fixture to mount flush with minimalist transition to ceiling.
Part Number - CY2/3-JBMP or CD-JBMP
- M SMK3**
Surface mount kit includes mounting plate and 4" concealer plate that installs between fixture and standard 3" 3/0 j-box for existing applications where standard j-box cutout is to be concealed.
Part Number - CY2/3-SMK-3/0-(FINISH) or CD-SMK-3/0-(FINISH)
- N SMK4**
Surface mount kit includes mounting plate and 5" concealer plate that installs between fixture and standard 4" 4/0 j-box for existing applications where standard j-box cutout is to be concealed.
Part Number - CY2/3-SMK-4/0-(FINISH) or CD-SMK-4/0-(FINISH)
- O CMJB**
Ceiling mount junction box perfectly matches the cylinder profile for a continuous, integrated look where exposed ceiling mount junction box and conduit applications apply. For use with 1/2" and 3/4" EMT conduit only. Features two conduit entrances on either side and one conduit knockout on top of j-box. J-box is IP10 rated; painted finishes only. Blank off plugs included.
Part Number - CY3-CMJB-(FINISH) or CD-CMJB-(FINISH)

DIMENSIONS / DRAWINGS



MOUNTING NOTES

- JBMP and SMK-3/0 & 4/0 not recommended for use with pancake style j-box.
- Fixtures are surface mount and must have access to free air. For applications involving slat ceilings or confined mounting, consult Comprehensive Install Guide for required clearances for proper air flow and servicing.

REMOTE POWER SUPPLY

- P PS-RMT**
Remote power supply provides additional driver options. Mounting device still required. Consult page 9 for maximum allowable secondary run lengths between PS-RMT and cylinder.

CYLINDER 3 FIXED & WW SUSPENDED MOUNT

TECHNICAL

CONSTRUCTION

Cylinder: Machined aluminum body; extruded aluminum internal heat-sink; painted finishes are granulated powder coat.
CMJB: Die-cast aluminum body; painted finishes are granulated powder coat.
Remote Power Supply: 22 Gauge galvanized steel.

STATIC WHITE LED

2-step MacAdam ellipse LED module available in 80+, 90+ and 97+ CRI configurations in color temperatures of 2200K, 2700K, 3000K, 3500K and 4000K. Average rated lamp life: 50,000 hours. LED and driver assemblies are field-replaceable.

WARM DIM LED

3-step MacAdam ellipse warm dim LED module available in 90+ CRI configuration. 3000K or 2700K at full brightness, warming to 1800K at full dim. Average rated lamp life of 50,000 hours. LED and driver assemblies are field-replaceable.

TUNABLE WHITE LED

5-step MacAdam ellipse tunable white LED module available in 90+ CRI configuration. Features tuning range of 2700K to 5000K. Average rated lamp life of 50,000 hours. Driver assemblies are field-replaceable.

POWER SUPPLY PERFORMANCE AND DIMMING INFORMATION

Power Supply	CA3	CE3	TR2	L23	LH1	LP1	AN4	LN2	EA2	LA2	ED1	LD1	DN1	DG1	DD1
Minimum °C	-20 °C	-20 °C	-20 °C	0 °C	0 °C	0 °C	-20 °C	-20 °C	-20 °C	-20 °C	-20 °C	-20 °C	-20 °C	-20 °C	-20 °C
Maximum °C	40 °C	40 °C	40 °C	40 °C	40 °C	40 °C	40 °C	40 °C	40 °C	40 °C	40 °C	40 °C	40 °C	40 °C	40 °C
Dimming %	2.0%	2.0%	2.0%	1.0%	1.0%	0.1%	1.0%	1.0%	0.1%	0.1%	0.1%	0.1%	0.1%	0.1%	0.1%

Note: For TR2, L23, LH1, LP1, AN4, LN2, EA2 and LA2 drivers consult chart on page 10 to confirm appropriate dimming curve for compatibility with selected control.

MAXIMUM ALLOWABLE REMOTE DRIVER WIRING DISTANCES

DRIVER	WIRE AWG				
	12	14	16	18	20
TR2, AN4, LN2	285'	180'	113'	71'	45'
L23, LH1	60'	40'	25'	15'	-
EA2, LA2, ED1, LD1, DD1, DG1, DN1	-	-	118'	72'	46'

WALLWASH SPACING

Factory recommends 48" (1219mm) spacing on center with 36" (914mm) setback from wall plane.

MOUNTING

Cylinder is supplied with a mounting adaptor plate, which integrates with required additional mounting accessories specified separately according to field application conditions, providing a minimalist transition from standard 4/0 or 4" square junction boxes and accommodating ceiling thicknesses of 0.44" (12mm) to 0.75" (19mm). Ceiling-mount junction box available for 1/2" (13mm) and 3/4" (19mm) conduit and feature concealed internal clamps for clean fitting-free conduit exit and entry.

LISTING

cTUVus listed to UL1598 standard for Dry / Damp (CY3-FB IP14 and CY3-WW IP30) locations. Title 24 JA8-2019 Listed.

DECLARE

LBC Declared.

WEIGHT

CD3 / Mounting - 4.4 lbs
 CP3 / Mounting - 3.2 lbs
 Remote Driver - 1.4 lbs

LIMITED WARRANTY

Manufacturer's 1-year warranty guarantees product(s) listed to be free from defects in material and workmanship under normal use and service. 5-year warranty on LED and power supply to operate with 70% of the original flux and remain within a range of 3 duv. 10-year Lutron Advantage limited warranty available on Lutron equipped systems. Warranty period begins from the date of shipment by Seller and conditional upon the use of manufacturer-supplied power supply. Consult [website](#) for full warranty terms and conditions.

CHANGE LOG

- 01/12/2021: ADDED 2200K, 2700K-1800K WARM DIM AND 10 DEGREE OPTIC OFFERINGS.
- 04/27/2021: ADDED LP1 DRIVER OFFERING.
- 11/17/2021: UPDATED 25° PHOTOMETRICS.
- 06/21/2022: ADDED SOFT FOCUS LENS W/ LINEAR SPREAD FILM, AND CLEAR GLASS LENS W/ LINEAR SPREAD FILM.
- 10/17/2022: REMOVED 90W13A 3200K-1800K WARM DIM AND ADDED 90W12A 3000K-1800K WARM DIM.
- 12/08/22: ADDED TUNABLE WHITE OFFERING AND RESPECTIVE PERFORMANCE DATA.
- 04/26/2023: ADDED DECLARE LBC APPROVED.

CYLINDER 3 FIXED & WW SUSPENDED MOUNT

DIMMING COMPATIBILITY

PHILIPS DRIVER COMPATIBILITY

Power supply TR2 Manufacturer	Family/Model #
Lutron Electronics	DV-600P
Lutron Electronics	DVELV-303P
Lutron Electronics	NTELV-600
Lutron Electronics	MAELV-600
Lutron Electronics	SELV-300P
Lutron Electronics	DVLV-600P
Lutron Electronics	NFTU-5A
Lutron Electronics	CTCL-153P
Lutron Electronics	GL-600H
Lutron Electronics	S-600P
Lutron Electronics	PHPM
Power supply AN4 / LN2 Manufacturer	Family/Model #
Lutron Electronics	DVTV plus PP-DV
Lutron Electronics	DVSCTV plus PP-DV
Lutron Electronics	DVSTV
Lutron Electronics	DVSCSTV
Lutron Electronics	QSGRJ-XP plus GRX-TVI
Lutron Electronics	QSGRJ-XE plus GRX-TVI
Lutron Electronics	NFTV plus PP-DV
Lutron Electronics	NTSTV
Lutron Electronics	RMJ-5T
Lutron Electronics	RMJS-8T
Lutron Electronics	FCJS-010
Leviton	IllumaTch IP7 series
Philips	Sunrise - SR1200ZTUNV

LUTRON DRIVER COMPATIBILITY

Power supply L23 Lutron Product Family	Part No.
Maestro WirelessR 600 W dimmer	MRF2-6ND-120-
Maestro WirelessR 1000 W dimmer	MRF2-10ND-120-
Caséta® Wireless Pro 1000 W dimmer	PD-10NXD-
GRAFIK T™ CL® dimmer	GT-250M- GTJ-250M-
HomeWorks® QS adaptive dimmer	HQRD-6NA-
HomeWorks® QS 600 W dimmer	HQRD-6ND-
HomeWorks® QS 1000 W dimmer	HQRD-10ND-
RadioRA® 2 adaptive dimmer	RRD-6NA-
RadioRA® 2 1000 W dimmer	RRD-10ND
myRoom™ DIN power module	MQSE-4A1-D
HomeWorks® QS DIN power module	LQSE-4A1-D
HomeWorks® QS wallbox power module	HQRJ-WPM-6D-120
HomeWorks® wallbox power module	HWI-WPM-6D-120
GRAFIK Eye® QS control unit	QSGR-, QSGRJ-
GRAFIK Eye® 3000 control unit	GRX-3100- GRX-3500-
RPM-4U module (LCP, HomeWorks® QS, GRAFIK Systems™, Quantum®)	HW-RPM-4U-120 LP-RPM-4U-120
RPM-4A module (LCP, HomeWorks® QS, GRAFIK Systems™, Quantum®)	HW-RPM-4A-120, LP-RPM-4A-120
GP dimming panels	Various
Ariadni CL 250W dimmer	AYCL-253P-
Diva CL 250W dimmer	DVCL-253P- DCSCCL-253P-
Nova T CL 250W dimmer	NTCL-250-
Power supply LH1 / LP1 Lutron Product Family	Part No.
PowPak Dimming Modules	RMJ-ECO32-DV-B
PowPak Dimming Modules	FCJ/FCJS-ECO
Energi Savr Nodes	QSN-1ECO-S
GRAFIK Eye QS control unit	QSN-2ECO-S
Homeworks QS control unit	QSGRJ- _E (wireless) QSGR- _E
Quantum Hub	QP2-__ 2C
Quantum Hub	QP2-__ 4C
Quantum Hub	QP2-__ 6C
Quantum Hub	QP2-__ 8C
Homeworks QS power module	LQSE-2ECO-D
myRoom Plus power module	

eldoLED DRIVER COMPATIBILITY

Power supply EA2 / LA2 Dimmer / Switch Control Manufacturer	Family/Model #
Busch-Jaeger	2112U-101
Jung	240-10
Leviton Lighting Controls	IP710-DLX
Lightolier Controls	ZP600FAM120
Lutron Electronics	Nova T® - NTFTV
Lutron Electronics	Div@® - DVTV
Lutron Electronics	Nova@® - NFTV
Merten	5729
Pass & Seymour	CD4FB-W
The Watt Stopper	DCLV1
Sensor Switch	nI0 EZ
Synergy	ISD BC
Power supply EA2 / LA2 Lighting Control Systems Manufacturer	Family/Model #
Lutron Electronics	GrafixEye® GRX-TVI w GRX3503
Lutron Electronics	Energy Savr Node™ - QSN-4T16-S
Lutron Electronics	TVM2 Module
Crestron®	GLX-DIMFLV8
Crestron®	GLXP-DIMFLV8
Crestron®	GLPAC-DIMFLV4-*
Crestron®	GLPAC-DIMFLV8-*
Crestron®	GLPP-DIMFLVEX-PM
Crestron®	GLPP-1DIMFLV2EX-PM
Crestron®	GLPP-1DIMFLV3EX-PM
Crestron®	DIN-A08
Crestron®	DIN-4DIMFLV4
Crestron®	CLS-EXP-DIMFLV
Crestron®	CLCI-1DIMFLV2EX
ABB	SD/S 2.16.1

