

CYLINDER CP4 INTERNATIONAL SUSPENDED MOUNT

PROJECT NAME:	TYPE:
---------------	-------



Highlight art, objects, places, spaces, seating areas, and architectural details with a classic profile that offers easy-to-adjust, in-field versatility.

ORDERING INFORMATION

CYLINDER	CABLE	CABLE COLOR	FUNCTION	RATING	CYLINDER FINISH	BAFFLE FINISH	LUMEN PACKAGE	CCT	DOWN OPTIC (UGR)	DRIVER	EFFECTS DEVICE	MOUNTING
CP4												
CP4 4.90"	096 8 Feet 192 16 Feet	W White B Black	FB Down Only UD Up / Down	1 Dry/Damp (IP30) 2 Wet (IP54)* *(Not available for Up / Down "UD")	WH White AG Satin Silver AB Architectural Bronze BK Black CF Custom Finish* *(Consult Factory)	WH White AG Satin Silver AU Cashmere Gold AB Architectural Bronze BK Black CF Custom Finish* *(Consult Factory)	STATIC WHITE 80S15E 80+ CRI, Down Dvld. Lumens 1641 80S30E 80+ CRI, Up Dvld. Lumens 1148 80S30E 80+ CRI, Down Dvld. Lumens 3104 90S15E 90+ CRI, Up Dvld. Lumens 1148 90S15E 90+ CRI, Down Dvld. Lumens 1410 90S30E 90+ CRI, Up Dvld. Lumens 1038 90S30E 90+ CRI, Down Dvld. Lumens 2667 97S15E 90+ CRI, Up Dvld. Lumens 1038 97S15E 90+ CRI, Down Dvld. Lumens 1238* *(Not available for Up / Down "UD") 97S30E 90+ CRI, Down Dvld. Lumens 2342* *(Not available for Up / Down "UD") ***DISREGARD UP LIGHT PERFORMANCE FIGURES IF "FB" IS SPECIFIED	27 2700K 30 3000K 35 3500K 40 4000K	15 15° 25 25° 40 40° 60 60°	INTEGRAL (220-240V) 2IG 1% 0-10V Analog, LOG* *(Not available for Up / Down "UD") 2IN 1% 0-10V Analog, LIN* *(Not available for Up / Down "UD") REMOTE (220-240V) 2EG eldoLED, SOLOdrive 0.1% 0-10V, LOG 2EN eldoLED, SOLOdrive 0.1% 0-10V, LIN 2ED eldoLED, SOLOdrive 0.1% DALI, LOG *FOR UP / DOWNLIGHT FIXTURES TWO DRIVERS WILL BE PROVIDED, EXCEPT 1ED WILL BE PROVIDED WITH ONE DRIVER. BOTH SOURCES CAN BE CONTROLLED INDEPENDENTLY OR TOGETHER.	STANDARD EFFECTS DEVICE 4 Soft Focus Lens OPTIONAL EFFECTS DEVICE 0 No Lens* *(Not available for IP54 Wet locations) 1 Honeycomb Louver* *(Not available for IP54 Wet locations) 2 Clear Glass Lens 3 Frosted Glass Lens 4 Frosted Soft Focus Lens 5 Frosted Linear Spread Lens	EXMP Export Mounting Plate CMJB 1/2" and 3/4" Conduit Ceiling Mount Junction Box* *(Not available for IP54 Wet locations)
							TUNABLE WHITE 90T30B 90+ CRI, 30 Watts Down Dvld. Lumens 2231* *(Not available for Up / Down "UD") 90T39B 90+ CRI, 39 Watts Down Dvld. Lumens 2770* *(Not available for Up / Down "UD") *ALL DELIVERED LUMEN OUTPUTS REFLECT 3000K PAIRED WITH 40° OR WW OPTIC OR AND STANDARD MEDIA.	TH 5000K - 2700K		TUNABLE WHITE REMOTE (220-240V) 2DD eldoLED, DUALdrive 0.1% DALI, LOG		
	*FOR CABLE LENGTHS OVER 16' CONSULT FACTORY. ALL LENGTHS ARE FIELD-CUTTABLE.											



PART NUMBER NOTES

- CP4-FB ships as e.g., CP4192WFB1WHBK80C34B132IG*4
- CP4-UD ships as e.g., CP4096BUD1AGBK90C29B132IG*4
- Downlight remote driver ships as e.g., PSCY4-INT-90C-29B-EG*
- Uplight remote driver ships as e.g., PSCY4-INT-UPLIGHT-EG*
- CMJB ships as CY4-CMJB-(finish)

CYLINDER CP4 INTERNATIONAL SUSPENDED MOUNT

ACCESSORIES

DOWNLIGHT ALTERNATE EFFECTS DEVICES

- HCL-CY4-01** Honeycomb Louver *
*(Not available for Wet location)
- CGL-CY4-01** Clear Glass Lens
- SFL-CY4-01** Soft Focus Lens
- FGL-CY4-01** Frosted Glass Lens
- FSFL-CY4-01** Frosted Soft Focus Lens
- FLSL-CY4-01** Frosted Linear Spread Lens

REPLACEMENT OPTIC ASSEMBLIES

- RO-90-15** 15° optic
- RO-90-20** 20° optic
- RO-90-25** 25° optic
- RO-90-40** 40° optic
- RO-90-60** 60° optic
- RO-90-WW** Wallwash optic

PERFORMANCE - 3000K - SOFT FOCUS LENS

LUMEN PACKAGE	WATTAGE	15° OPTIC (DOWNLIGHT)		25° OPTIC (DOWNLIGHT)		40° OPTIC (DOWNLIGHT)		60° OPTIC (DOWNLIGHT)		UPLIGHT	
		DELIVERED	LPW	DELIVERED	LPW	DELIVERED	LPW	DELIVERED	LPW	DELIVERED	LPW
80S15E	15	1660	110	1575	105	1614	107	1523	101	1148	82
80S30E	30	3193	106	3030	101	3104	103	2930	98	1148	82
90S15E	15	1428	106	1377	102	1410	105	1339	99	1038	74
90S30E	30	2743	91	2603	87	2667	89	2517	84	1038	74
97S15E	15	1252	83	1188	79	1217	81	1149	76	-	-
97S30E	30	2408	80	2285	76	2342	78	2210	74	-	-
90T30B	30	2313	77	2197	73	2231	74	2110	70	-	-
90T39B	39	2827	72	2720	70	2770	71	2628	67	-	-

UNIFIED GLARE RATING

15° OPTIC SOFT FOCUS LENS	25° OPTIC SOFT FOCUS LENS	40° OPTIC SOFT FOCUS LENS	60° OPTIC SOFT FOCUS LENS
<10	<10	<10	<16

OUTPUT MULTIPLIER

CCT	CCT SCALE
2700K	0.97
3000K	1.00
3500K	1.03
4000K	1.08

MEDIA LIGHT LOSS FACTOR

MEDIA	LIGHT LOSS FACTOR
NO LENS	1.05
CGL	1.00
SFL	1.00
FGL	0.89
FSFL	0.87
FLSL	0.82
HCL	0.65

TUNABLE WHITE MULTIPLIER

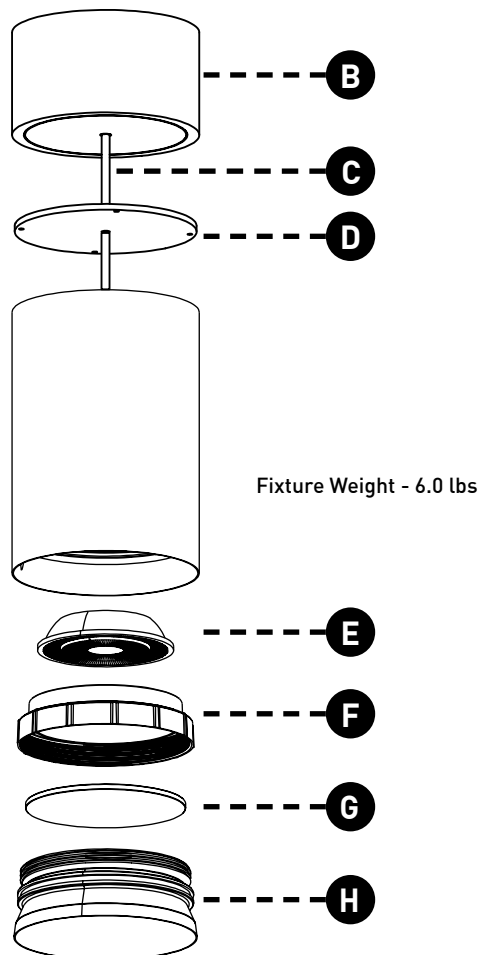
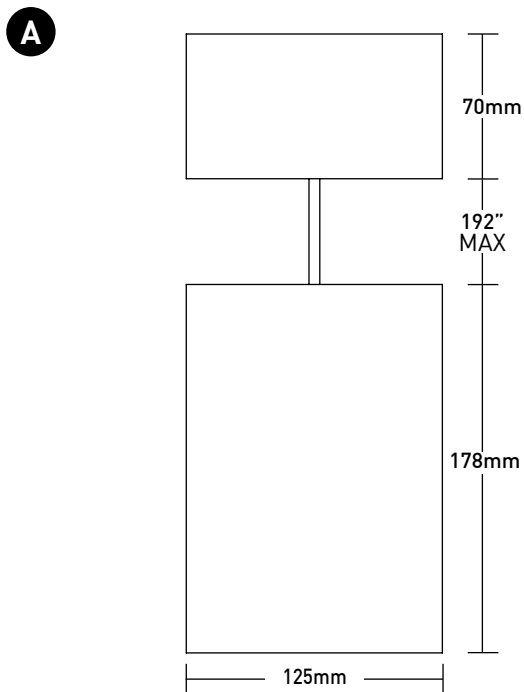
CCT	50K-27K
5000K	1.16
4000K	1.08
3500K	1.04
3000K	1.00
2700K	0.96

CYLINDER CP4 INTERNATIONAL SUSPENDED MOUNT

FIXTURE

- A LUMINAIRE**
Body with integrated heat sink and LED(s).
- B CANOPY**
Die-cast canopy accommodates flat and sloped ceiling conditions. Conceals hidden twist-on mounting hardware. Available with integral or remote driver.
- C CABLE**
Black or White wiring harnesses are available. Available in lengths up to 192" maximum, cable is field cuttable, consult factory for lengths greater than 192".
- D UPLIGHT OPTIC**
120° Spread lens; Uplight only available for Dry/Damp locations.
- E DOWNLIGHT OPTIC**
Field-changeable optics available in 15°, 25°, 40° and 60° beams.
- F LENS RETAINER**
Threaded lens retainer attaches to baffle and accommodates up to two effects devices.
- G DOWNLIGHT EFFECTS DEVICE**
Soft focus lens standard. Effects device is field-changeable in Dry/Damp and Wet locations.
- H BAFFLE**
Die-cast baffle minimizes aperture glare and conceals view into fixture.

DIMENSIONS / DRAWINGS

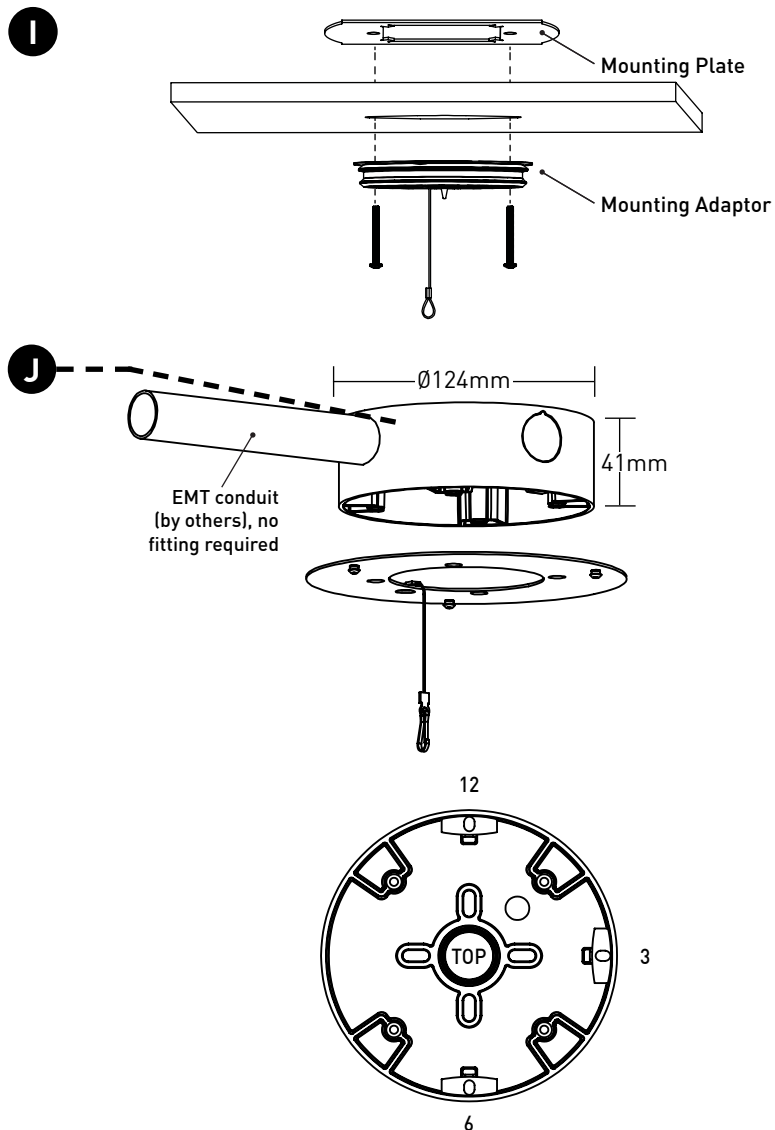


CYLINDER CP4 INTERNATIONAL SUSPENDED MOUNT

MOUNTING

- I MOUNTING ASSEMBLY**
Surface mounted, does not require installation prior to rough-in. Mounting plate sits atop ceiling for attachment of mounting adaptor. Fixture mounts flush with minimalist transition to ceiling.
- J CMJB**
Ceiling mount junction box perfectly matches the cylinder profile for a continuous, integrated look where exposed ceiling mount junction box and conduit applications apply. For use with 1/2" and 3/4" EMT conduit only. Features three conduit entrances at 12, 3, and 6 o'clock plus one conduit knockout on top. Painted finishes only. Blank off plugs included.

DIMENSIONS / DRAWINGS



CYLINDER CP4 INTERNATIONAL SUSPENDED MOUNT

REMOTE POWER SUPPLY

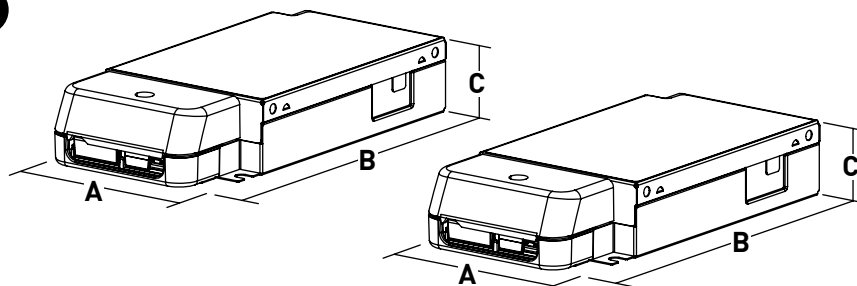
K

PS-RMT

Do not install in environments where ambient temperatures exceed 35°C (95°F). Remote power supply provides additional driver options. Mounting device still required. Consult install guide for maximum allowable secondary run lengths between PS-RMT and fixture.

DIMENSIONS / DRAWINGS

K



POWER SUPPLY DIMENSIONS			
Model	A	B	C
2EG	41mm	210mm	34mm
2EN			
2ED	76mm	152mm	30mm
2DD			

UP / DOWNLIGHT FIXTURE CONTROL INFORMATION

DRIVER	DRIVER QUANTITY	SOURCES DIM INDEPENDENTLY OR TOGETHER	WIRING REQUIREMENTS
2ED	1	X	For independent control, two DALI addresses required.
2EG	2	X	For independent control, two switch-legs and two 0-10V control leads required.
2EN	2	X	For independent control, two switch-legs and two 0-10V control leads required.

CYLINDER CP4 INTERNATIONAL SUSPENDED MOUNT

TECHNICAL

CONSTRUCTION

Cylinder: Machined aluminum body; extruded aluminum internal heat-sink; painted finishes are granulated powder coat.

CMJB: Die-cast aluminum body; painted finishes are granulated powder coat.

Remote Power Supply: Varies. Consult factory for additional information.

LED

2 step MacAdam ellipse LED modules available in 80+ and 90+ CRI configurations in color temperatures of 2700K, 3000K, 3500K and 4000K. Average rated lamp life of 50,000 hours. Driver assemblies are field-replaceable.

TUNABLE WHITE LED

3-step MacAdam ellipse tunable white LED module available in 90+ CRI configuration. Features tuning range of 2700K to 5000K. Average rated lamp life: 50,000 hours. Driver assembly is field-replaceable.

POWER SUPPLY PERFORMANCE AND DIMMING INFORMATION

Power Supply	2IG	2IN	2EG	2EN	2ED	2DD
Minimum °C	-10 °C	-10 °C	-20 °C	-20 °C	-20 °C	-20 °C
Maximum °C	40 °C	40 °C	40 °C	40 °C	40 °C	40 °C
Dimming %	1.0%	1.0%	0.1%	0.1%	0.1%	0.1%

Note: 2EG and 2EN drivers consult chart on page 6 to confirm appropriate dimming curve for compatibility with selected control.

MOUNTING

Cylinder is supplied with a mounting adaptor, which integrates with mounting plate and accommodates ceiling thicknesses of 12mm to 19mm. Ceiling-mount junction box available for 13mm and 19mm conduit and features concealed internal clamps for clean fitting-free conduit exit and entry.

LISTING

CE listed for Dry / Damp (IP30) and Wet (IP54) locations.

WEIGHT

Fixture - 6 lbs max

Remote Driver - 1.4 lbs

LIMITED WARRANTY

Manufacturer's 1-year warranty guarantees product(s) listed to be free from defects in material and workmanship under normal use and service. 5-year warranty on LED and power supply to operate with 70% of the original flux and remain within a range of 3 duv. Warranty period begins from the date of shipment by Seller. Consult [website](#) for full warranty terms and conditions.

CHANGE LOG

1.08/08/2023: ADDED NEW LED AND OPTIC SYSTEM.

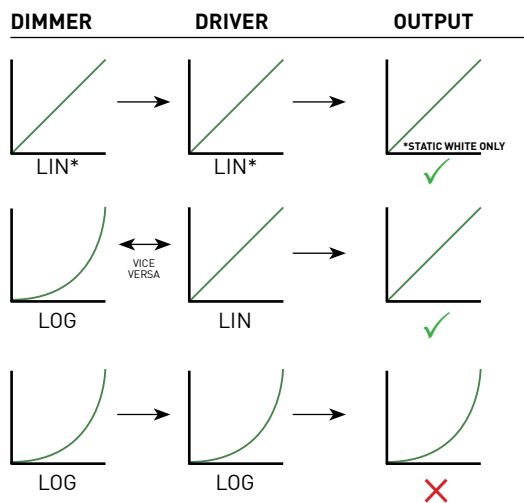
CYLINDER CP4 INTERNATIONAL SUSPENDED MOUNT

DIMMING COMPATIBILITY

eldoLED DRIVER COMPATIBILITY

Power supply 1EG / 1EN Dimmer / Switch Control Manufacturer	Family/Model #
Busch-Jaeger	2112U-101
Jung	240-10
Leviton Lighting Controls	IP710-DLX
Lightolier Controls	ZP600FAM120
Lutron Electronics	Nova T® - NTFTV
Lutron Electronics	Diva® - DDTV
Lutron Electronics	Nova® - NFTV
Merten	5729
Pass & Seymour	CD4FB-W
The Watt Stopper	DCLV1
Sensor Switch	nI0 EZ
Synergy	ISD BC
Power supply 1EG / 1EN Lighting Control Systems Manufacturer	Family/Model #
Lutron Electronics	GrafixEye® GRX-TVI w GRX3503
Lutron Electronics	Energy Savr Node™ - QSN-4T16-S
Lutron Electronics	TVM2 Module
Crestron®	GLX-DIMFLV8
Crestron®	GLXP-DIMFLV8
Crestron®	GLPAC-DIMFLV4-*
Crestron®	GLPAC-DIMFLV8-*
Crestron®	GLPP-DIMFLVEX-PM
Crestron®	GLPP-1DIMFLV2EX-PM
Crestron®	GLPP-1DIMFLV3EX-PM
Crestron®	DIN-A08
Crestron®	DIN-4DIMFLV4
Crestron®	CLS-EXP-DIMFLV
Crestron®	CLCI-1DIMFLV2EX
ABB	SD/S 2.16.1

ANALOG DRIVERS AND DIMMERS



LIN = LINEAR
 LOG = LOGARITHMIC
 *LIN-TO-LIN NOT COMPATIBLE FOR WARM-DIM