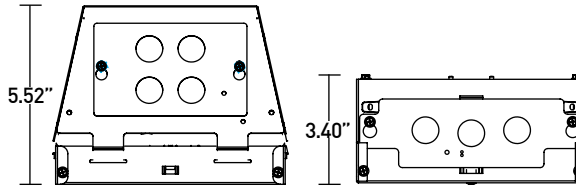


ATOMOS2 UNIVERSAL AND SLIM

HOUSING COMPARISON



HOUSING COMPARISON	UNIVERSAL HOUSING	SLIM HIGH OUTPUT HOUSING
FIXTURE TYPES	AD FD WW	SF SW
HOUSING DEPTH	5.52"	3.4"
MAX DELIVERED LUMENS	AD - 920 FD - 920 WW - 1032	SF - 1227 SW - 1032
MAX CEILING THICKNESS	2"	1"
ROTATING COLLAR	NO	YES
OPTICS	15°, 25°, 35°, 50°, 80°, & ADJUSTABLE ZOOM	15°, 25°, 35°, 50°, & 80°

ACCESSORIES

ALTERNATE MEDIA

Consult factory for additional configurations.

- CGL-AR** Clear Film*
*(Not available for Warm Dim. Consult factory for Wet locations.)
- SFL-AR** Soft Focus Film*
*(Consult factory for Wet locations.)
- HCL-AR** Honeycomb Louver*
*(Soft Focus Film pairing required for Warm Dim and Wet Location)
- LSL-AR** Linear Spread Film*
*(Consult factory for Wet locations)
- WDL-AR** Wide Distribution Film*
*(Must be paired with 80° optic. Consult factory for Wet locations.)

HANGER BAR EXTENDER KIT

Extends hanger bars from 24.0" to 46.0" maximum.

- FRX-HBE-46** Extender, Hanger Bar.

T-GRID ACCESSORY KIT

Recommended for installations in T-Grid up to 1.5" tall.

- DHA-TG-KIT**

INSTALLATION / REMOVAL TOOL

Required for installation. One provided for every 10 fixtures.

- A2-TOOL-INSTALL** Installation Tool

EMERGENCY LIGHTING - REMOTE MOUNT ONLY

During disruption of main power, emergency battery inverter provides temporary 120V or 277V to fixture.

- EMB-S-25-120/277-LEDX** 25 watt max capacity, 120 or 277 VAC 60Hz, Non-Dimmable
- EMB-S-100-120-LEDX** 100 watt max capacity, 120 VAC 60Hz, 0-10V Dimmable
- EMB-S-100-277-LEDX** 100 watt max capacity, 277 VAC 60Hz, 0-10V Dimmable
- EMB-S-250-120/277-LEDX** 250 watt max capacity, 120 or 277 VAC 60Hz, 0-10V Dimmable

REPLACEMENT OPTICS

Interchangeable optics accessible through fixture aperture.

- RO-A-15-1** 15° optic
- RO-A-25-1** 25° optic
- RO-A-35-1** 35° optic
- RO-A-50-1** 50° optic
- RO-A-AZ-1** Adjustable zoom optic*
*(24°, 30°, 36°, 42° and 48° beam spreads. Not available for Warm Dim or Tunable White.)
- RO-A-WW-1** Wallwash optic

ADJUSTMENT TOOL

One provided for every 10 adjustable fixtures.

- TOOL-HEX-050** Adjustment Tool

FURRING CHANNEL ACCESSORY KIT

Recommended for installations in furring channel.

- DHA-FC-KIT**

ATOMOS2 UNIVERSAL AND SLIM

STATIC WHITE PERFORMANCE - 3000K

UNIVERSAL HOUSING (AD, FD, WW)

LUMEN PACKAGE	WATTS	15° OPTIC SOFT FOCUS FILM		25° OPTIC SOFT FOCUS FILM		35° OPTIC SOFT FOCUS FILM		50° OPTIC SOFT FOCUS FILM		80° OPTIC WIDE DIST. FILM		ROUND WALLWASH WALLWASH LENS		SQUARE WALLWASH WALLWASH LENS	
		DLVD.	LPW	DLVD.	LPW	DLVD.	LPW	DLVD.	LPW	DLVD.	LPW	DLVD.	LPW	DLVD.	LPW
		8008D	6	538	90	534	89	472	79	501	84	431	72	549	92
8012D	12	920	77	912	76	807	67	857	71	779	65	934	77	1032	87
9007D	6	455	76	452	75	400	67	424	71	365	61	465	78	511	85
9010D	12	779	65	773	64	684	57	726	61	624	52	796	66	874	74
9005D (27K-18K)	6	391	65	388	65	343	57	364	61	313	52	396	66	416	69
9009D (30K-18K)	12	668	55	663	55	587	49	623	52	535	45	677	58	712	61
9010DTR (18K-4K)	10	694	69	696	70	612	61	685	68	582	58	709	70	723	72
9010DTH (27K-5K)	10	611	61	613	61	539	54	603	60	512	51	619	62	636	64

OUTPUT MULTIPLIER

CCT	CCT SCALE
2400K	0.76
2700K	0.95
3000K	1.00
3500K	1.05
4000K	1.06

LIGHT LOSS FACTOR

NO MEDIA	1.11
SOFT FOCUS	1
CLEAR	1
HONEYCOMB	0.77
HONEYCOMB W/ SOFT FOCUS	0.77
LINEAR SPREAD	0.76
HONEYCOMB W/ CLEAR	0.76

LUMEN PACKAGE	WATTS	10° OPTIC SOFT FOCUS FILM	
		DLVD.	LPW
80S09H	9	322	36
90S09H	9	273	30

LUMEN PACKAGE	WATTS	24° Zoom-Position 1 SOFT FOCUS FILM		30° Zoom-Position 2 SOFT FOCUS FILM		36° Zoom-Position 3 SOFT FOCUS FILM		42° Zoom-Position 4 SOFT FOCUS FILM		48° Zoom-Position 5 SOFT FOCUS FILM	
		DLVD.	LPW	DLVD.	LPW	DLVD.	LPW	DLVD.	LPW	DLVD.	LPW
		8008D	6	469	78	473	79	446	74	427	71
8012D	12	803	67	810	67	763	64	731	61	721	60
9007D	6	398	66	401	67	378	63	362	60	357	60
9010D	12	680	57	686	57	646	54	619	52	611	51

FINISH LIGHT LOSS FACTOR

BAFFLE FINISH	LLF
WHITE	1.00
CASHMERE GOLD	0.96
SATIN SILVER	0.95
BURNT BRONZE	0.93
BLACK	0.92

TUNABLE WHITE MULTIPLIER

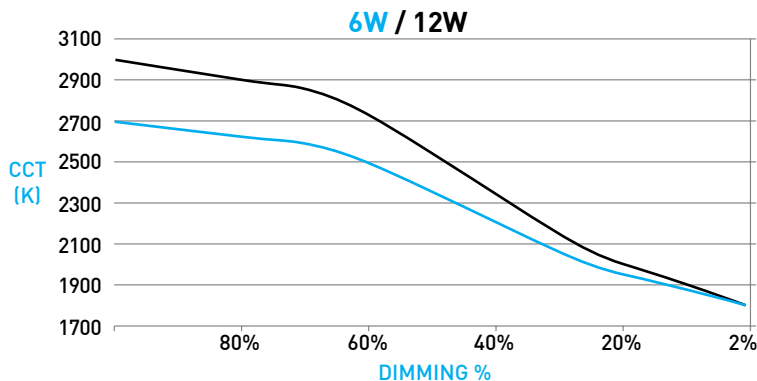
CCT	5000K-2700K	4000K-1800K
5000K	1.16	-
4000K	1.08	1.14
3500K	1.04	1.07
3000K	1.00	1.00
2700K	0.96	0.92
2400K	-	0.84
1800K	-	0.69

TITLE 24 COMPLIANT JA8-2022 INDICATED BY SHADING

WARM DIM PERFORMANCE - SOFT FOCUS FILM - 15° OPTIC

UNIVERSAL ADJUSTABLE & FIXED

9009D 3000K - 1800K	Full on 100%	Dimmed to 80%	Dimmed to 70%	Dimmed to 50%	Dimmed to 20%	Dimmed to 10%	Dimmed to 2%	9005D 2700K - 1800K	Full on 100%	Dimmed to 80%	Dimmed to 70%	Dimmed to 50%	Dimmed to 20%	Dimmed to 10%	Dimmed to 2%
CCT (K)	3000	2900	2850	2550	2000	1900	1800	CCT (K)	2700	2160	1890	1350	540	270	54
Light Output (Lm)	668	534	467	334	133	66	13	Light Output (Lm)	391	313	274	196	78	39	8
Power (W)	12	9.6	8.4	6	2.4	1.2	0.2	Power (W)	6	4.8	4.2	3	1.2	0.6	0.1
Efficacy (LPW)	55	55	55	55	55	55	55	Efficacy (LPW)	65	65	65	65	65	65	65



ATOMOS2 UNIVERSAL AND SLIM

STATIC WHITE PERFORMANCE - 3000K

SLIM HIGH OUTPUT HOUSING (SF, SW ONLY)

LUMEN PACKAGE	WATTAGE	15° OPTIC SOFT FOCUS FILM		25° OPTIC SOFT FOCUS FILM		35° OPTIC SOFT FOCUS FILM		50° OPTIC SOFT FOCUS FILM		80° OPTIC WIDE DIST. FILM	
		DLVD.	LPW	DLVD.	LPW	DLVD.	LPW	DLVD.	LPW	DLVD.	LPW
8008D	6	594	99	585	98	547	91	574	96	483	81
8012D	12	1012	84	999	83	933	78	978	82	845	70
8016D	15	1227	78	1210	78	1130	73	1186	62	1060	70
9007D	6	503	84	496	83	463	77	486	81	409	68
9010D	12	860	69	848	68	792	64	831	67	700	58
9014D	15	1042	66	1028	66	960	62	1007	53	816	54
9005D (27K-18K)	6	443	74	435	73	406	68	426	71	365	61
9009D (30K-18K)	12	757	64	744	63	695	58	729	62	624	52
9010DTR (18K-4K)	10	764	76	762	76	708	71	782	78	632	63
9010DTH (27K-5K)	10	672	67	671	67	623	62	688	69	556	56

ROUND WALLWASH WALLWASH LENS		SQUARE WALLWASH WALLWASH LENS	
DELIVERED	LPW	DELIVERED	LPW
549	92	603	101
934	78	1032	86
-	-	-	-
465	78	511	85
796	66	874	74
-	-	-	-
396	66	416	69
677	58	712	61
703	70	723	72
619	62	636	64

OUTPUT MULTIPLIER	
CCT	CCT SCALE
2400K	0.76
2700K	0.95
3000K	1.00
3500K	1.05
4000K	1.06

LIGHT LOSS FACTOR	
NO MEDIA	1.11
SOFT FOCUS	1
CLEAR	1
HONEYCOMB	0.77
HONEYCOMB W/ SOFT FOCUS	0.77
LINEAR SPREAD	0.76
HONEYCOMB W/ CLEAR	0.76

TUNABLE WHITE MULTIPLIER		
CCT	5000K-2700K	4000K-1800K
5000K	1.16	-
4000K	1.08	1.14
3500K	1.04	1.07
3000K	1.00	1.00
2700K	0.96	0.92
2400K	-	0.84
1800K	-	0.69

TABLE 24 JA8-2022 INDICATED BY SHADING

LUMEN PACKAGE	WATTS	10° OPTIC SOFT FOCUS FILM	
		DLVD.	LPW
80S09H	9	346	38
90S09H	9	293	33

FINISH LIGHT LOSS FACTOR

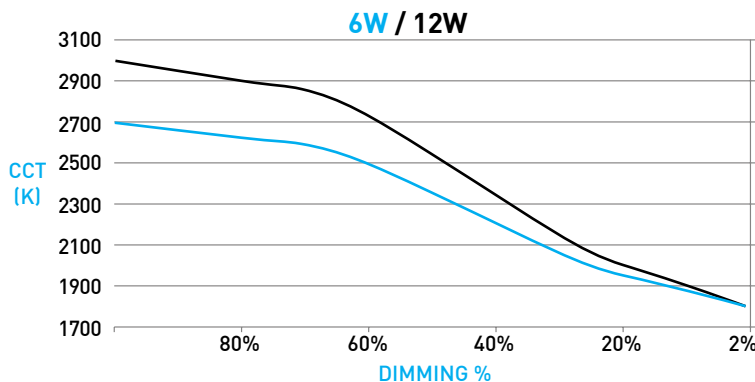
BAFFLE FINISH	LLF
WHITE	1.00
CASHMERE GOLD	0.96
SATIN SILVER	0.95
BURNT BRONZE	0.93
BLACK	0.92

WARM DIM PERFORMANCE - SOFT FOCUS FILM - 15° OPTIC

SLIM FIXED

9009D 3000K - 1800K	Full on 100%	Dimmed to 80%	Dimmed to 70%	Dimmed to 50%	Dimmed to 20%	Dimmed to 10%	Dimmed to 2%
CCT (K)	3000	2900	2850	2550	2000	1900	1800
Light Output (Lm)	757	606	530	378	151	75	15
Power (W)	12	9.6	8.4	6	2.4	1.2	0.2
Efficacy (LPW)	64	64	64	64	64	64	64

9005D 2700K - 1800K	Full on 100%	Dimmed to 80%	Dimmed to 70%	Dimmed to 50%	Dimmed to 20%	Dimmed to 10%	Dimmed to 2%
CCT (K)	2700	2160	1890	1350	540	270	54
Light Output (Lm)	443	354	310	222	89	44	9
Power (W)	6	4.8	4.2	3	1.2	0.6	0.1
Efficacy (LPW)	73	73	73	73	73	73	73



ROUND



RECOMMENDED

30" SETBACK / 30" ON CENTER SPACING

- AVERAGE FC: 11.48
- MIN / MAX: 5.81
- 10FT CEILING SHOWN / 8-12FT IDEAL
- 9 FIXTURES / 25FT WALL SHOWN

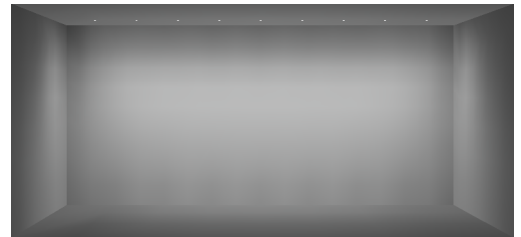
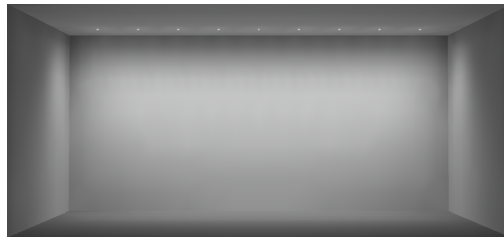
36" SETBACK / 36" ON CENTER SPACING

- AVERAGE FC: 9.26
- MIN / MAX: 5.30
- 10FT CEILING SHOWN / 8-12FT IDEAL
- 9 FIXTURES / 30FT WALL SHOWN

42" SETBACK / 42" SPACING ON CENTER

- AVERAGE FC: 7.22
- MIN / MAX: 7.60
- 10FT CEILING SHOWN / 8-12FT IDEAL
- 9 FIXTURES / 35FT WALL SHOWN

SQUARE



RECOMMENDED

30" SETBACK / 30" ON CENTER SPACING

- AVERAGE FC: 12.64
- MIN / MAX: 4.83
- 10FT CEILING SHOWN / 8-12FT IDEAL
- 9 FIXTURES / 25FT WALL SHOWN

36" SETBACK / 36" ON CENTER SPACING

- AVERAGE FC: 11.30
- MIN / MAX: 4.46
- 10FT CEILING SHOWN / 8-12FT IDEAL
- 9 FIXTURES / 30FT WALL SHOWN

42" SETBACK / 42" SPACING ON CENTER

- AVERAGE FC: 8.07
- MIN / MAX: 5.76
- 10FT CEILING SHOWN / 8-12FT IDEAL
- 9 FIXTURES / 35FT WALL SHOWN

ADDITIONAL SPACINGS AND SETBACKS

ROUND			
ON CENTER SPACING	SETBACK		
	30"	36"	42"
30"	SHOWN ABOVE	AVERAGE FC: 10.51 MIN / MAX: 5.83	AVERAGE FC: 9.62 MIN / MAX: 6.50
36"	AVERAGE FC: 10.01 MIN / MAX: 5.47	SHOWN ABOVE	AVERAGE FC: 8.53 MIN / MAX: 5.46
42"	AVERAGE FC: 8.47 MIN / MAX: 7.20	AVERAGE FC: 7.81 MIN / MAX: 7.18	SHOWN ABOVE

SQUARE			
ON CENTER SPACING	SETBACK		
	30"	36"	42"
30"	SHOWN ABOVE	AVERAGE FC: 11.68 MIN / MAX: 4.51	AVERAGE FC: 10.77 MIN / MAX: 4.69
36"	AVERAGE FC: 10.98 MIN / MAX: 4.43	SHOWN ABOVE	AVERAGE FC: 9.56 MIN / MAX: 4.09
42"	AVERAGE FC: 9.32 MIN / MAX: 5.75	AVERAGE FC: 8.67 MIN / MAX: 5.44	SHOWN ABOVE

ATOMOS2 UNIVERSAL AND SLIM

TRIM / HOUSING / FIXTURE

A1 UNIVERSAL TRIMS
Adjustable (AD) - Hot-aim tilt up to 30° and 362° rotation. Offset pivot point optimizes center beam. Max ceiling thickness for 30° tilt is 1-3/8".

Fixed (FD) - Trim based fixed downlight.

Wallwash (WW) - Precision engineered to provide exceptionally even wallwashing and minimal aperture glare.

A2 UNIVERSAL HOUSING

- For IC or Non-IC ceilings.
- Chicago Plenum, Airtight and Title 24 (JA8) listed.
- Requires 2-5/16" cutout for flange overlay and trimless drywall applications.
- Accommodates max 1032 delivered lumens.
- No setback from polycell spray foam insulation having max R-Value of 60 on all sides and top.
- "L" and "J" Light Tight housings ensure there is no light leak through fabric or transparent ceilings.

B SLIM HIGH OUTPUT HOUSING
Integral LED module design enables field service / replacement through housing aperture.

- For IC or Non-IC ceilings.
- Chicago Plenum, Airtight and Title 24 (JA8) listed.
- Requires 2-5/16" cutout for flange overlay and trimless drywall applications.
- Accommodates max 1300 delivered lumens.
- No setback from polycell spray foam insulation having max R-Value of 60 on all sides and top.

HOUSING NOTES

- Do not install in environments where ambient temperatures exceed 40°C (104°F).
- Power supply compartment and all splice connections may be serviced from room side.
- Consult factory for spacing requirements for any installations exceeding R-Value 60.
- Hanger bars can be fitted to long or short side of housing; extend from 14.0" to 24.0", but may be field cut to accommodate narrow stud spacing. Can be extended up to 46" maximum with FRX-HBE-46 kit.
- Hanger bars and brackets add 3.16" to the overall dimension but are exclusive of the setback requirements.
- Housings feature a round or square aperture accommodating ceiling thicknesses between 0.50" and 2.00".

ADJUSTMENT

- **ADJUSTMENT TOOL**
Minimum 1 provided for every 10 adjustable fixtures. Utilizes a 0.050" Allen key driver.

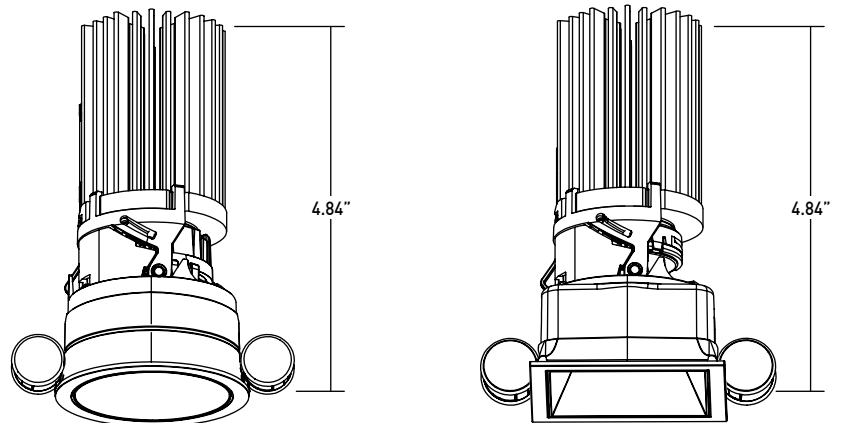


TILT CHART

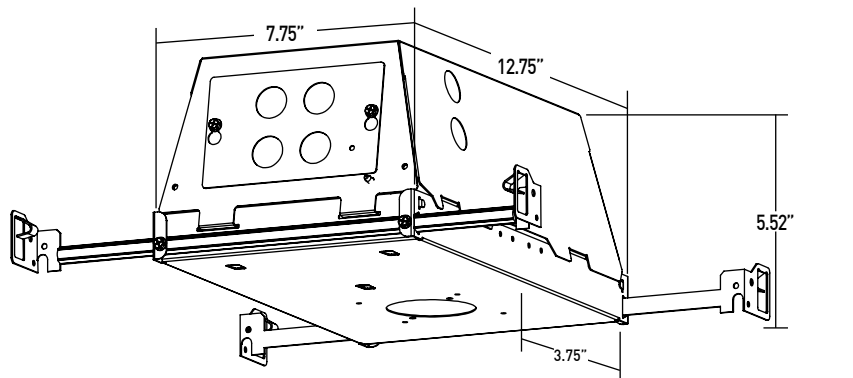
CEILING THICKNESS	≤1-1/2"	≤1-5/8"	≤1-3/4"	≤1-7/8"	≤2"
MAX TILT	30°	24°	18°	15°	13°

DIMENSIONS / DRAWINGS

A1 UNIVERSAL ADJUSTABLE (AD) & FIXED (FD) TRIMS

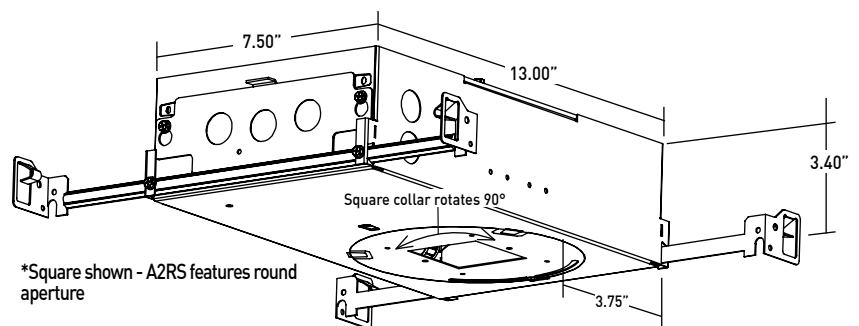


A2 UNIVERSAL ADJUSTABLE (AD), FIXED (FD), WALLWASH (WW) HOUSING



*Round shown - A2SS features square aperture

B SLIM FIXED (SF), SLIM WALLWASH (SW) FIXTURE



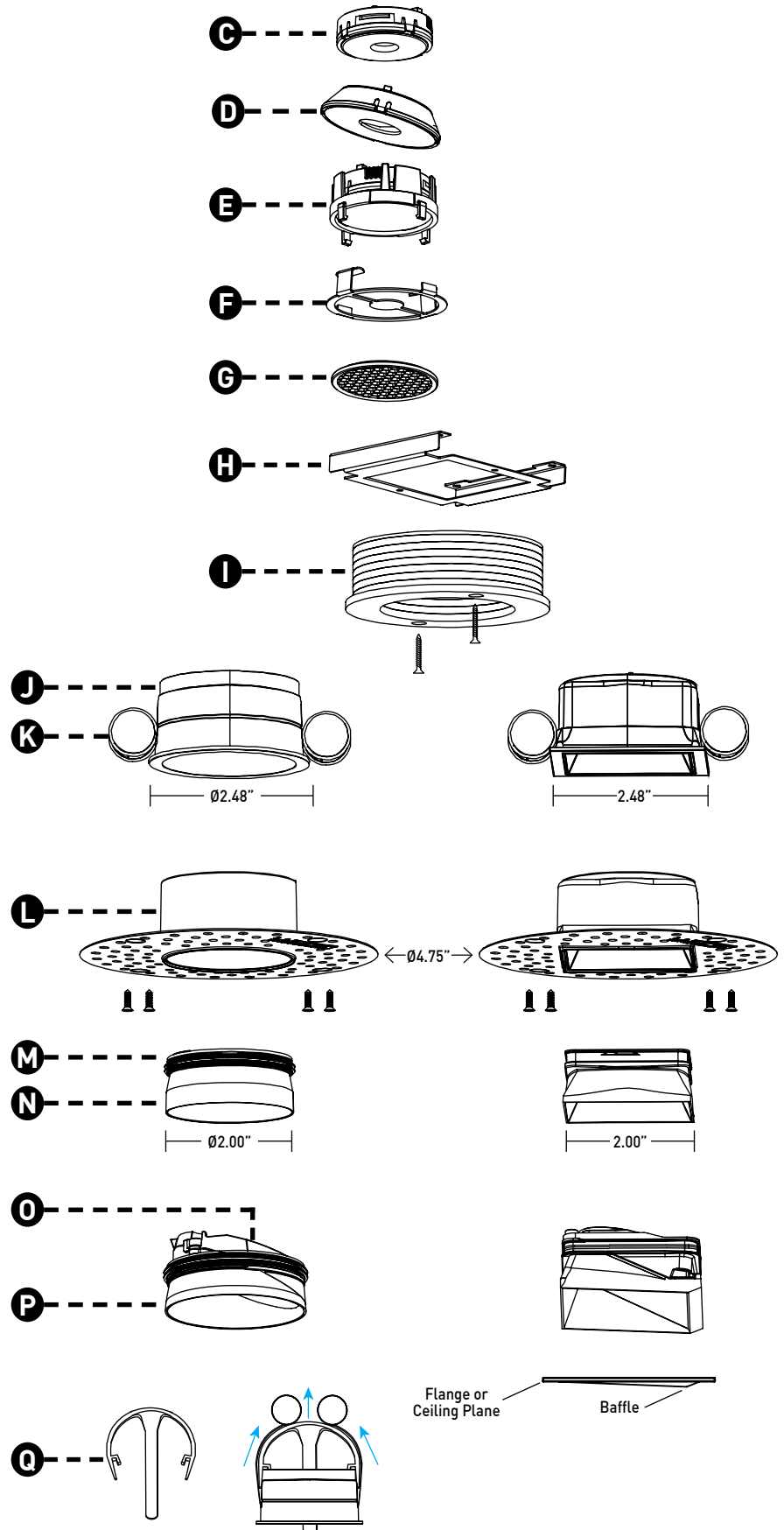
*Square shown - A2RS features round aperture

ATOMOS2 UNIVERSAL AND SLIM

COMPONENTS

- C STANDARD OPTICS**
Proprietary optic integrates Reflection, Refraction and TIR offering 15°, 25°, 35°, and 50° beams. 25° optic used for optimal accent washing.
- D WALLWASH OPTIC**
35° optic.
- E ADJUSTABLE ZOOM OPTIC**
Proprietary optic integrates Refraction and TIR. Allows precision tuning to beam spreads of 24°, 30°, 36°, 42°, and 48°. Not Available with Slim Fixed [SF]
- F 10° FIELD REDUCER**
Included with 10° optic.
- G HONEYCOMB LOUVER**
Clips onto optic.
- H TRIMLESS MILLWORK HOUSING ADAPTOR**
Ships with housing when trimless millwork is specified and provides attachment point for spacers. Requires 3.50" x 3.50" cutout.
- I TRIMLESS MILLWORK SPACERS**
Ship with housing when trimless millwork is specified; includes (1) 1/16" spacer and (8) 1/8" spacers.
- J FLANGE OVERLAY**
Installed after ceiling is complete. Requires 2-5/16" diameter cutout. Provides 0.16" total contractor (goof) allowance with 0.20" flange. Thickness measures 0.06".
- K RETENTION WHEELS**
Innovative design features constant force wheels that pulls fixture against ceiling. Provides a snug fit that prevents light leak and maximizes contractor goof allowance.
- L TRIMLESS DRYWALL**
Installs totally flush with the ceiling with no visible trim. Appliqué includes screws for mounting and has 0.06" plaster stop. Not recommended for stucco applications.
- M ADJUSTABLE AND FIXED MEDIA**
Soft focus media standard and sealed to baffle on Wet locations. Fixture is limited to 1 media and the honeycomb louver.
- N ADJUSTABLE AND FIXED BAFFLE**
Die-cast removable baffle provides easy access to tilting mechanism and features 45° glare cutoff. Minimizes aperture glare and conceals view into housing or ceiling; includes silicone gasket. Square baffle transitions from square to round.
- O WALLWASH MEDIA**
Acrylic wallwash lens, included and sealed in place.
- P WALLWASH BAFFLE**
Die-cast removable baffle minimizes aperture glare and conceals view into housing or ceiling; includes silicone gasket. Square baffle sits proud of the flange or ceiling plane to provide enhanced wallwashing effect.
- Q INSTALLATION TOOL**
Minimum 1 provided for every 10 flange overlay and trimless millwork fixtures.

DIMENSIONS / DRAWINGS



ATOMOS2 UNIVERSAL AND SLIM

HOUSING

- R TRIMLESS MILLWORK**
Installs totally flush with the ceiling with no visible trim. Utilizes the A2RS or A2SS standard configuration installed behind the ceiling.
- S ADJUSTABLE HANGER BAR HEIGHT ACCESSORY**
Specified as DHA-TG-KIT and recommended for installations in T-Grid. Hanger bars are installed to adjustable bracket. Allows housing to be raised and lowered; ceiling thickness remains 0.50" to 1.00" (SLIM) or 2.00" (Universal) max.
- T REMOTE POWER SUPPLY**
Provided with install types "S", "T", "K", "V", "W", and "D". Remote power supply provides additional driver options. Consult page 10 for maximum allowable secondary run lengths between PSA2-RMT and fixture. Must be installed in an accessible location.
- U ATHENA / CASAMBI CONTROL**
Controls integrated into remote driver assembly. All equipment is serviceable.

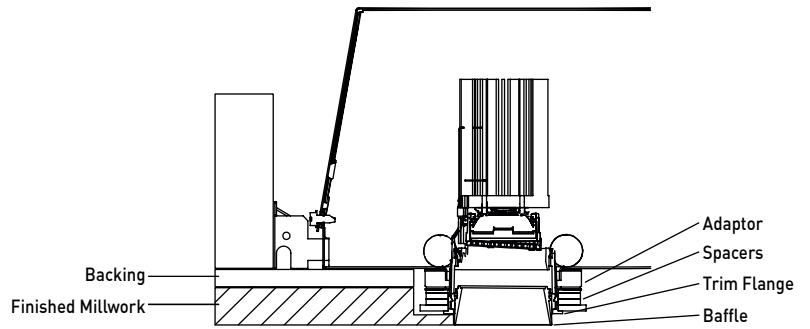
Athena Model Numbers: A-WN-D01-RF-BL & DFC-OEM-DBI

Casambi Model Number: BT-S1E1-5400
- V ATHENA / CASAMBI EM SHUNT**
Included with drivers specified as ASR, ADR, CSR, or CDR. One required for each wireless EM fixture, requires class 2 control wiring between fixture and shunt. Features integrated test switch.

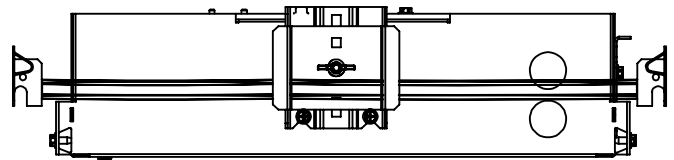
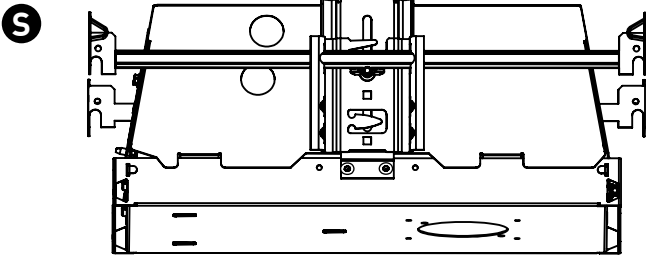
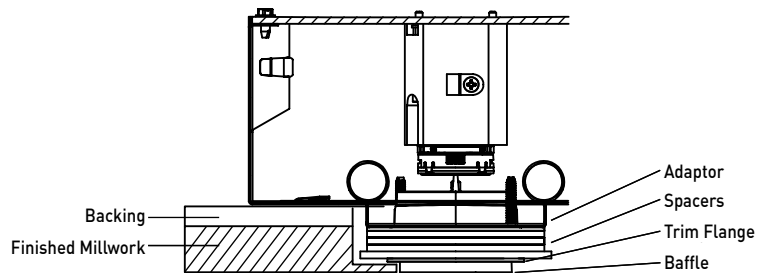
Model Number: PS-RMT-SHUNT

DIMENSIONS / DRAWINGS

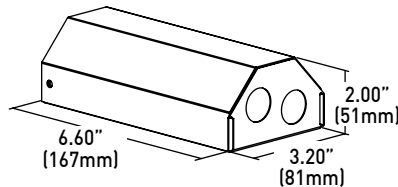
R UNIVERSAL TRIMLESS MILLWORK DETAIL (EXAMPLE)



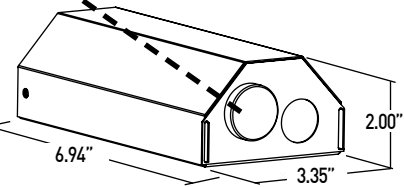
SLIM TRIMLESS MILLWORK DETAIL (EXAMPLE)



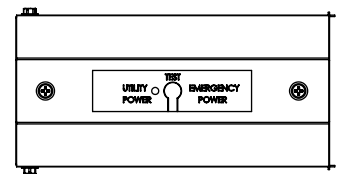
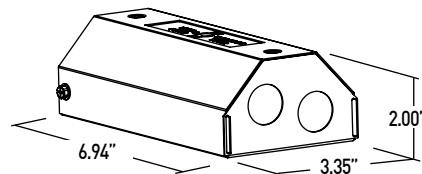
T



U



V



ATOMOS2 UNIVERSAL AND SLIM

REMODEL POWER SUPPLY

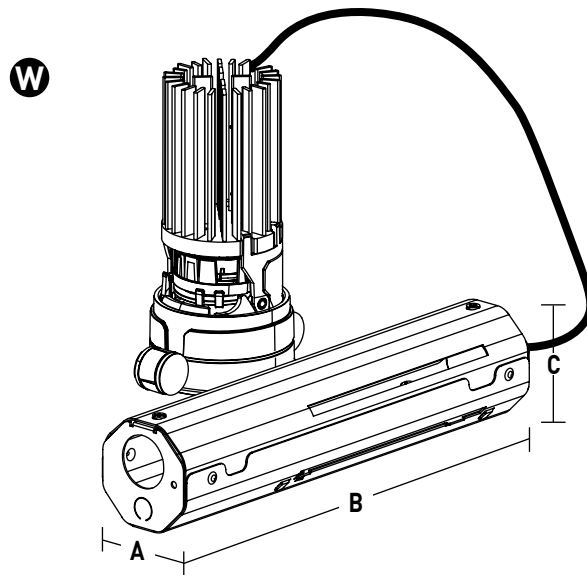
- W** REMODEL POWER SUPPLY
- Included with "R" Install Type.
 - UL2043 listed for air-handling plenum.
 - Fixture mounts without conventional housing.
 - Minimum 6.75" (172mm) (PH Driver) or 9.25" (235mm) (All other drivers) clearance from top of the ceiling plane to allow for driver installation and servicing.
 - Minimum setback from combustible and non-combustible materials of 6.63" (168mm) radius from fixture centerline.
 - Minimum 3.00" (76mm) setback from surfaces of power supply / junction box.
 - Minimum additional 3.00" (76mm) setback from insulation material with max R-Value 30 from any surface of downlight fixture assembly.
 - Minimum additional 6.00" (152mm) setback from polycell spray foam insulation with max R-Value 60 from any surface of downlight fixture assembly.

- X** REMOTE REMODEL APPLICATIONS
- Remote power supply included with "M" Install Type.
 - Minimum 0.75" (19mm) clearance from top of the fixture.
 - Requires plenum rated Class 2 cable between fixture and remote driver. Cable supplied by others.
 - See page 9 for maximum allowable wiring distances.

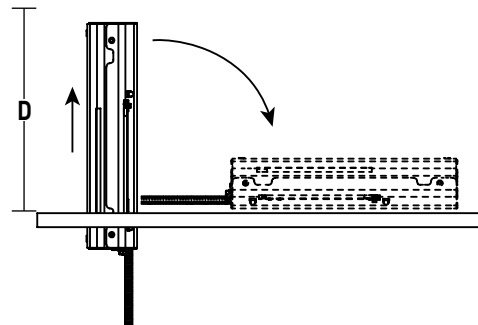
REMODEL NOTES

- Do not install in environments where ambient temperatures exceed 40°C (104°F).
- Power supply compartment and all splice connections may be serviced from room side.
- Consult factory for spacing requirements for any installations exceeding R-Value 60.

DIMENSIONS / DRAWINGS

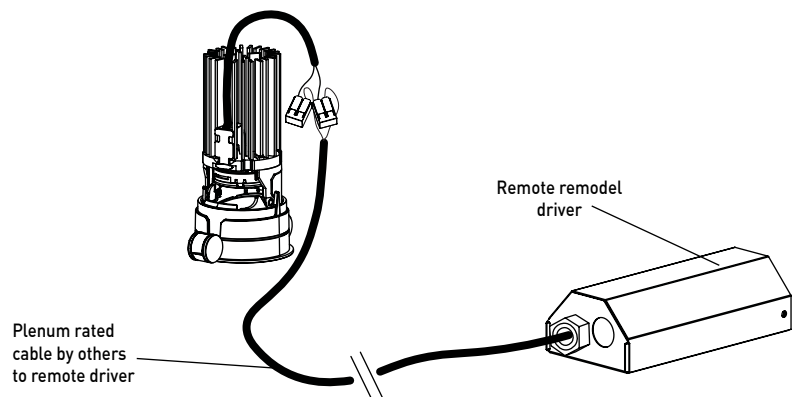


***D - MINIMUM REQUIRED CLEARANCE ABOVE CEILING**



DIMENSIONS				
DRIVER	A	B	C	D
PH	1.80"	5.55"	1.80"	6.75"
SG, SN, EG, EN, ED, LP, AS, CS	1.80"	8.07"	1.80"	9.25"

X



ATOMOS2 UNIVERSAL AND SLIM

TECHNICAL

CONSTRUCTION

Downlight: Painted finishes are granulated powder coat.
Housing: Aluminum and 22 Gauge galvanized steel.
Remote Power Supply: 22 Gauge galvanized steel.
Remodel Power Supply: 24 Gauge cold rolled steel.
Appliqué: High strength fiber reinforced polymer.

STATIC WHITE LED

2-step MacAdam ellipse LED module available in 80+ and 90+ CRI configurations in color temperatures of 2700K, 3000K, 3500K and 4000K.
 3-step MacAdam ellipse LED module available in 90+ CRI configuration in color temperature of 2400K. Average rated lamp life: 50,000 hours. LED and driver assemblies are field-replaceable.

WARM DIM LED

3-step MacAdam ellipse warm dim LED module available in 90+ CRI configuration. 3000K or 2700K at full brightness, warming to 1800K at full dim. Average rated lamp life of 50,000 hours. LED and driver assemblies are field-replaceable.

TUNABLE WHITE LED

3-step MacAdam ellipse tunable white LED module available in 90+ CRI configuration. Features tuning range of 2700K to 5000K and 1800K to 4000K. Average rated lamp life of 50,000 hours. Driver assemblies are field-replaceable.

POWER SUPPLY PERFORMANCE AND DIMMING INFORMATION

	ELV		ECO		0-10V					DALI			ATHENA		CASAMBI	
Power Supply	PH	L2	LP	LH	SG	SN	EG	EN	DN	ED	DD	DG	AS	AD	CS	CD
Minimum °C	-10 °C	0 °C	0 °C	0 °C	-20 °C	-10 °C	-20 °C	-20 °C	-20 °C	-20 °C	-20 °C	-20 °C	0 °C	0 °C	-20 °C	-20 °C
Maximum °C	40 °C	40 °C	40 °C	40 °C	40 °C	40 °C	40 °C	40 °C	40 °C	40 °C	40 °C	40 °C	40 °C	40 °C	40 °C	40 °C
Dimming %	1.0%	1.0%	0.1%	1.0%	1.0%	1.0%	0.1%	0.1%	0.1%	0.1%	0.1%	0.1%	0.1%	0.1%	0.1%	0.1%

Note: For L2, LH, LP, EG, EN, and SG drivers consult chart on page 11 to confirm appropriate dimming curve for compatibility with selected control.

MAXIMUM ALLOWABLE REMOTE DRIVER WIRING DISTANCES

DRIVER	WIRE AWG				
	12	14	16	18	20
PH, SN	285'	180'	113'	71'	45'
LP, L2, LH	60'	40'	25'	15'	-
EG, EN, SG, ED, AS, CS, AD, CD, DN, DD, DG	-	-	118'	72'	46'

WALLWASH SPACING

Recommended fixture spacing is 36" on center with 36" setback from wall plane.

LISTING

UL listed to UL1598 standard for Dry / Damp and Wet locations. Chicago Plenum, Airtight and Title 24 JA8-2022 Listed. NEMA 410 compliant.

BUY AMERICAN ACT

All IC and Non-IC Atomos configurations are Buy American Act compliant.

DECLARE

LBC Red List Approved.

WARRANTY

Manufacturer's 1-year warranty guarantees product(s) listed to be free from defects in material and workmanship under normal use and service. 5-year warranty on LED and power supply to operate with 70% of the original flux and remain within a range of 3 duv. 10-year Lutron Advantage limited warranty available on Lutron equipped systems. Warranty period begins from the date of shipment by Seller. Consult website for full warranty terms and conditions.

CHANGE LOG

- 06/09/2023: UPDATED SG AND SN DRIVERS TO ELDOLED ECODRIVE
- 2/07/2024: ADDED ATHENA AND CASAMBI CONTROL OFFERINGS. ADDED 2400K, TUNABLE WHITE, AND LOW WATTAGE OFFERINGS
- 3/15/2024: ADDED 10 DEGREE FIELD REDUCER, UPDATED 10 DEGREE PERFORMANCE DATA.



ATOMOS2 UNIVERSAL AND SLIM

DIMMING COMPATIBILITY

LUTRON DRIVER COMPATIBILITY

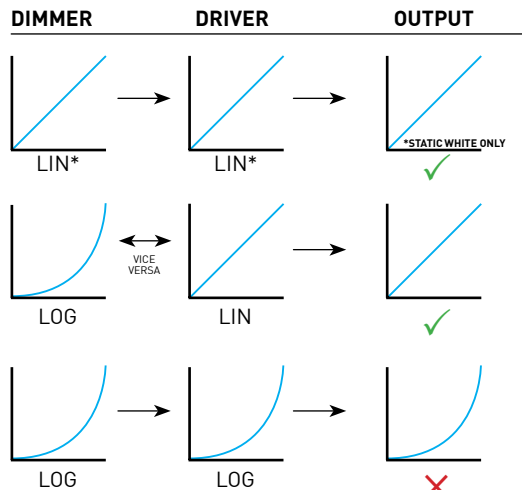
Power supply L2 Lutron Product Family	Part No.
Maestro WirelessR 600 W dimmer	MRF2-6ND-120-
Maestro WirelessR 1000 W dimmer	MRF2-10ND-120-
Caséta® Wireless Pro 1000 W dimmer	PD-10NXD-
GRAFIK T™ CL® dimmer	GT-250M- GTJ-250M-
HomeWorks® QS adaptive dimmer	HQRD-6NA-
HomeWorks® QS 600 W dimmer	HQRD-6ND-
HomeWorks® QS 1000 W dimmer	HQRD-10ND-
RadioRA® 2 adaptive dimmer	RRD-6NA-
RadioRA® 2 1000 W dimmer	RRD-10ND
myRoom™ DIN power module	MQSE-4A1-D
HomeWorks® QS DIN power module	LQSE-4A1-D
HomeWorks® QS wallbox power module	HQRJ-WPM-6D-120
HomeWorks® wallbox power module	HWI-WPM-6D-120
GRAFIK Eye® QS control unit	QSGR-, QSGRJ-
GRAFIK Eye® 3000 control unit	GRX-3100- GRX-3500-
RPM-4U module (LCP, HomeWorks® QS, GRAFIK Systems™, Quantum®)	HW-RPM-4U-120 LP-RPM-4U-120
RPM-4A module (LCP, HomeWorks® QS, GRAFIK Systems™, Quantum®)	HW-RPM-4A-120, LP-RPM-4A-120
GP dimming panels	Various
Ariadni CL 250W dimmer	AYCL-253P-
Diva CL 250W dimmer	DVCL-253P- DCSCCL-253P-
Nova T CL 250W dimmer	NTCL-250-
Power supply LP, LH Lutron Product Family	Part No.
PowPak Dimming Modules	RMJ-EC032-DV-B
PowPak Dimming Modules	FCJ/FCJS-ECO
Energi Savr Nodes	QSN-1ECO-S
GRAFIK Eye QS control unit	QSN-2ECO-S
Homeworks QS control unit	QSGRJ- E (wireless) QSGR- E
Quantum Hub	QP2-__ 2C
Quantum Hub	QP2-__ 4C
Quantum Hub	QP2-__ 6C
Quantum Hub	QP2-__ 8C
Homeworks QS power module	LQSE-2ECO-D
myRoom Plus power module	



eldoLED DRIVER COMPATIBILITY

Power supply EG, SG Manufacturer	Family/Model #
Busch-Jaeger	2112U-101
Jung	240-10
Leviton Lighting Controls	IP710-DLX
Lightolier Controls	ZP600FAM120
Merten	5729
Pass & Seymour	CD4FB-W
The Watt Stopper	DCLV1
Synergy	ISD BC
Crestron®	GLX-DIMFLV8
Crestron®	GLXP-DIMFLV8
Crestron®	GLPAC-DIMFLV4-*
Crestron®	GLPAC-DIMFLV8-*
Crestron®	GLPP-DIMFLVEX-PM
Crestron®	GLPP-1DIMFLV2EX-PM
Crestron®	GLPP-1DIMFLV3EX-PM
Crestron®	DIN-A08
Crestron®	DIN-4DIMFLV4
Crestron®	CLS-EXP-DIMFLV
Crestron®	CLCI-1DIMFLV2EX
Power supply EN Manufacturer	Family/Model #
Lutron Electronics	Nova T® - NTFTV
Lutron Electronics	Diva® - DVTV
Lutron Electronics	Nova® - NFTV
Lutron Electronics	GrafixEye® GRX-TVI w GRX3503
Lutron Electronics	Energy Savr Node™ - QSN-4T16-S
Lutron Electronics	TVM2 Module
Sensor Switch	nI0 EZ
ABB	SD/S 2.16.1

ANALOG DRIVERS AND DIMMERS



LIN = LINEAR
LOG = LOGARITHMIC
*LIN-TO-LIN NOT COMPATIBLE FOR WARM-DIM