

# MONOPOINT INTERNATIONAL CM1 HANG STRAIGHT

An innovative solution for sloped ceilings, this monopoint “hang straight” can suspend with a rigid stem up to 4’ in length, for ceiling pitches up to 45° while still allowing for a full 90° tilt.

PROJECT NAME:	TYPE:
---------------	-------



## ORDERING INFORMATION - MONOPOINT

CYLINDER	LENGTH	FIXTURE	BODY FINISH	BAFFLE FINISH	STEM FINISH	CRI / WATTAGE PACKAGE	CCT	OPTIC (UGR)	DRIVER	MEDIA	MOUNTING
<b>CM1</b>		<b>HS1</b>									<b>E</b>
CM1 66mm	<b>LENGTHS</b> SL 3" Standard 24 24" 48 48"  24" AND 48" STEMS ARE FIELD CUTTABLE. 3" STANDARD LENGTH STEM IS MINIMUM LENGTH.	<b>ADJUSTABLE DRY / DAMP</b> HS1 Adjustable 90° Fixture Tilt, Max ceiling pitch 12/12 (45°)	<b>POWDERCOAT</b> WH White BK Black AB Architectural Bronze AG Satin Silver AU Cashmere Gold BB Burnt Bronze CF Custom Finish* *(Consult Factory)	<b>POWDERCOAT</b> WH White BK Black AB Architectural Bronze AG Satin Silver AU Cashmere Gold BB Burnt Bronze CF Custom Finish* *(Consult Factory)	<b>POWDERCOAT</b> WH White BK Black AB Architectural Bronze AG Satin Silver AU Cashmere Gold BB Burnt Bronze CF Custom Finish* *(Consult Factory)	STATIC WHITE 80S11A 80+ CRI, 11 Watts Lumens Delivered - 1095 90S11A 90+ CRI, 11 Watts Lumens Delivered - 941 97S11A 97+ CRI, 11 Watts Lumens Delivered - 826  REMOTE STATIC WHITE 80S17A 80+ CRI, 17 Watts Lumens Delivered - 1655 90S17A 90+ CRI, 17 Watts Lumens Delivered - 1422 97S17A 97+ CRI, 17 Watts Lumens Delivered - 1249  WARM DIM 90W11A 90+ CRI, 11 Watts Incandescent Profile Lumens Delivered - 654 Halogen Profile Lumens Delivered - 658  REMOTE WARM DIM 90W18A 90+ CRI, 18 Watts Incandescent Profile Lumens Delivered - 1017 Halogen Profile Lumens Delivered - 1017  SEE PAGE 4 FOR WARM DIM PROFILE COMPARISON  REMOTE TUNABLE WHITE 90T17A 90+ CRI, 17W Cool Profile: 5000K - 2700K Lumens Delivered - 888 Warm Profile: 4000K - 1800K Lumens Delivered. - 8%	24 2400K* * (90+ CRI only) 27 2700K 30 3000K 35 3500K 40 4000K  24 2400K* * (90+ CRI only) 27 2700K 30 3000K 35 3500K 40 4000K  WL 2600K - 1800K WD 2900K - 1800K  WL 2700K - 1800K WD 3000K - 1800K  TH 5000K - 2700K TR 4000K - 1800K	10 10° (>19) 15 15° (<13) 20 20° (<10) 25 25° (<10) 40 40° (<10) 60 60° (<13)  10 10° (>19) 15 15° (<16) 20 20° (<10) 25 25° (<10) 40 40° (<10) 60 60° (<16)  20 20° (<10) 25 25° (<10) 40 40° (<10) 60 60° (<13)  20 20° (<10) 25 25° (<10) 40 40° (<10) 60 60° (<13)	<b>INTEGRAL</b> IE Electronic ELV / TRIAC 220V-240V  <b>REMOTE</b> IG eldoLED, SOLOdrive 0.1% 0-10V, LOG 120V-277V IN eldoLED, SOLOdrive 0.1% 0-10V, LIN 120V-277V ID eldoLED, SOLOdrive 0.1% DALI-2, LOG 120V-277V  <b>REMOTE TUNABLE WHITE</b> DD eldoLED, DUALdrive 0.1% DALI-2, LOG 120V-277V	<b>STANDARD MEDIA</b> 4 Soft Focus Lens* *(Required for 10° optic)  <b>ALTERNATE MEDIA</b> 2 Honeycomb Louver* *(Not available for Warm Dim) 3 Clear Glass Lens* *(Not available for Warm Dim) 5 Frosted Glass Lens 6 Frosted Soft Focus Lens 7 Frosted Linear Spread Lens S Soft Focus Lens w/ Honeycomb Louver F Frosted Glass Lens w/ Honeycomb Louver N No Lens* *(Not available for Warm Dim)	E EXMP Export Mounting Plate. Features 83mm diameter canopy
			<b>ALUMINA</b> 01 Brushed Obsidian 02 Matte Obsidian 03 Brushed Dark Patinated Bronze 04 Matte Dark Patinated Bronze 05 Brushed Aged Aluminum 06 Matte Aged Aluminum 07 Brushed Cast Brass 08 Matte Cast Brass 09 Brushed Light Patinated Bronze 10 Matte Light Patinated Bronze  ALUMINA NOT RECOMMENDED FOR EXTERIOR APPLICATIONS, FINISHES ARE NOT UV RATED	<b>ALUMINA</b> CONSULT FACTORY FOR ALUMINA FINISHES	<b>ALUMINA</b> CONSULT FACTORY FOR ALUMINA FINISHES	ALL LUMENS DELIVERED REFLECT 3000K PAIRED WITH 25° OPTIC AND SOFT FOCUS LENS		SEE PAGE 3 FOR UGR RATINGS			

### PART NUMBER NOTES

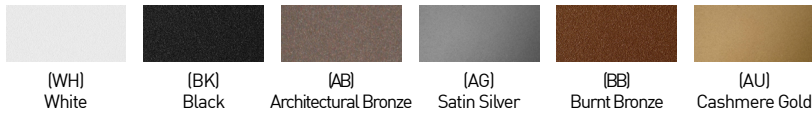
- CM1 ships as e.g., CM124HS1WHBK90S11\*3040LVS4F
- Remote driver ships as e.g., PS-RMT-90S-17A-IG\*



# MONOPOINT INTERNATIONAL CM1 HANG STRAIGHT

## FINISHES

### POWDERCOAT FINISHES



### ALUMINA FINISHES BY LUCIFER LIGHTING™



## ACCESSORIES

### REPLACEMENT MEDIA

- HCL-CT1** Honeycomb Louver\*  
\*(Not available for Warm Dim)
- CGL-CT1** Clear Glass Lens\*  
\*(Not available for Warm Dim)
- SFL-CT1** Soft Focus Lens
- FGL-CT1** Frosted Glass Lens
- FSFL-CT1** Frosted Soft Focus Lens
- FLSL-CT1** Frosted Linear Spread Lens

### REPLACEMENT OPTICS

Interchangeable optics accessible by removing baffle.

- | Static White   | Warm Dim   | Tunable White  |
|--|--|--|
| <input type="checkbox"/> <b>RO-50-15-S</b> 15° optic | <input type="checkbox"/> <b>RO-50-20-W</b> 20° optic | <input type="checkbox"/> <b>RO-50-15-T</b> 15° optic |
| <input type="checkbox"/> <b>RO-50-20-S</b> 20° optic | <input type="checkbox"/> <b>RO-50-25-W</b> 25° optic | <input type="checkbox"/> <b>RO-50-20-T</b> 20° optic |
| <input type="checkbox"/> <b>RO-50-25-S</b> 25° optic | <input type="checkbox"/> <b>RO-50-40-W</b> 40° optic | <input type="checkbox"/> <b>RO-50-25-T</b> 25° optic |
| <input type="checkbox"/> <b>RO-50-40-S</b> 40° optic | <input type="checkbox"/> <b>RO-50-60-W</b> 60° optic | <input type="checkbox"/> <b>RO-50-40-T</b> 40° optic |
| <input type="checkbox"/> <b>RO-50-60-S</b> 60° optic |  | <input type="checkbox"/> <b>RO-50-60-T</b> 60° optic |

# MONOPOINT INTERNATIONAL CM1 HANG STRAIGHT

## PERFORMANCE - 3000K

LUMEN PACKAGE	WATTAGE	10° OPTIC SOFT FOCUS LENS		15° OPTIC SOFT FOCUS LENS		20° OPTIC SOFT FOCUS LENS		25° OPTIC SOFT FOCUS LENS		40° OPTIC SOFT FOCUS LENS		60° OPTIC SOFT FOCUS LENS	
		DELIVERED	LPW	DELIVERED	LPW	DELIVERED	LPW	DELIVERED	LPW	DELIVERED	LPW	DELIVERED	LPW
80S11A	11	454	41	991	90	1093	99	1095	100	1019	93	1145	104
80S17A	17	619	36	1435	84	1701	100	1655	97	1513	89	1640	96
90S11A	11	391	35	851	86	939	95	941	96	875	89	984	100
90S17A	17	532	31	1233	76	1461	90	1422	87	1300	80	1409	86
97S11A	11	337	30	747	68	824	75	826	75	768	70	864	79
97S17A	17	460	27	1083	64	1283	75	1249	73	1141	67	1237	73
90W11A (2600K-1800K)	11	-	-	-	-	667	60	654	59	605	54	635	58
90W11A (2900K-1800K)	11	-	-	-	-	661	60	658	59	600	54	640	58
90W18A (2700K-1800K)	18	-	-	-	-	1019	56	1017	56	927	57	997	62
90W18A (3000K-1800K)	18	-	-	-	-	1043	57	1017	56	943	58	991	61
90T17A (4000K-1800K)	17	-	-	798	47	917	54	896	53	811	48	910	54
90T17A (5000K-2700K)	17	-	-	791	47	909	53	888	52	803	47	902	53

**Part L** 75+ LPW configurations comply with residential Part L  
95+ LPW configurations comply with commercial Part L

### UNIFIED GLARE RATING

10° OPTIC SOFT FOCUS LENS	15° OPTIC SOFT FOCUS LENS	20° OPTIC SOFT FOCUS LENS	25° OPTIC SOFT FOCUS LENS	40° OPTIC SOFT FOCUS LENS	60° OPTIC SOFT FOCUS LENS
>19	<16	<10	<10	<10	<16

### MEDIA LIGHT LOSS MULTIPLIER

MEDIA	LIGHT LOSS FACTOR
No Lens	1.05
CGL	0.97
SFL	1.00
FGL	0.85
FSFL	0.82
FLSL	0.78
HCL	0.75
SFL W/ HCL	0.68
FGL W/ HCL	0.47

### OUTPUT MULTIPLIER

CCT	CCT SCALE
2400K	0.85
2700K	0.97
3000K	1.000
3500K	1.03
4000K	1.08

### TUNABLE WHITE MULTIPLIER

CCT	5000K-2700K	4000K-1800K
5000K	1.16	-
4000K	1.08	1.14
3500K	1.04	1.07
3000K	1.00	1.00
2700K	0.96	0.92
2400K	-	0.84
1800K	-	0.69

# MONOPOINT INTERNATIONAL CM1 HANG STRAIGHT

## WARM DIM PERFORMANCE - SOFT FOCUS LENS - 25° OPTIC

INCANDESCENT DIMMING PROFILE

90W11AL 2600K - 1800K	Full on 100%	Dimmed to 80%	Dimmed to 70%	Dimmed to 50%	Dimmed to 20%	Dimmed to 10%	Dimmed to 2%
CCT (K)	2600	2550	2520	2450	2200	1925	1800
Light Output (Lm)	654	523	457	327	130	65	13
Power (W)	11	8.8	7.7	5.5	2.2	1.1	.22
Efficacy (LPW)	59	59	59	59	59	59	59

90W18AL 2700K - 1800K	Full on 100%	Dimmed to 80%	Dimmed to 70%	Dimmed to 50%	Dimmed to 20%	Dimmed to 10%	Dimmed to 2%
CCT (K)	2600	2650	2620	2520	2180	1950	1800
Light Output (Lm)	1017	813	711	508	203	101	203
Power (W)	18	14.4	12.6	9	3.6	1.8	.36
Efficacy (LPW)	56	56	56	56	56	56	56

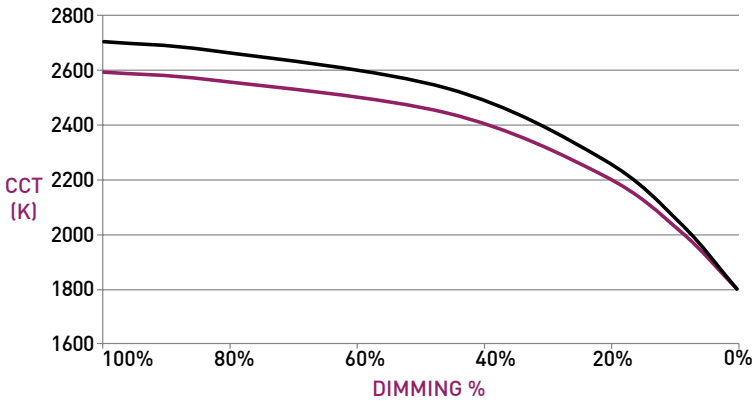
HALOGEN WARM DIM PROFILE

90W11AD 2900K - 1800K	Full on 100%	Dimmed to 80%	Dimmed to 70%	Dimmed to 50%	Dimmed to 20%	Dimmed to 10%	Dimmed to 2%
CCT (K)	2900	2850	2800	2720	2350	1975	1800
Light Output (Lm)	658	526	460	329	131	65	13
Power (W)	11	8.8	7.7	5.5	2.2	1.1	.22
Efficacy (LPW)	59	59	59	59	59	59	59

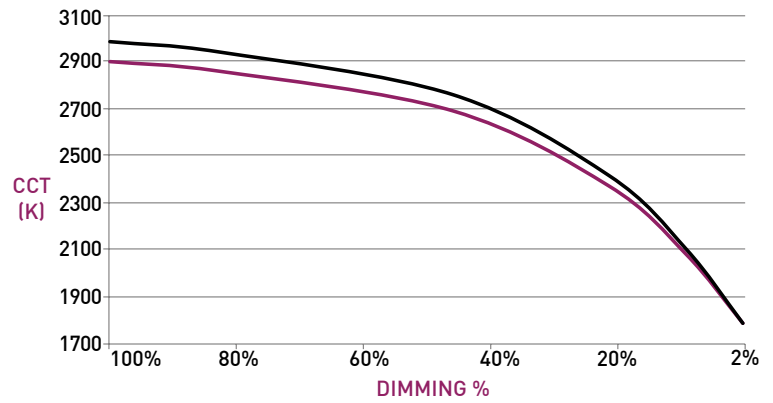
  

90W18AD 3000K - 1800K	Full on 100%	Dimmed to 80%	Dimmed to 70%	Dimmed to 50%	Dimmed to 20%	Dimmed to 10%	Dimmed to 2%
CCT (K)	3000	2950	2920	2775	2375	2000	1800
Light Output (Lm)	1017	813	711	508	203	101	203
Power (W)	18	14.4	12.6	9	3.6	1.8	.36
Efficacy (LPW)	56	56	56	56	56	56	56

11W / 18W



11W / 18W



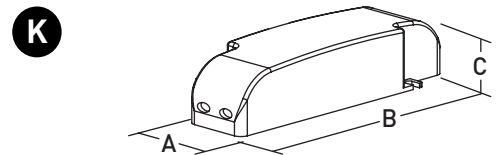
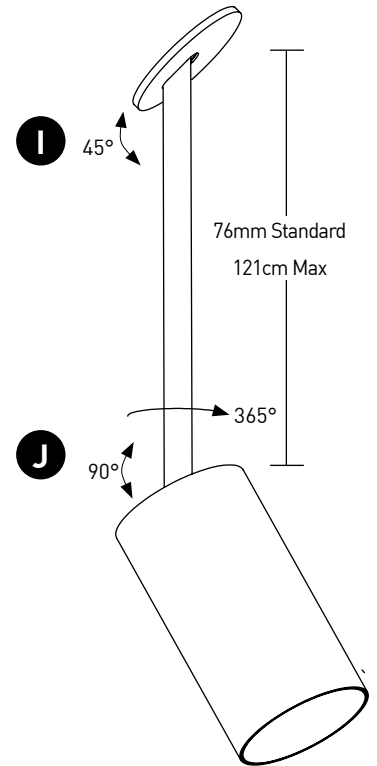
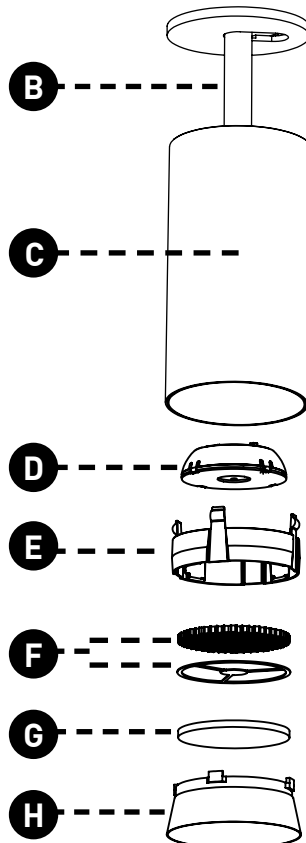
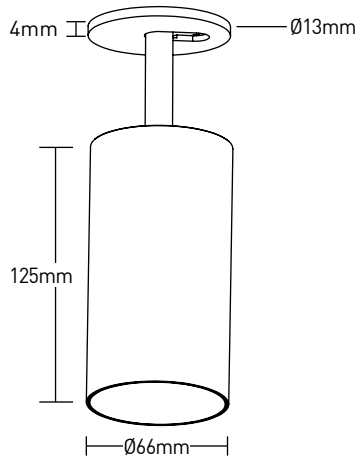
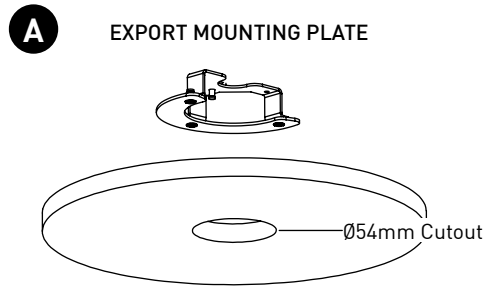
# MONOPOINT INTERNATIONAL CM1 HANG STRAIGHT

## MONOPOINT

- A EXPORT MOUNTING PLATE**  
Export mounting plate (concealed) to be installed above ceiling substrate. Features minimalist 66mm diameter canopy
- B STEM**  
Standard length is 3", also available in 24" and 48" lengths. All lengths excepts 3" are field cuttable. Powdercoat finishes standard, consult factory for Alumina finishes.
- C BODY**  
Available in powdercoat and Alumina finishes. Power supply integrated into fixture body.
- D OPTICS**  
Robust light engine with optimized optic pairing integrates Reflection, Refraction, and TIR offering 10°, 15°, 20°, 25°, 40° & 60° beams.
- E LENS RETAINER**  
Accepts 2 media devices.
- 10° FIELD REDUCER**
- F** Included with 10° optic. Reduces field angle by 30%.
- G MEDIA**  
Soft Focus Lens standard.
- H BAFFLE**  
Baffle minimizes aperture glare and conceals view into fixture. Powdercoat finishes standard, consult factory for Alumina finishes.
- I HANG STRAIGHT CANOPY**  
Features hidden ball joint that accomodates installations on up to 12/12 (45°) sloped ceilings.
- J ADJUSTABILITY**  
Features locking 90° tilt and 365° rotation. Stem features 45° tilt to accommodate up to 12/12 slopes.

## REMOTE POWER SUPPLY

- K** Remote power supply provides additional driver options. See page 5 for maximum allowable wiring distance. Must be installed in an accessible location.



POWER SUPPLY DIMENSIONS			
Model	A	B	C
IG	41mm	210mm	34mm
IN			
ID	76mm	130mm	30mm
DD			

# MONOPOINT INTERNATIONAL CM1 HANG STRAIGHT

## TECHNICAL

### CONSTRUCTION

**Monopoint:** Machined aluminum body; painted finishes are granulated powder coat; Alumina finishes are anodized aluminum.

### STATIC WHITE LED

2-step MacAdam ellipse LED module available in 80+, 90+ and 97+ CRI configurations in color temperatures of 2700K, 3000K, 3500K and 4000K.  
3-step MacAdam ellipse LED module available in 90+ CRI configurations in color temperature of 2400K. Average rated lamp life of 50,000 hours.

### WARM DIM LED

3-step MacAdam ellipse warm dim LED module available in 90+ CRI configuration. 3000K or 2700K at full brightness, warming to 1800K at full dim. Average rated lamp life of 50,000 hours.

### TUNABLE WHITE LED

3-step MacAdam ellipse tunable white LED module available in 90+ CRI configuration. Features tuning ranges of 1800K to 4000K and 2700K to 5000K. Average rated lamp life of 50,000 hours.

### POWER SUPPLY PERFORMANCE AND DIMMING INFORMATION

Power Supply	PHASE		0-10V		DALI	
	IE	IG	IN	ID	DD	
Minimum °C	-20 °C	-20 °C	-20 °C	-20 °C	-20 °C	
Maximum °C	40 °C	40 °C	40 °C	40 °C	40 °C	
Dimming %	2.0%	0.1%	0.1%	0.1%	0.1%	

Note: For IG and IN drivers consult chart on page 7 to confirm appropriate dimming curve for compatibility with selected control.

### MAXIMUM ALLOWABLE REMOTE DRIVER WIRING DISTANCES

DRIVER	WIRE AWG				
	12	14	16	18	20
IG, IN, ID, DD	-	-	118'	72'	46'

### LISTING

Monopoints and drivers CE Listed for Dry / Damp locations.  
Integral drivers ENEC and CB Listed.

### DECLARE

LBC Red List Approved.

### PART L

Part L compliant for all 75+ LPW residential and 95+ LPW commercial configurations.

### LIMITED WARRANTY

Manufacturer's Limited Warranty guarantees product(s) listed to be free from defects in material and workmanship under normal use and service for 1-year. LED and power supplies are warranted to operate with 70% of original flux and remain within a range of 3 duv for a period of 5-years. Warranty period begins from the date of shipment by Seller. [Consult website for full warranty terms and conditions.](#)

### CHANGE LOG

- 02/13/2024: ADDED TUNABLE WHITE OFFERING.
- 2/15/2024: PART L COMPLIANCE ADDED.
- 03/18/2024: UPDATED 10 DEGREE NARROW BEAM TO UTILIZE FILED REDUCER.



# MONOPOINT INTERNATIONAL CM1 HANG STRAIGHT

## DIMMING COMPATABILITY

### eldoLED DRIVER COMPATIBILITY

Power supply <b>IG</b> Manufacturer	Family/Model #
Busch-Jaeger	2112U-101
Jung	240-10
Leviton Lighting Controls	IP710-DLX
Lightolier Controls	ZP600FAM120
Merten	5729
Pass & Seymour	CD4FB-W
The Watt Stopper	DCLV1
Synergy	ISD BC
Crestron®	GLX-DIMFLV8
Crestron®	GLXP-DIMFLV8
Crestron®	GLPAC-DIMFLV4-*
Crestron®	GLPAC-DIMFLV8-*
Crestron®	GLPP-DIMFLVEX-PM
Crestron®	GLPP-1DIMFLV2EX-PM
Crestron®	GLPP-1DIMFLV3EX-PM
Crestron®	DIN-A08
Crestron®	DIN-4DIMFLV4
Crestron®	CLS-EXP-DIMFLV
Crestron®	CLCI-1DIMFLV2EX
Power supply <b>IN</b> Manufacturer	Family/Model #
Lutron Electronics	Nova T® - NTFTV
Lutron Electronics	Diva® - DDTV
Lutron Electronics	Nova® - NFTV
Lutron Electronics	GrafixEye® GRX-TVI w GRX3503
Lutron Electronics	Energy Savr Node™ - QSN-4T16-S
Lutron Electronics	TVM2 Module
Sensor Switch	nIO EZ
ABB	SD/S 2.16.1