

# FRAXION® 4 SLIM

## FIXED

Fraxion4 Slim incorporates an LED, optic, and housing into a single complete unit featuring a removable baffle and trim. Conversely, Fraxion4 offers a separate housing and trim assembly.

PROJECT NAME:	TYPE:
---------------	-------



### ORDERING INFORMATION - DOWNLIGHT / HOUSING



JA8-2022 INDICATED BY SHADING

SHAPE	TRIM	RATING	FLANGE FINISH	BAFFLE FINISH	CRI / WATTAGE PACKAGE	CCT	OPTIC (UGR)	INSTALL TYPE	CEILING THICKNESS	DRIVER	MEDIA
F4R Round	FFS Standard Flange	1 Dry/Damp 2 Wet* *(Suction cup provided for aim and focus)	WH White	WH White	<b>STATIC WHITE 2.10" TALL HOUSING</b> 80S11A 80+ CRI, 11W, Lumens Dlvd. - 1351 80S15A 80+ CRI, 15W, Lumens Dlvd. - 1681 80S21A 80+ CRI, 21W, Lumens Dlvd. - 2271 80S30B 80+ CRI, 30W, Lumens Dlvd. - 3059* 80S36B 80+ CRI, 36W, Lumens Dlvd. - 3614* 90S11A 90+ CRI, 11W, Lumens Dlvd. - 1161 90S15A 90+ CRI, 15W, Lumens Dlvd. - 1444 90S21A 90+ CRI, 21W, Lumens Dlvd. - 1951 90S30B 80+ CRI, 30W, Lumens Dlvd. - 2628* 90S36B 90+ CRI, 36W, Lumens Dlvd. - 3105* 97S11A 97+ CRI, 11W, Lumens Dlvd. - 1019 97S15A 97+ CRI, 15W, Lumens Dlvd. - 1268 97S21A 97+ CRI, 21W, Lumens Dlvd. - 1713 97S30B 90+ CRI, 30W, Lumens Dlvd. - 2307* 97S36B 90+ CRI, 36W, Lumens Dlvd. - 2726*	24 2400K* *(90+ CRI only. Not available for 30W or 36W packages) 27 2700K 30 3000K 35 3500K* *(Not available with 97S30B or 97S36B) 40 4000K	10 10° (<13) *(15W packages only) 15 15° (<16) 20 20° (<13) 25 25° (<13) 40 40° (<13) 60 60° (<13) 85 85° (<19) *(Requires -14 WDL effects device)	<b>INTEGRAL DRIVER</b> X IC Y NIC C IC, Airtight* *(CCEA, Airtight & Title 24 compliant housing) <b>REMOTE DRIVER</b> V IC, Remote W NIC, Remote D IC, Airtight, Remote* *(CCEA, Airtight & Title 24 compliant housing)	1 0.50" - 1.00" T TG 0.50" - 1.00" *(Includes adjustable housing height bracket)	<b>DOMESTIC (120V)</b> TR2 Philips, 2% Leading/Trailing/Tricac* *(Not available for 30W or 36W packages) L23 Lutron, Hi-Lume 1% 2-Wire <b>UNIVERSAL (120-277V)</b> LH1 Lutron, Hi-Lume 1% Ecosystem LP1 Lutron, Hi-Lume Premier 0.1% Ecosystem* *(Not available for 30W or 36W packages) AN4 Philips Titanium 1% 0-10V, LOG LN2 Philips Titanium 1% 0-10V, LIN EA2 eldoLED, SOL0drive 0.1% 0-10V, LOG LA2 eldoLED, SOL0drive 0.1% 0-10V, LIN ED1 eldoLED, SOL0drive 0.1% DALI-2, LOG AS1 / Athena Control ASR eldoLED, SOL0drive 0.1%* *(Includes Athena Node. Extended lead time, consult factory. ASR includes shunt) CS1 / Casambi Control CSR eldoLED, SOL0drive 0.1%* *(Includes Casambi Node. Extended lead time, consult factory. CSR includes shunt) <b>TUNABLE WHITE POWER SUPPLIES (120-277V)</b> DD1 eldoLED, DUALdrive 0.1% DALI-2, LOG DG1 eldoLED, DUALdrive 0.1% 0-10V, LOG DL1 eldoLED, DUALdrive 0.1% 0-10V, LIN AD1 / Athena Control ADR eldoLED, DUALdrive 0.1%* *(Includes Athena Node. Extended lead time, consult factory. ADR includes shunt) CD1 / Casambi Control CDR eldoLED, DUALdrive 0.1%* *(Includes Casambi Node. Extended lead time, consult factory. CDR includes shunt)	<b>STANDARD MEDIA</b> 04 Soft Focus Lens NL No Lens* *(Standard with 10° optic. Not available for Wet Location, or Airtight Housings) <b>ALTERNATE MEDIA</b> 02 Honeycomb Louver* *(Not available for Wet location, Warm Dim, or Airtight Housings) 03 Clear Glass Lens* *(Not available for Warm Dim) 05 Frosted Glass Lens 08 Frosted Soft Focus Lens 14 Wide Distribution Lens* *(Required and only available for 85° beam spread) 26 Frosted Linear Spread Lens
	F4S Square		FFS Standard Flange	AG Satin Silver							
			AU Cashmere Gold BB Burnt Bronze BK Black PR Primer 00 Trimless* *(Required for trimless) CF Custom Finish* *(Consult Factory)	AU Cashmere Gold BB Burnt Bronze BK Black PR Primer CF Custom Finish* *(Consult Factory)							



### PART NUMBER NOTES

- Housing and trim ship as e.g., F4RMFS1-WHWH-90S15A2-3X1-AN4



# FRAXION4SLIM FIXED

## ACCESSORIES

### ROUND ALTERNATE MEDIA

Dry/Damp location only.

Wet location requires alternate baffle.

- HCL-F4R** Honeycomb Louver w/ Diffusion Film\*  
\*(Not available for Warm Dim, or Airtight housings)
- CGL-F4R** Clear Glass Lens\*  
\*(Not available for Warm Dim)
- FGL-F4R** Frosted Glass Lens
- SFL-F4R** Soft Focus Lens
- FSFL-F4R** Frosted Soft Focus Lens
- WDL-F4R** Wide Distribution Lens\*  
\*(Required and only available for 85° beam spread)
- FLSL-F4R** Frosted Linear Spread Lens

### SQUARE ALTERNATE MEDIA

Dry/Damp location only.

Wet location requires alternate baffle.

- HCL-F4S** Honeycomb Louver w/ Diffusion Film\*  
\*(Not available for Warm Dim, or Airtight housings)
- CGL-F4S** Clear Glass Lens\*  
\*(Not available for Warm Dim)
- FGL-F4S** Frosted Glass Lens
- SFL-F4S** Soft Focus Lens
- FSFL-F4S** Frosted Soft Focus Lens
- WDL-F4S** Wide Distribution Lens\*  
\*(Required and only available for 85° beam spread)
- FLSL-F4S** Frosted Linear Spread Lens

### REPLACEMENT BAFFLE ASSEMBLY (INCLUDES MEDIA)

ASSEMBLY	SHAPE	TRIM	RATING	FLANGE FINISH	MEDIA
<b>RBA</b>				<b>1</b>	
REPLACEMENT BAFFLE ASSEMBLY	<b>F4R</b> Round	FFS Standard Flange MFS Microflange TFS Trimless	1 Dry / Damp 2 Wet	WH White BK Black PR Primer AU Cashmere Gold AG Satin Silver BB Burnt Bronze CF Custom Finish* *(Consult Factory)	Leave blank for standard Soft Focus Lens
	<b>F4S</b> Square	FFS Standard Flange MFS Microflange TFS Trimless FFT Standard Flange Transitional Baffle MFT Microflange Transitional Baffle TFT Trimless Transitional Baffle			HCL Honeycomb Louver w/ Diffusion Film* *(Not available for Wet location, Warm Dim, or Airtight housings) CGL Clear Glass Lens* *(Not available for Warm Dim) FGL Frosted Glass Lens FSFL Frosted Soft Focus Lens WDL Wide Distribution Lens* *(Required and only available for 85° beam spread) FLSL Frosted Linear Spread Lens

### REPLACEMENT OPTICS

Interchangeable optics accessible through fixture aperture.

#### STATIC WHITE

- RO-70-15-S** 15° optic
- RO-70-20-S** 20° optic
- RO-70-25-S** 25° optic
- RO-70-40-S** 40° optic
- RO-70-60-S** 60° optic

#### WARM DIM

- RO-70-20-W** 20° optic
- RO-70-25-W** 25° optic
- RO-70-40-W** 40° optic
- RO-70-60-W** 60° optic

#### TUNABLE WHITE

- RO-70-15-T** 15° optic
- RO-70-20-T** 20° optic
- RO-70-25-T** 25° optic
- RO-70-40-T** 40° optic
- RO-70-60-T** 60° optic

### REPLACEMENT SUCTION TOOL

One included with every six fixtures designated Wet location.

- F4-TOOL-SUCTION** Allows for removal of baffle with Wet location

### T-GRID ACCESSORY KIT

Supplied with ceiling thickness "T" and recommended for installations in T-Grid up to 1.5" tall. Available for ceiling thicknesses from 0.5" - 1.0".

- DHA-TG-KIT**

### FURRING CHANNEL ACCESSORY KIT

Recommended for installations in furring channel. Available for ceiling thicknesses from 0.5" - 1.0".

- DHA-FC-KIT**

### HANGER BAR EXTENDER KIT

Extends hanger bars from 24.0" to 46.0" maximum.

- FRX-HBE-46** Extender, Hanger Bar

### EMERGENCY LIGHTING - REMOTE MOUNT ONLY

During disruption of main power, emergency battery inverter provides temporary 120V or 277V to fixture.

- EMB-S-25-120/277-LEDX** 25 watt max capacity, 120 or 277 VAC 60Hz, Non-Dimmable
- EMB-S-100-120-LEDX** 100 watt max capacity, 120 VAC 60Hz, 0-10V Dimmable
- EMB-S-100-277-LEDX** 100 watt max capacity, 277 VAC 60Hz, 0-10V Dimmable
- EMB-S-250-120/277-LEDX** 250 watt max capacity, 120 or 277 VAC 60Hz, 0-10V Dimmable

**\*SHUNT REQUIRED FOR USE WITH ATHENA AND CASAMBI CONTROLS, CONSULT FACTORY FOR DETAILS.**

# FRAXION4SLIM FIXED

PERFORMANCE - 3000K

24  
JA8-2022 INDICATED BY SHADING

PACKAGE	WATTS	10° OPTIC NO LENS		15° OPTIC SOFT FOCUS LENS		20° OPTIC SOFT FOCUS LENS		25° OPTIC SOFT FOCUS LENS		40° OPTIC SOFT FOCUS LENS		60° OPTIC SOFT FOCUS LENS		85° OPTIC WIDE DISTRIBUTION	
		DLVD.	LPW	DLVD.	LPW	DLVD.	LPW	DLVD.	LPW	DLVD.	LPW	DLVD.	LPW	DLVD.	LPW
80S11A	11	-	-	1194	109	1255	114	1351	123	1246	113	1122	102	961	87
80S15A	15	1389	126	1609	107	1689	113	1681	112	1612	107	1495	100	1296	86
80S21A	21	-	-	2228	106	2264	108	2271	108	2179	104	2020	96	1762	84
80S30B	30	-	-	2928	139	3104	148	3059	146	2917	139	2739	130	2419	115
80S36B	36	-	-	3453	164	3657	174	3614	172	3439	164	3212	153	2851	136
90S11A	11	-	-	1026	93	1078	98	1161	106	1070	97	964	88	826	75
90S15A	15	1197	109	1382	92	1451	97	1444	96	1385	92	1284	86	1113	74
90S21A	21	-	-	1914	91	1945	93	1951	93	1872	89	1735	83	1514	72
90S30B	30	-	-	2515	84	2667	89	2628	88	2506	84	2353	78	2078	69
90S36B	36	-	-	2966	82	3142	87	3105	86	2954	82	2759	77	2449	68
97S11A	11	-	-	901	82	946	86	1019	93	939	85	846	77	725	66
97S15A	15	1033	94	1213	81	1274	85	1268	85	1216	81	1127	75	977	65
97S21A	21	-	-	1680	80	1708	81	1713	82	1644	78	1523	73	1329	63
97S30B	30	-	-	2208	74	2342	78	2307	77	2200	73	2066	69	1824	61
97S36B	36	-	-	2604	72	2759	77	2726	76	2594	72	2422	67	2150	60
90W15A (WL 27K-18K)	15	-	-	-	-	1055	70	1022	68	1001	67	949	63	851	57
90W15A (WD 30K-18K)	15	-	-	-	-	1056	70	1023	68	1007	67	957	64	858	57
90T15B (40K-18K)	15	-	-	1203	80	1267	84	1247	83	1191	79	1122	75	969	65
90T15B (50K-27K)	15	-	-	1192	79	1256	84	1236	82	1180	79	1112	74	960	64
90T22B (40K-18K)	22	-	-	1664	76	1752	80	1710	78	1651	75	1574	72	1351	61
90T22B (50K-27K)	22	-	-	1649	75	1736	79	1695	77	1636	74	1560	71	1339	61

OUTPUT MULTIPLIER

CCT	CCT SCALE
2400K	0.85
2700K	0.97
3000K	1.00
3500K	1.03
4000K	1.08

MEDIA LIGHT LOSS FACTOR

MEDIA	LIGHT LOSS FACTOR
NO LENS	1.06
CGL	1.00
SFL	1.00
FGL	0.89
FSFL	0.81
FLSL	0.82
HCL	0.73

TUNABLE WHITE MULTIPLIER

CCT	5000K-2700K	4000K-1800K
5000K	1.16	-
4000K	1.08	1.14
3500K	1.04	1.07
3000K	1.00	1.00
2700K	0.96	0.92
2400K	-	0.84
1800K	-	0.69

UNIFIED GLARE RATING

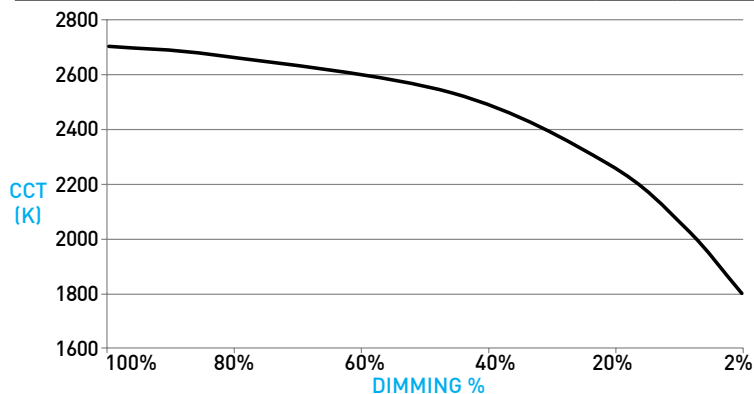
10° OPTIC NO LENS	15° OPTIC SOFT FOCUS LENS	20° OPTIC SOFT FOCUS LENS	25° OPTIC SOFT FOCUS LENS	40° OPTIC SOFT FOCUS LENS	60° OPTIC SOFT FOCUS LENS	85° OPTIC WIDE DISTRIBUTION
<13	<16	<13	<13	<13	<13	>19

# FRAXION4 SLIM FIXED

## WARM DIM PERFORMANCE - 25° OPTIC - SOFT FOCUS LENS

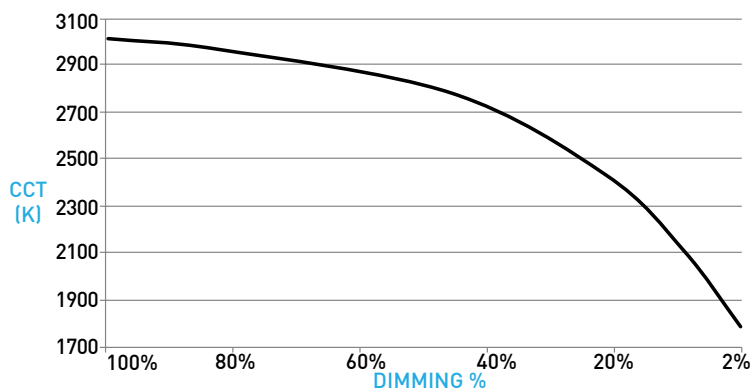
WARM DIM TO MIRROR INCANDESCENT DIMMING PROFILE

WL 2700K - 1800K	Full on 100%	Dimmed to 80%	Dimmed to 70%	Dimmed to 50%	Dimmed to 20%	Dimmed to 10%	Dimmed to 2%
CCT (K)	2700	2650	2620	2520	2180	1950	1800
Light Output (Lm)	1022	817	715	511	204	102	20
Power (W)	15	12	10.5	7.5	3	1.5	.3
Efficacy (LPW)	68	68	68	68	68	68	68



HALOGEN DIMMING PROFILE

WD 3000K - 1800K	Full on 100%	Dimmed to 80%	Dimmed to 70%	Dimmed to 50%	Dimmed to 20%	Dimmed to 10%	Dimmed to 2%
CCT (K)	3000	2950	2920	2775	2375	2000	1800
Light Output (Lm)	1023	818	716	511	204	102	20
Power (W)	15	12	10.5	7.5	3	1.5	.3
Efficacy (LPW)	68	68	68	68	68	68	68

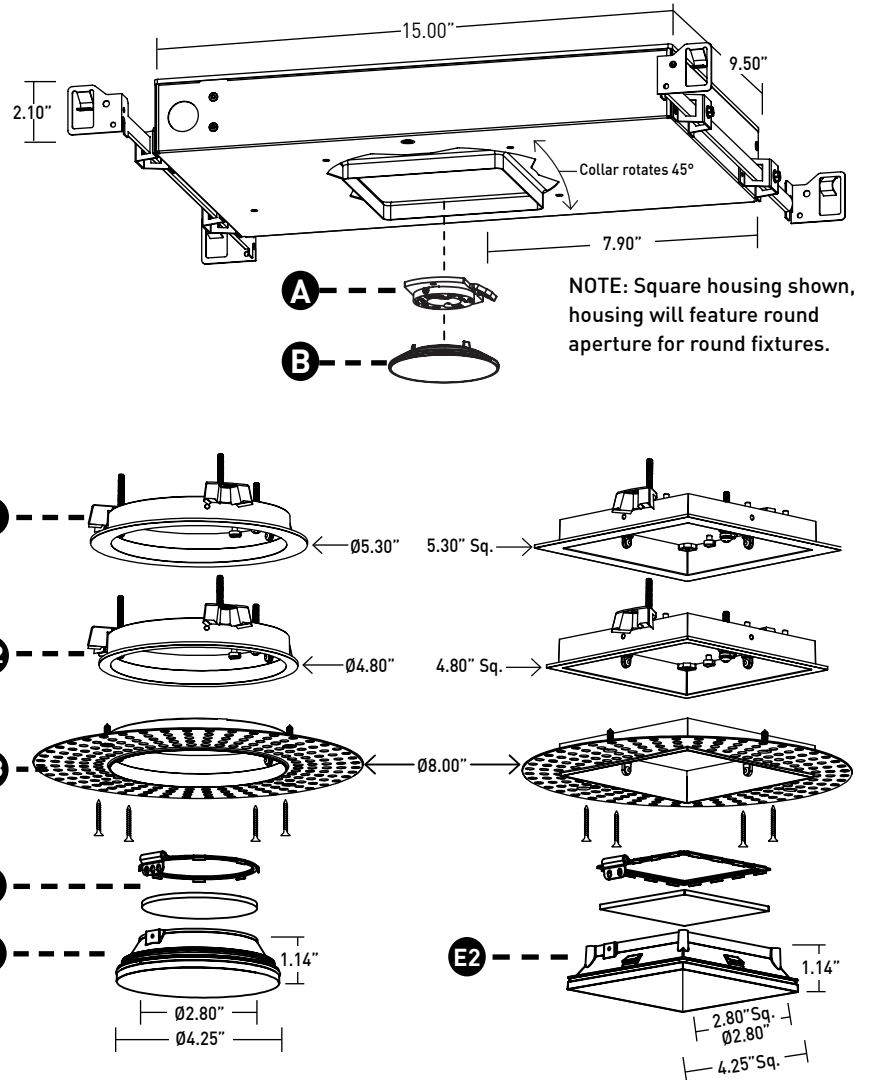


# FRAXION4SLIM FIXED

## DOWNLIGHT / HOUSING

- A LED**  
Integral LED module design enables field service / replacement through housing aperture.
- B OPTIC**  
Robust light engine with optimized optic pairing integrates Reflection, Refraction and TIR offering 10°, 15°, 20°, 25°, 40° & 60° beams.
- C1 STANDARD FLANGE PROFILE**  
Installed after ceiling is complete. Requires 4.625" (117mm) diameter cutout. Provides 0.86" (22mm) total contractor (goof) allowance with 0.50" (13mm) flange. Thickness measures 0.06" (1.5mm). Wet location features integral silicone gasket.
- C2 MICROFLANGE PROFILE**  
Installed after ceiling is complete. Requires 4.625" (117mm) diameter cutout. Provides 0.42" (11mm) total contractor (goof) allowance with 0.28" (7mm) flange. Thickness measures 0.06" (1.5mm). Wet location features integral silicone gasket.
- C3 TRIMLESS PROFILE**  
Installs totally flush with the ceiling with no visible trim. Appliqué includes screws for mounting and has 0.06" (1.5mm) plaster stop. Not recommended for stucco applications.
- D MEDIA**  
Soft focus lens included and sealed in Wet location option. Fixture is limited to 1 lens. Suction tool provided for removal of wet location baffles.
- E1 ROUND BAFFLE**  
Die-cast removable baffle features 72° cutoff. Minimizes aperture glare and conceals view into housing; includes silicone gasket.
- E2 SQUARE / TRANSITIONAL BAFFLE**  
Die-cast removable baffle features 72° cutoff. Minimizes aperture glare and conceals view into housing; includes silicone gasket. Transitional baffle transitions from square aperture at ceiling plane to round aperture at light source.

## DIMENSIONS / DRAWINGS

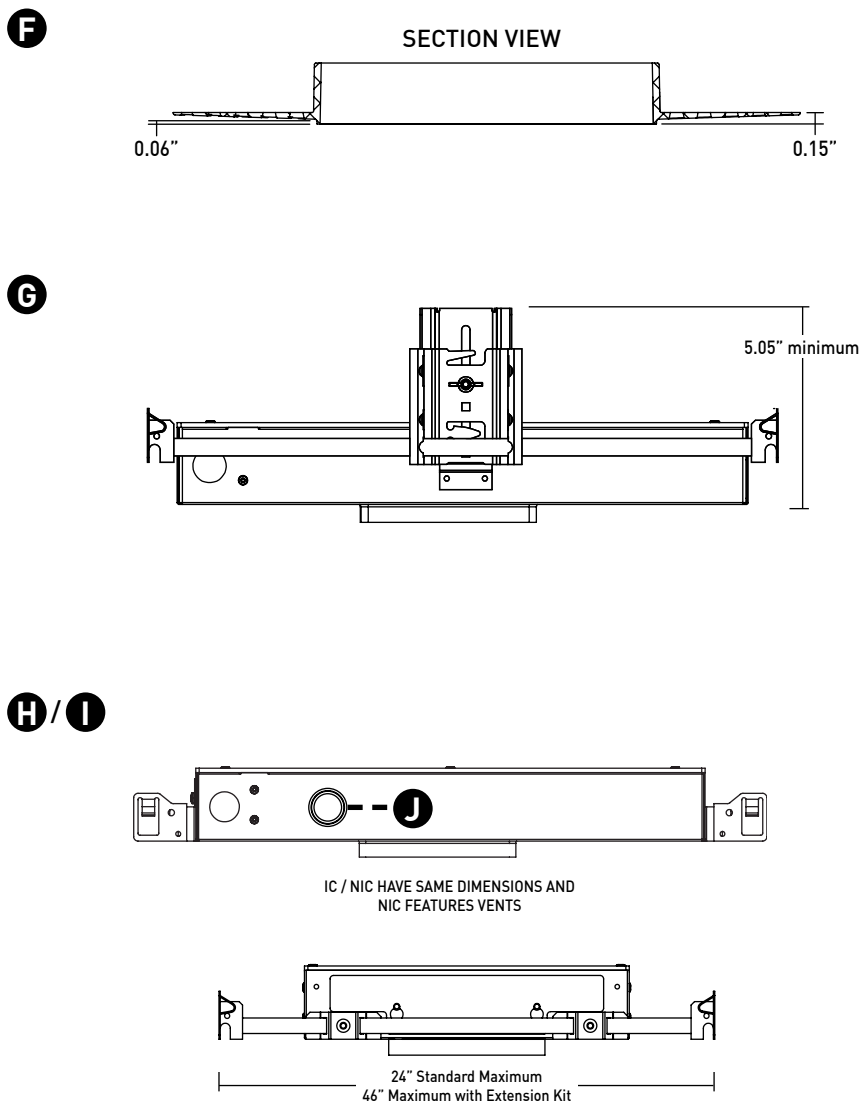


# FRAXION4SLIM FIXED

## DOWNLIGHT / HOUSING

- F TRIMLESS APPLIQUÉ DETAIL**  
Integrated appliqué for plaster floating directly to baffle.
- G TG BRACKET ASSEMBLY**  
Adjustable height bracket assembly provided with ceiling thickness "T" and recommended for installations in T-Grid and with furring channel. Hanger bars are installed to adjustable bracket. Allows housing to be raised and lowered; ceiling thickness remains 0.5" to 1.0" max.
- H IC HOUSING**
  - For IC ceilings.
  - CCEA, Airtight and Title 24 (JA8) listed.
  - Accommodates max 2271 delivered lumens.
  - No setback from polycell spray foam insulation having max R-Value of 60 on all sides and top of housing.
- I NIC HOUSING**
  - Minimum 0.50" setback from combustible and non-combustible materials on all sides and top of housing.
  - Minimum 3.00" setback from insulation material having max R-Value 30 on all sides and top of housing.
  - Minimum 6.00" setback from polycell spray foam insulation having max R-Value 60.
- J ATHENA / CASAMBI CONTROL**  
Controls integrated into housing assembly. All equipment is serviceable.  
  
Athena Model Numbers: A-WN-D01-RF-BL & DFC-OEM-DBI  
  
Casambi Model Number: BT-S1E1-5400

## DIMENSIONS / DRAWINGS



## HOUSING NOTES

- Do not install in environments where ambient temperatures exceed 40°C (104°F).
- Power supply compartment and all splice connections may be serviced from room side.
- Consult factory for spacing requirements for any installations exceeding R-Value 60.
- Hanger bars fitted to short side of housing, and long side of Low Flux housings; extend from 14.0" to 24.0", but may be field cut to accommodate narrow stud spacing. Can be extended up to 46" maximum with FRX-HBE-46 kit.
- Hanger bars and brackets add 4.00" to the overall dimension, but are excluded from the setback requirements.
- Housings for round trims feature a round aperture housing collar, and for square trims, a square housing collar, accommodating ceiling thicknesses between 0.50" and 1.00".

# FRAXION4 SLIM FIXED

## REMOTE POWER SUPPLY

- K REMOTE POWER SUPPLY**
- Provided with install Types "V", "W" and "D".
  - Requires plenum rated Class 2 cable between fixture and remote driver. Cable supplied by others.
  - See page 8 for maximum allowable wiring distance.
  - Must be installed in an accessible location
  - Do not install in environments where ambient temperatures exceed 40°C (104°F).

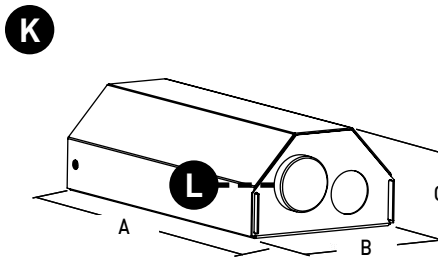
- L ATHENA / CASAMBI CONTROL**
- Controls integrated into remote driver assembly. All equipment is serviceable.

Athena Model Numbers: A-WN-D01-RF-BL & DFC-OEM-DBI

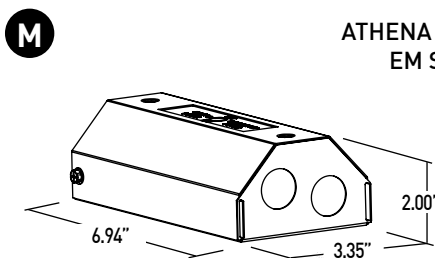
Casambi Model Number: BT-S1E1-5400

- M ATHENA / CASAMBI EM SHUNT**
- Included with drivers specified as ASR, ATR, CSR, or CTR. One required for each wireless EM fixture, requires class 2 control wiring between fixture and shunt. Features integrated test switch.

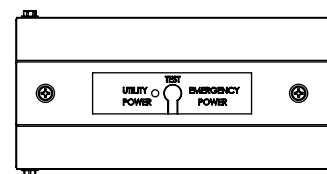
Model Number: PS-RMT-SHUNT



	A	B	C
<30W STATIC WHITE / WARM DIM	6.94"	3.35"	2.00"
30W STATIC WHITE	8.10"	5.00"	2.00"
TUNABLE WHITE	8.10"	5.00"	2.00"
ATHENA / CASAMBI CONTROLLED	8.10"	5.00"	2.00"



ATHENA / CASAMBI EM SHUNT



# FRAXION4 SLIM FIXED

## TECHNICAL

### CONSTRUCTION

**Downlight:** Painted finishes are granulated powder coat.

**Housing:** Aluminum and 22 Gauge galvanized steel. Extruded aluminum housing panel to act as heat-sink.

**Remote Power Supply:** 22 Gauge galvanized steel.

**Appliqué:** Zinc Alloy

### STATIC WHITE LED

2-step MacAdam ellipse LED module available in 80+, 90+ and 97+ CRI configurations in color temperatures of 2700K, 3000K, 3500K and 4000K. 3-step MacAdam ellipse LED module available in 90+ CRI configuration in color temperature of 2400K. Average rated lamp life of 50,000 hours. LED and driver assemblies are field-replaceable.

### WARM DIM LED

3-step MacAdam ellipse warm dim LED module available in 90+ CRI configuration. 3000K or 2700K at full brightness, warming to 1800K at full dim. Average rated lamp life of 50,000 hours. LED and driver assemblies are field-replaceable.

### TUNABLE WHITE LED

3-step MacAdam ellipse tunable white LED module available in 90+ CRI configuration. Features tuning ranges of 1800K to 4000K and 2700K to 5000K. Average rated lamp life of 50,000 hours. LED and driver assemblies are field-replaceable.

### POWER SUPPLY PERFORMANCE AND DIMMING INFORMATION

Power Supply	ELV		ECO		0-10V						DALI-2			ATHENA		CASAMBI	
	TR2	L23	LH1	LP1	AN4	LN2	EA2	LA2	DL1	DG1	ED1	LD1	DD1	AS	AD	CS	CD
Minimum °C	-20 °C	0 °C	0 °C	0 °C	-20 °C	-20 °C	-20 °C	-20 °C	-20 °C	-20 °C	-20 °C	-20 °C	-20 °C	0 °C	0 °C	-20 °C	-20 °C
Maximum °C	40 °C	40 °C	40 °C	40 °C	40 °C	40 °C	40 °C	40 °C	40 °C	40 °C	40 °C	40 °C	40 °C	40 °C	40 °C	40 °C	40 °C
Dimming %	2.0%	1.0%	1.0%	0.1%	1.0%	1.0%	0.1%	0.1%	0.1%	0.1%	0.1%	0.1%	0.1%	0.1%	0.1%	0.1%	0.1%

Note: For TR2, L23, LH1, LP1, AN4, EA2 and LA2 drivers consult chart on page 9 to confirm appropriate dimming curve for compatibility with selected control.

### MAXIMUM ALLOWABLE REMOTE DRIVER WIRING DISTANCES

DRIVER	WIRE AWG				
	12	14	16	18	20
TR2, AN4, LN2	285'	180'	113'	71'	45'
L23, LH1, LP1	60'	40'	25'	15'	-
EA2, LA2, ED1, LD1, DG1, DL1, DD1, AS, AD, CS, CD	-	-	118'	72'	46'

### LISTING

cTUVus listed to UL1598 standard for Dry / Damp and Wet locations.

CCEA CCEA, Airtight and Title 24 JA8-2022 Listed.

NEMA 410 Compliant.

U.S. Patent: 10,317,066

### BUY AMERICAN ACT

All Fraxion4 Slim Fixed configurations are Buy American Act compliant.

### DECLARE

LBC Red List Approved.

### WEIGHT

Fixture - 6.4 lbs max

Remote Driver - 1.4 lbs

### LIMITED WARRANTY

Manufacturer's Limited Warranty guarantees product(s) listed to be free from defects in material and workmanship under normal use and service for 1-year. LED and power supplies are warranted to operate with 70% of original flux and remain within a range of 3 duv for a period of 5-years. 10-year Lutron Advantage limited warranty available on Lutron equipped systems. Warranty period begins from the date of shipment by Seller.

Consult website for full warranty terms and conditions.

### CHANGE LOG

1. 10/17/2022: REMOVED 90W13A 3200K-1800K WARM DIM AND ADDED 90W12A 3000K-1800K WARM DIM.

2. 04/26/2023: ADDED DECLARE LBC RED LIST APPROVED.

3. 08/08/2023: ADDED NEW LED AND OPTIC SYSTEM.

4. 02/08/2024: ADDED ATHENA AND CASAMBI CONTROL OFFERING, 2400K, AND WARM PROFILE TUNABLE WHITE.



**Declare.**



# FRAXION4 SLIM FIXED

## DIMMING COMPATIBILITY

### PHILIPS DRIVER COMPATIBILITY

Power supply <b>TR2</b> Manufacturer	Family/Model #
Lutron Electronics	DV-600P
Lutron Electronics	DVELV-303P
Lutron Electronics	NTELV-600
Lutron Electronics	MAELV-600
Lutron Electronics	SELV-300P
Lutron Electronics	DVLV-600P
Lutron Electronics	NFTU-5A
Lutron Electronics	CTCL-153P
Lutron Electronics	GL-600H
Lutron Electronics	S-600P
Lutron Electronics	PHPM
Power supply <b>AN4</b> Manufacturer	Family/Model #
Lutron Electronics	DVTV plus PP-DV
Lutron Electronics	DVSCTV plus PP-DV
Lutron Electronics	DVSTV
Lutron Electronics	DVSCSTV
Lutron Electronics	QSGRJ-XP plus GRX-TVI
Lutron Electronics	QSGRJ-XE plus GRX-TVI
Lutron Electronics	QSGR-XE plus GRX-TVI
Lutron Electronics	NFTV plus PP-DV
Lutron Electronics	NTSTV
Lutron Electronics	RMJ-5T
Lutron Electronics	RMJS-8T
Lutron Electronics	FCJS-010
Leviton	IlumaTch IP7 series
Philips	Sunrise - SR1200ZTUNV

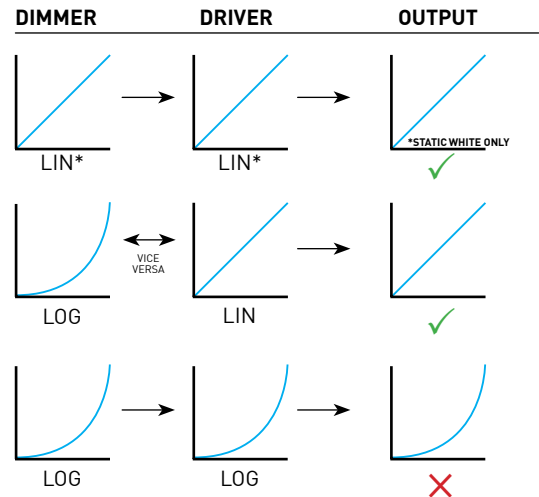
### LUTRON DRIVER COMPATIBILITY

Power supply <b>L23</b> Lutron Product Family	Part No.
Maestro WirelessR 600 W dimmer	MRF2-6ND-120-
Maestro WirelessR 1000 W dimmer	MRF2-10ND-120-
Caséta® Wireless Pro 1000 W dimmer	PD-10NXD-
GRAFIK T™ CL® dimmer	GT-250M-GTJ-250M-
HomeWorks® QS adaptive dimmer	HQRD-6NA-
HomeWorks® QS 600 W dimmer	HQRD-6ND-
HomeWorks® QS 1000 W dimmer	HQRD-10ND-
RadioRA® 2 adaptive dimmer	RRD-6NA-
RadioRA® 2 1000 W dimmer	RRD-10ND
myRoom™ DIN power module	MQSE-4A1-D
HomeWorks® QS DIN power module	LQSE-4A1-D
HomeWorks® QS wallbox power module	HQRJ-WPM-6D-120
HomeWorks® wallbox power module	HWI-WPM-6D-120
GRAFIK Eye® QS control unit	QSGR-, QSGRJ-
GRAFIK Eye® 3000 control unit	GRX-3100-GRX-3500-
RPM-4U module (LCP, HomeWorks® QS, GRAFIK Systems™, Quantum®)	HW-RPM-4U-120 LP-RPM-4U-120
RPM-4A module (LCP, HomeWorks® QS, GRAFIK Systems™, Quantum®)	HW-RPM-4A-120, LP-RPM-4A-120
GP dimming panels	Various
Ariadni CL 250W dimmer	AYCL-253P-
Diva CL 250W dimmer	DVCL-253P-DCSCCL-253P-
Nova T CL 250W dimmer	NTCL-250-
Power supply <b>LH1 &amp; LP1</b> Lutron Product Family	Part No.
PowPak Dimming Modules	RMJ-ECO32-DV-B
PowPak Dimming Modules	FCJ/FCJS-ECO
Energi Savr Nodes	QSN-1ECO-S
GRAFIK Eye QS control unit	QSN-2ECO-S
Homeworks QS control unit	QSGRJ- _E (wireless) QSGR- _E
Quantum Hub	QP2-__ 2C
Quantum Hub	QP2-__ 4C
Quantum Hub	QP2-__ 6C
Quantum Hub	QP2-__ 8C
Homeworks QS power module	LQSE-2ECO-D
myRoom Plus power module	

### eldoLED DRIVER COMPATIBILITY

Power supply <b>EA2</b> Manufacturer	Family/Model #
Busch-Jaeger	2112U-101
Jung	240-10
Leviton Lighting Controls	IP710-DLX
Lightolier Controls	ZP600FAM120
Merten	5729
Pass & Seymour	CD4FB-W
The Watt Stopper	DCLV1
Synergy	ISD BC
Crestron®	GLX-DIMFLV8
Crestron®	GLXP-DIMFLV8
Crestron®	GLPAC-DIMFLV4-*
Crestron®	GLPAC-DIMFLV8-*
Crestron®	GLPP-DIMFLVEX-PM
Crestron®	GLPP-1DIMFLV2EX-PM
Crestron®	GLPP-1DIMFLV3EX-PM
Crestron®	DIN-A08
Crestron®	DIN-4DIMFLV4
Crestron®	CLS-EXP-DIMFLV
Crestron®	CLCI-1DIMFLV2EX
Power supply <b>LA2</b> Manufacturer	Family/Model #
Lutron Electronics	Nova T® - NTFTV
Lutron Electronics	Diva® - DVTV
Lutron Electronics	Nova® - NFTV
Lutron Electronics	GrafixEye® GRX-TVI w GRX3503
Lutron Electronics	Energy Savr Node™ - QSN-4T16-S
Lutron Electronics	TVM2 Module
Sensor Switch	nIO EZ
ABB	SD/S 2.16.1

## ANALOG DRIVERS AND DIMMERS



LIN = LINEAR  
 LOG = LOGARITHMIC  
 \*LIN-TO-LIN NOT COMPATIBLE FOR WARM-DIM OR TUNABLE WHITE

