



## ACCESSORIES

### ROUND / TRANSITIONAL DEEP REGRESS ALTERNATE MEDIA

IP20 Dry / Damp location only.  
IP64 Wet location requires alternate baffle.

- CGL-F3R-2** Clear Glass Lens\*  
\*(Not available for Warm Dim)
- FGL-F3R-2** Frosted Glass Lens
- SFL-F3R-2** Soft Focus Lens
- FSFL-F3R-2** Frosted Soft Focus Lens
- WDL-F3R-2** Wide Distribution Lens\*  
\*(Required and only available for 85° beam spread)
- FLSL-F3R-2** Frosted Linear Spread Lens

### SQUARE DEEP REGRESS MEDIA

IP20 Dry / Damp location only.  
IP64 Wet location requires alternate baffle.

- CGL-F4S-2** Clear Glass Lens\*  
\*(Not available for Warm Dim)
- FGL-F4S-2** Frosted Glass Lens
- SFL-F4S-2** Soft Focus Lens
- FSFL-F4S-2** Frosted Soft Focus Lens
- WDL-F4S-2** Wide Distribution Lens\*  
\*(Required and only available for 85° beam spread)
- FLSL-F4S-2** Frosted Linear Spread Lens

## REPLACEMENT BAFFLE ASSEMBLY (INCLUDES MEDIA)

ASSEMBLY	SHAPE	TYPE	RATING	FINISH	MEDIA
<b>RBA</b>					
REPLACEMENT BAFFLE ASSEMBLY	F3RD Round Deep Regress F3SD Square Deep Regress F3TD Square Transitional Deep Regress	A Adjustable F Fixed	1 IP20 Dry/Damp 2 IP64 Wet* *(Requires provided suction cup to service or aim & focus)	WH White AG Satin Silver AU Cashmere Gold BB Burnt Bronze BK Black PR Primer CF Custom Finish * *(Consult Factory)	04 Soft Focus Lens 01 Honeycomb Louver* *(Not available for IP64 Wet Location, adjustable fittings, or Warm Dim) 02 Clear Glass Lens* *(Not available for Warm Dim) 03 Frosted Glass Lens 05 Frosted Soft Focus Lens 06 Frosted Linear Spread Lens 07 Wide Distribution Lens* *(Required and only available for 85° optic) NL No Lens* *(Standard with 10° optic. Not available for IP64 Wet Location, or Warm Dim)

## DEEP REGRESS REPLACEMENT OPTICS

Interchangeable optics accessible through fixture aperture.

### STATIC WHITE

- RO-35-15-S** 15° optic
- RO-35-25-S** 25° optic
- RO-35-40-S** 35° optic
- RO-35-60-S** 50° optic

### WARM DIM

- RO-35-25-W** 25° optic
- RO-35-35-W** 35° optic
- RO-35-50-W** 50° optic

### TUNABLE WHITE

- RO-35-15-T** 15° optic
- RO-35-25-T** 25° optic
- RO-35-35-T** 35° optic
- RO-35-50-T** 50° optic

## REPLACEMENT SUCTION TOOL

One included with every six fixtures designated Wet location.

- F4-TOOL-SUCTION** Allows for removal of baffle with Wet location



LUMEN PACKAGE	WATT-AGE	10° OPTIC NO SOFT FOCUS LENS		15° OPTIC SOFT FOCUS LENS		25° OPTIC SOFT FOCUS LENS		35° OPTIC SOFT FOCUS LENS		50° OPTIC SOFT FOCUS LENS		80° OPTIC SOFT FOCUS LENS	
		DLVD	LPW	DLVD	LPW	DLVD	LPW	DLVD	LPW	DLVD	LPW	DLVD	LPW
80S06A	06	-	-	613	102	594	99	560	93	630	105	479	80
80S11A	11	-	-	986	90	955	87	900	82	1013	92	771	70
80S15A / C	15	539	49	1333	89	1291	86	1216	81	1369	91	1042	69
80S21A	21	-	-	1799	86	1743	83	1642	78	1848	88	1406	67
90S06A	06	-	-	527	88	510	85	481	80	541	90	412	69
90S11A	11	-	-	847	77	821	75	773	70	870	79	662	60
90S15A / C	15	463	31	1145	80	1109	77	1045	73	1176	82	895	63
90S21A	21	-	-	1546	74	1497	71	1411	67	1588	76	1208	58
97S06A	06	-	-	462	77	448	75	422	70	475	79	378	63
97S11A	11	-	-	744	68	721	66	679	62	764	69	608	55
97S15A / C	15	399	27	1005	67	974	65	918	61	1033	69	821	55
97S21A	21	-	-	1357	65	1314	63	1239	59	1394	66	1109	53
90W10A (27K-18K)	10	-	-	-	-	563	51	531	48	597	54	475	43
90W10A (30K-18K)	10	-	-	-	-	570	52	537	49	605	55	481	44
90W15A (27K-18K)	15	-	-	-	-	787	52	742	49	835	56	664	44
90W15A (30K-18K)	15	-	-	-	-	798	53	752	50	847	56	673	45
90T17A (50K-27K)	17	-	-	976	57	945	56	890	52	1002	59	797	47
90T17A (40K-18K)	17	-	-	979	58	948	56	893	53	1005	59	800	47

UNIFIED GLARE RATING

10° OPTIC NO LENS	15° OPTIC SOFT FOCUS LENS	20° OPTIC SOFT FOCUS LENS	35° OPTIC SOFT FOCUS LENS	50° OPTIC SOFT FOCUS LENS	80° OPTIC WIDE DISTRIBUTION
<13	<16	<13	<16	<13	>19

OUTPUT MULTIPLIER

CCT	CCT SCALE
2400K	0.85
2700K	0.97
3000K	1.00
3500K	1.03
4000K	1.08

TUNABLE WHITE MULTIPLIER

CCT	5000K-2700K	4000K-1800K
5000K	1.16	-
4000K	1.08	1.14
3500K	1.04	1.07
3000K	1.00	1.00
2700K	0.96	0.92
2400K	-	0.84
1800K	-	0.69

MEDIA LIGHT LOSS FACTOR

MEDIA	LIGHT LOSS FACTOR
NO LENS	1.06
CGL	1.00
SFL	1.00
FGL	0.89
FSFL	0.81
FLSL	0.82

## WARM DIM PERFORMANCE - 50° OPTIC - SOFT FOCUS LENS

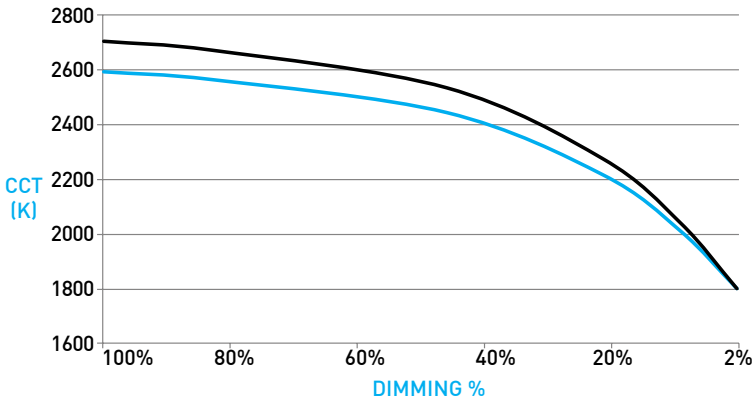
INCANDESCENT PROFILE

90W10AL 2700K - 1800K	Full on 100%	Dimmed to 80%	Dimmed to 70%	Dimmed to 50%	Dimmed to 20%	Dimmed to 10%	Dimmed to 2%
CCT (K)	2600	2550	2520	2450	2200	1925	1800
Light Output (Lm)	597	477	417	298	119	59	12
Power (W)	10	8	7	5	2	1	.2
Efficacy (LPW)	54	54	54	54	54	54	54
90W15AL 2700K - 1800K	Full on 100%	Dimmed to 80%	Dimmed to 70%	Dimmed to 50%	Dimmed to 20%	Dimmed to 10%	Dimmed to 2%
CCT (K)	2700	2650	2620	2520	2180	1950	1800
Light Output (Lm)	835	668	584	417	167	83	16
Power (W)	15	12	10.5	7.5	3	1.5	0.3
Efficacy (LPW)	56	56	56	56	56	56	56

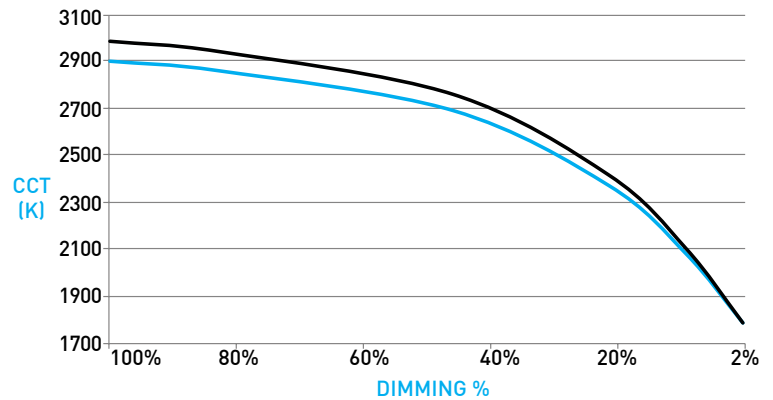
HALOGEN PROFILE

90W10AD 3000K - 1800K	Full on 100%	Dimmed to 80%	Dimmed to 70%	Dimmed to 50%	Dimmed to 20%	Dimmed to 10%	Dimmed to 2%
CCT (K)	2900	2850	2800	2720	2350	1975	1800
Light Output (Lm)	605	483	423	302	121	60	12
Power (W)	10	8	7	5	2	1	.2
Efficacy (LPW)	55	55	55	55	55	55	55
90W15AD 3000K - 1800K	Full on 100%	Dimmed to 80%	Dimmed to 70%	Dimmed to 50%	Dimmed to 20%	Dimmed to 10%	Dimmed to 2%
CCT (K)	3000	2950	2920	2775	2375	2000	1800
Light Output (Lm)	847	677	592	423	169	84	17
Power (W)	15	12	10.5	7.5	3	1.5	0.3
Efficacy (LPW)	56	56	56	56	56	56	56

10W / 15W



10W / 15W



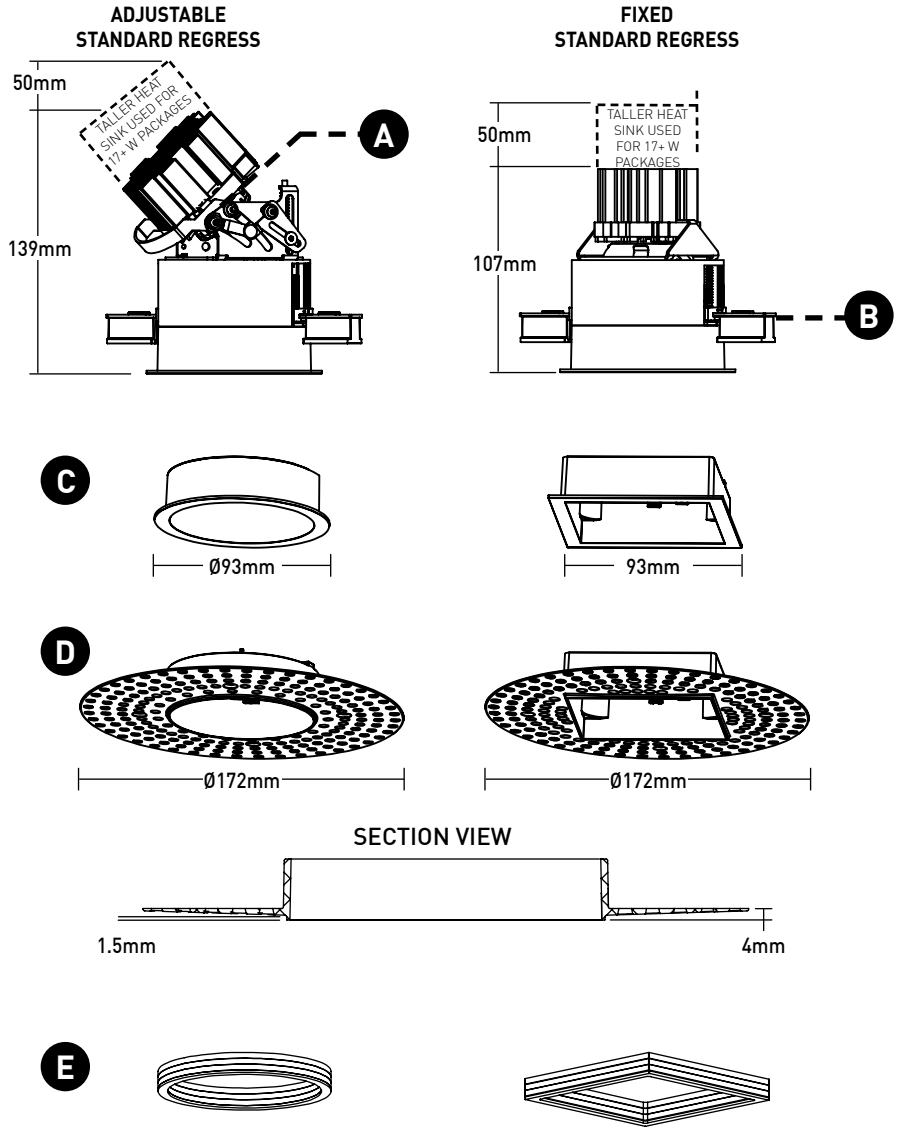
## DRIVE CURRENT SPECIFICS

	80S					90S					97S					90W		90T
	06A	11A	15A / C	21A	30B	06A	11A	15A / C	21A	30B	06A	11A	15A / C	21A	30B	10A	15A	17A
Minimum Vf	30.5	30.5	30.5	30.5	30.5	30.5	30.5	30.5	30.5	30.5	30.5	30.5	30.5	30.5	30.5	30.5	30.5	30.5
Maximum Vf	37	37	37	37	37	37	37	37	37	37	37	37	37	37	37	37	37	37
Current mA	150	250	350	500	700	150	250	350	500	700	150	250	350	500	700	250	350	400
Wattage W	8.2	8.2	11.8	17.4	25.4	8.2	8.2	11.8	17.4	25.4	8.2	8.2	11.8	17.4	25.4	8.2	11.8	13.6

## DOWNLIGHT FITTING

- A ADJUSTABILITY**  
Hot-aim tilt up to 40° and 361° rotation with 5° tilt increment indicators. Sliding pivot point optimizes center beam, ensuring unclipped beam of 15° at 40° tilt and 25° at 30° tilt.
- B RETENTION**  
Integrated metal arm clamps located within fixture body allow discreet flange design, while accommodating varying ceiling thicknesses from 7mm to 32mm. Snap-on spacer clips (2X) supplied for ceiling thickness below 13mm only.
- C MICROFLANGE PROFILE**  
Provides industry standard 11mm total contractor (goof) allowance with 7mm flange. Thickness measures 1.5mm. IP64 Wet location features integral silicone gasket.
- D TRIMLESS GYPSUM PROFILE**  
Installs totally flush with the ceiling with no visible trim. Features integrated appliqué for plaster floating directly to the baffle. Not recommended for stucco applications.
- E TRIMLESS MILLWORK PROFILE / SPACERS**  
Provided for Trimless Millwork installations; includes (1) 1/16" spacer and (5) 1/8" spacers.

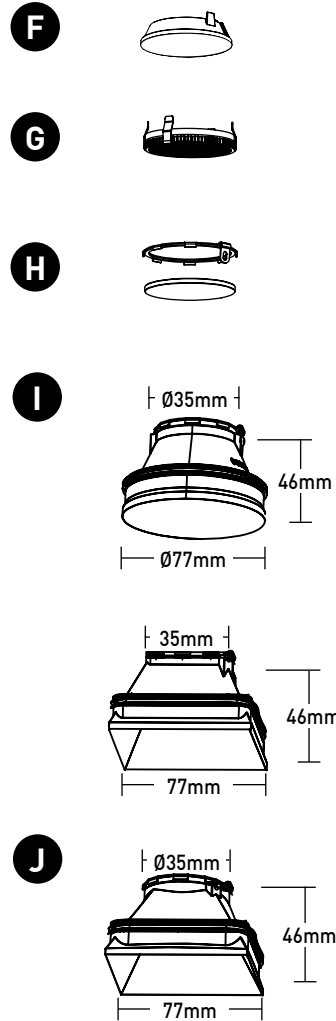
## DIMENSIONS / DRAWINGS



## DOWNLIGHT FITTING

- F OPTIC**  
Robust light engine with optimized optic pairing integrates Reflection, Refraction, and TIR offering 10°, 15°, 25°, 35 & 50° beams.
- G ADJUSTABLE HCL ASSEMBLY**  
Honeycomb Louver and Soft Focus Lens attach directly to optic with clip-on lens retainer and adjusts with fixture. Only compatible with no lens baffle. IP20 Dry/Damp locations only. Specified as -HS Effects Device
- H MEDIA / LENS RETAINER**  
ADJUSTABLE / FIXED: Fixture is limited to 1 effects device. IP64 Wet location effects device is sealed in place. Suction tool provided for removal of baffle with wet location. Lens retainer allows effects devices to be changed in IP20 Dry /Damp locations.
- I ROUND / SQUARE BAFFLE**  
Die-cast removable baffle provides easy access to tilting mechanism and features 40° glare cutoff. Minimizes aperture glare and conceals view into housing; includes gasket.
- J TRANSITIONAL BAFFLE**  
Die-cast removable baffle provides easy access to tilting mechanism and features 40° glare cutoff. Transitions from square aperture at ceiling plane to round aperture at light source. Minimizes aperture glare and conceals view into housing; includes gasket.

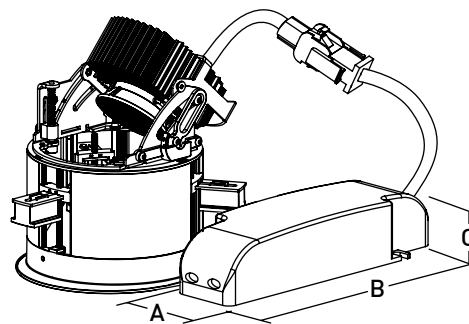
## DIMENSIONS / DRAWINGS



## CLEARANCE / POWER SUPPLY

- K FITTING WITH NON-IC TETHERED POWER SUPPLY**
  - Requires 86mm diameter cutout.
  - Tethered power supply protected wiring and quick-connect plug between fitting and power supply.
  - Minimum 19mm clearance from top of fitting.
  - Minimum setback from combustible and non-combustible materials of 168mm radius from fitting centerline; minimum 76mm from surfaces of power supply if not situated within above noted radius from fitting centerline.
  - Minimum additional 76mm setback from insulation material with max R-Value 30 from any surface of downlight fitting assembly.
  - Minimum additional 152mm setback from polycell spray foam insulation with max R-Value 60 from any surface of downlight fitting assembly.
  - Consult factory for spacing requirements for any installations exceeding R-Value 60.
  - Do not install in environments where ambient temperatures exceed 40°C (104°F).

**K**



POWER SUPPLY DIMENSIONS			
Model	A	B	C
IG			
IN			
EG	41mm	210mm	34mm
EN			
ED			
EX	76mm	152mm	30mm
DD	76mm	130mm	30mm

## TECHNICAL

### CONSTRUCTION

**Downlight Fitting:** Aluminum and steel. Extruded aluminum heat-sink. Painted finishes are granulated powder coat.

**Remote Power Supply:** 22 Gauge galvanized steel.

**Appliqué:** Zinc Alloy

### STATIC WHITE LED

2-step MacAdam ellipse LED module available in 80+, 90+ and 97+ CRI configurations in color temperatures of 2700K, 3000K, 3500K and 4000K. 3-step MacAdam ellipse LED module available in 90+ CRI configuration in color temperature of 2400K. Average rated lamp life of 50,000 hours. LED and driver assemblies are field-replaceable.

### WARM DIM LED

3-step MacAdam ellipse warm dim LED module available in 90+ CRI configuration. 3000K or 2700K at full brightness, warming to 1800K at full dim. Average rated lamp life of 50,000 hours. LED and driver assemblies are field-replaceable.

### TUNABLE WHITE LED

3-step MacAdam ellipse tunable white LED module available in 90+ CRI configuration. Features tuning ranges of 1800K to 4000K and 2700K to 5000K. Average rated lamp life of 50,000 hours. LED and driver assemblies are field-replaceable.

### POWER SUPPLY PERFORMANCE AND DIMMING INFORMATION

Power Supply	0-10V				DALI-2			DMX
	AN3	LN1	EA1	LA1	ED1	LD1	DD1	EX1
Minimum °C	-20 °C	-20 °C	-20 °C	-20 °C	-20 °C	-20 °C	-20 °C	-20 °C
Maximum °C	40 °C	40 °C	40 °C	40 °C	40 °C	40 °C	40 °C	40 °C
Dimming %	1.0%	1.0%	0.1%	0.1%	0.1%	0.1%	0.1%	0.1%

Note: For IG, IN, EG and EN drivers consult chart on page 8 to confirm appropriate dimming curve for compatibility with selected control.

### LISTING

To be CE listed for IP20 Dry / Damp and IP64 Wet locations. Patent Pending.

### PART L

Part L compliant for all 75+ LPW residential and 95+ LPW commercial configurations.

### WEIGHT

Fitting - 2.8 lbs max

Driver - 0.4 lbs

### LIMITED WARRANTY

Manufacturer's Limited Warranty guarantees product(s) listed to be free from defects in material and workmanship under normal use and service for 1-year. LED and power supplies are warranted to operate with 70% of original flux and remain within a range of 3 duv for a period of 5-years.

10-year Lutron Advantage limited warranty available on Lutron equipped systems. Warranty period begins from the date of shipment by Seller.

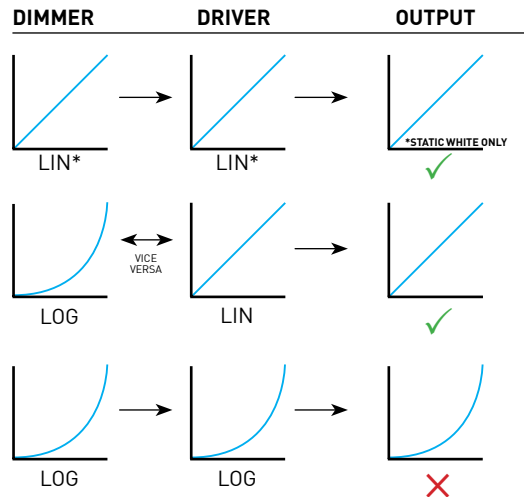
[Consult website for full warranty terms and conditions.](#)

## DIMMING COMPATIBILITY

### eldoLED DRIVER COMPATIBILITY

EG / EN / IG / IN Drivers Dimmer / Switch Control Manufacturer	Family/Model #
Busch-Jaeger	2112U-101
Jung	240-10
Leviton Lighting Controls	IP710-DLX
Lightolier Controls	ZP600FAM120
Lutron Electronics	Nova T@ - NTFTV
Lutron Electronics	Diva@ - DDTV
Lutron Electronics	Nova@ - NFTV
Merten	5729
Pass & Seymour	CD4FB-W
The Watt Stopper	DCLV1
Sensor Switch	nI0 EZ
Synergy	ISD BC
EG / EN / IG / IN Drivers Dimmer / Switch Control Manufacturer	Family/Model #
Lutron Electronics	GrafixEye® GRX-TVI w GRX3503
Lutron Electronics	Energy Savr Node™ - QSN-4T16-S
Lutron Electronics	TVM2 Module
Crestron®	GLX-DIMFLV8
Crestron®	GLXP-DIMFLV8
Crestron®	GLPAC-DIMFLV4-*
Crestron®	GLPAC-DIMFLV8-*
Crestron®	GLPP-DIMFLVEX-PM
Crestron®	GLPP-1DIMFLV2EX-PM
Crestron®	GLPP-1DIMFLV3EX-PM
Crestron®	DIN-A08
Crestron®	DIN-4DIMFLV4
Crestron®	CLS-EXP-DIMFLV
Crestron®	CLCI-1DIMFLV2EX
ABB	SD/S 2.16.1

### ANALOG DRIVERS AND DIMMERS



LIN = LINEAR  
 LOG = LOGARITHMIC  
 \*LIN-TO-LIN NOT COMPATIBLE FOR WARM-DIM OR TUNABLE WHITE