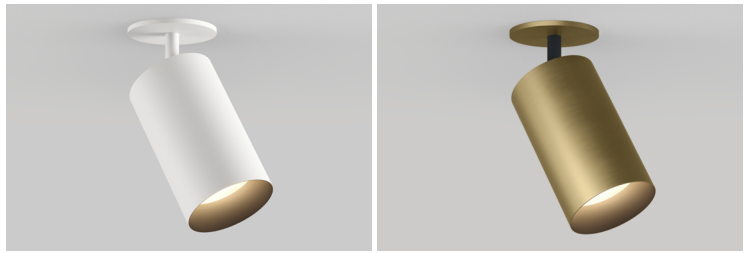


MONOPOINT INTERNATIONAL CM2 SURFACE MOUNT

Elegant design means this monopoint does more. An inventive elbow built into the fixture body that allows a full 90 degree tilt and drop lengths of up to 1' extend adjustability.

| | |
|---------------|-------|
| PROJECT NAME: | TYPE: |
|---------------|-------|



ORDERING INFORMATION - MONOPOINT

| CYLINDER | LENGTH | FIXTURE | BODY FINISH | BAFFLE FINISH | STEM FINISH | CRI / WATTAGE PACKAGE | CCT | OPTIC (UGR) | DRIVER | MEDIA | MOUNTING |
|------------|--|--|---|--|--|---|---|--|--|---|--|
| CM2 | | | | | | | | | | | E |
| CM2 83mm | LENGTHS SL 1.4" Standard 06 6" 12 12" CUSTOM LENGTHS XX Specify in 1" increments between 2"-11" (Ex. 4" = 04)* *(Increased lead time) STEMS ARE NOT FIELD CUTTABLE | ADJUSTABLE DRY / DAMP AD1 Adjustable 90° Tilt FIXED TILT WET (IP65) F02 Fixed 0° No Tilt* F12 Fixed 15° Tilt* F32 Fixed 30° Tilt* F42 Fixed 45° Tilt* *FIXED TILT IS SET AS SPECIFIED, CANNOT BE CHANGED IN THE FIELD | POWDERCOAT WH White BK Black AB Architectural Bronze AG Satin Silver AU Cashmere Gold BB Burnt Bronze CF Custom Finish* *(Consult Factory) ALUMINA INTERIOR APPLICATIONS ONLY 01 Brushed Obsidian 02 Matte Obsidian 03 Brushed Dark Patinated Bronze 04 Matte Dark Patinated Bronze 05 Brushed Aged Aluminum 06 Matte Aged Aluminum 07 Brushed Cast Brass 08 Matte Cast Brass 09 Brushed Light Patinated Bronze 10 Matte Light Patinated Bronze ALUMINA NOT RECOMMENDED FOR EXTERIOR APPLICATIONS, FINISHES ARE NOT WATERTIGHT | POWDERCOAT WH White BK Black AB Architectural Bronze AG Satin Silver AU Cashmere Gold BB Burnt Bronze CF Custom Finish* *(Consult Factory) ALUMINA CONSULT FACTORY FOR ALUMINA FINISHES | POWDERCOAT WH White BK Black AB Architectural Bronze AG Satin Silver AU Cashmere Gold BB Burnt Bronze CF Custom Finish* *(Consult Factory) ALUMINA CONSULT FACTORY FOR ALUMINA FINISHES | STATIC WHITE 80S11A 80+ CRI, 11 Watts Lumens Delivered - 1216 80S17A 80+ CRI, 17 Watts Lumens Delivered - 1843 90S11A 90+ CRI, 11 Watts Lumens Delivered - 1045 90S17A 90+ CRI, 17 Watts Lumens Delivered - 1583 97S11A 97+ CRI, 11 Watts Lumens Delivered - 918 97S17A 97+ CRI, 17 Watts Lumens Delivered - 1390 REMOTE STATIC WHITE 80S28B 80+ CRI, 28 Watts Lumens Delivered - 2756 90S28B 90+ CRI, 28 Watts Lumens Delivered - 2368 97S28B 97+ CRI, 28 Watts Lumens Delivered - 2079 WARM DIM 90W18A 90+ CRI, 18 Watts Incandescent Profile Lumens Delivered - 1140 Halogen Profile Lumens Delivered - 1128 SEE PAGE 3 FOR WARM DIM PROFILE COMPARISON. REMOTE TUNABLE WHITE 90T28A 90+ CRI, 28W Cool Profile: 5000K - 2700K Lumens Delivered - 1977 Warm Profile: 4000K - 1800K Lumens Delivered. - 1995 LUMENS DELIVERED REFLECT 3000K PAIRED WITH 20° OPTIC AND SOFT FOCUS LENS. | 24 2400K* *(90+ CRI only) 27 2700K 30 3000K 35 3500K 40 4000K 27 2700K 30 3000K 35 3500K* *(Not available for 97+ CRI) 40 4000K WL 2700K - 1800K WD 3000K - 1800K TH 5000K - 2700K TR 4000K - 1800K | 10 10° (>19) 15 15° (<13) 20 20° (<10) 25 25° (<10) 40 40° (<10) 60 60° (<16) 15 15° (<13) 20 20° (<10) 25 25° (<10) 40 40° (<10) 60 60° (<16) 20 20° (<10) 25 25° (<10) 40 40° (<10) 60 60° (<13) 15 15° (<13) 20 20° (<13) 25 25° (<13) 40 40° (<13) 60 60° (<16) | INTEGRAL IE Electronic ELV / TRIAC 220V-240V REMOTE IG eldoLED, SOLOdrive 0.1% 0-10V, LOG 120V-277V IN eldoLED, SOLOdrive 0.1% 0-10V, LIN 120V-277V ID eldoLED, SOLOdrive 0.1% DALI-2, LOG 120V-277V REMOTE TUNABLE WHITE DD eldoLED, DUALdrive 0.1% DALI-2, LOG 120V-277V | STANDARD MEDIA 4 Soft Focus Lens* *(Required for 10° optic) ALTERNATE MEDIA 2 Honeycomb Louver* *(Not available for IP65 Wet Location or Warm Dim) 3 Clear Glass Lens* *(Not available for Warm Dim) 5 Frosted Glass Lens 6 Frosted Soft Focus Lens 7 Frosted Linear Spread Lens S Soft Focus Lens w/ Honeycomb Louver F Frosted Glass Lens w/ Honeycomb Louver N No Lens* *(Not available for IP65 Wet Location or Warm Dim) | E EXMP Export Mounting Plate. Features 83mm diameter canopy |

PART NUMBER NOTES

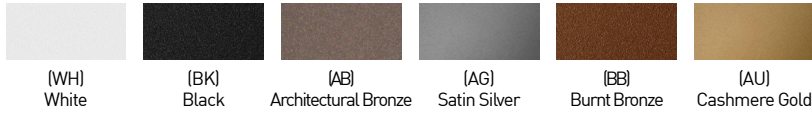
- CM2 ships as e.g., CM202AD1WHBKWH90S11*3040IE*4E
- Remote driver ships as e.g., PS-RMT-90S-28B-IG*



MONOPOINT INTERNATIONAL CM2 SURFACE MOUNT

FINISHES

POWDERCOAT FINISHES



ALUMINA FINISHES BY LUCIFER LIGHTING™



ACCESSORIES

REPLACEMENT MEDIA

HCL-CT2 Honeycomb Louver*
*(Not available for Warm Dim)

CGL-CT2 Clear Glass Lens*
*(Not available for Warm Dim)

SFL-CT2 Soft Focus Lens

FGL-CT2 Frosted Glass Lens

FSFL-CT2 Frosted Soft Focus Lens

FLSL-CT2 Frosted Linear Spread Lens

SECOND MEDIA GASKET

Replaces standard gasket when installing second media. Not required if two media are specified with fixture.

2EDG-CT2 Two Media Gasket

REPLACEMENT OPTICS

Interchangeable optics accessible by removing baffle.

| Static White | | Warm Dim | | Tunable White | |
|--|-----------|--|-----------|--|-----------|
| <input type="checkbox"/> RO-70-15-S | 15° optic | <input type="checkbox"/> RO-70-20-W | 20° optic | <input type="checkbox"/> RO-70-15-T | 15° optic |
| <input type="checkbox"/> RO-70-20-S | 20° optic | <input type="checkbox"/> RO-70-25-W | 25° optic | <input type="checkbox"/> RO-70-20-T | 20° optic |
| <input type="checkbox"/> RO-70-25-S | 25° optic | <input type="checkbox"/> RO-70-40-W | 40° optic | <input type="checkbox"/> RO-70-25-T | 25° optic |
| <input type="checkbox"/> RO-70-40-S | 40° optic | <input type="checkbox"/> RO-70-60-W | 60° optic | <input type="checkbox"/> RO-70-40-T | 40° optic |
| <input type="checkbox"/> RO-70-60-S | 60° optic | | | <input type="checkbox"/> RO-70-60-T | 60° optic |

MONOPOINT INTERNATIONAL CM2 SURFACE MOUNT

PERFORMANCE - 3000K

| LUMEN PACKAGE | WATTAGE | 10° OPTIC SOFT FOCUS LENS | | 15° OPTIC SOFT FOCUS LENS | | 20° OPTIC SOFT FOCUS LENS | | 25° OPTIC SOFT FOCUS LENS | | 40° OPTIC SOFT FOCUS LENS | | 60° OPTIC SOFT FOCUS LENS | |
|----------------------|---------|---------------------------|-----|---------------------------|-----|---------------------------|-----|---------------------------|-----|---------------------------|-----|---------------------------|-----|
| | | DELIVERED | LPW | DELIVERED | LPW | DELIVERED | LPW | DELIVERED | LPW | DELIVERED | LPW | DELIVERED | LPW |
| 80S11A | 11 | 613 | 55 | 1143 | 104 | 1216 | 111 | 1202 | 109 | 1124 | 102 | 949 | 86 |
| 80S17A | 17 | 828 | 49 | 1750 | 103 | 1843 | 108 | 1823 | 107 | 1690 | 99 | 1440 | 85 |
| 80S28B | 28 | - | - | 2571 | 92 | 2756 | 98 | 2694 | 96 | 2529 | 90 | 2072 | 74 |
| 90S11A | 11 | 528 | 48 | 982 | 89 | 1045 | 95 | 1033 | 94 | 966 | 88 | 815 | 74 |
| 90S17A | 17 | 714 | 42 | 1503 | 88 | 1583 | 91 | 1566 | 92 | 1452 | 85 | 1237 | 73 |
| 90S28B | 28 | - | - | 2209 | 79 | 2368 | 85 | 2314 | 83 | 2193 | 78 | 1780 | 64 |
| 97S11A | 11 | 456 | 41 | 862 | 78 | 918 | 83 | 907 | 82 | 848 | 77 | 716 | 65 |
| 97S17A | 17 | 616 | 36 | 1320 | 78 | 1390 | 82 | 1375 | 81 | 1275 | 75 | 1086 | 64 |
| 97S28B | 28 | - | - | 1939 | 69 | 2079 | 74 | 2032 | 73 | 1908 | 68 | 1563 | 56 |
| 90W18A (2700K-1800K) | 18 | - | - | - | - | 1140 | 63 | 1128 | 63 | 1044 | 58 | 915 | 51 |
| 90W18A (3000K-1800K) | 18 | - | - | - | - | 1128 | 63 | 1126 | 63 | 1063 | 59 | 926 | 51 |
| 90T28A (4000K-1800K) | 28 | - | - | 1972 | 70 | 1995 | 71 | 1971 | 70 | 1837 | 66 | 1655 | 59 |
| 90T28A (5000K-2700K) | 28 | - | - | 1954 | 70 | 1977 | 71 | 1953 | 70 | 1820 | 65 | 1640 | 59 |

Part L 75+ LPW configurations comply with residential Part L
95+ LPW configurations comply with commercial Part L

UNIFIED GLARE RATING

| 10° OPTIC SOFT FOCUS LENS | 15° OPTIC SOFT FOCUS LENS | 20° OPTIC SOFT FOCUS LENS | 25° OPTIC SOFT FOCUS LENS | 40° OPTIC SOFT FOCUS LENS | 60° OPTIC SOFT FOCUS LENS |
|---------------------------|---------------------------|---------------------------|---------------------------|---------------------------|---------------------------|
| >19 | <13 | <13 | <13 | <13 | <16 |

MEDIA LIGHT LOSS MULTIPLIER

| MEDIA | LIGHT LOSS FACTOR |
|------------|-------------------|
| No Lens | 1.05 |
| CGL | 0.97 |
| SFL | 1.00 |
| FGL | 0.85 |
| FSFL | 0.82 |
| FLSL | 0.78 |
| HCL | 0.75 |
| SFL W/ HCL | 0.68 |
| FGL W/ HCL | 0.47 |

OUTPUT MULTIPLIER

| CCT | CCT SCALE |
|-------|-----------|
| 2400K | 0.85 |
| 2700K | 0.97 |
| 3000K | 1.00 |
| 3500K | 1.03 |
| 4000K | 1.08 |

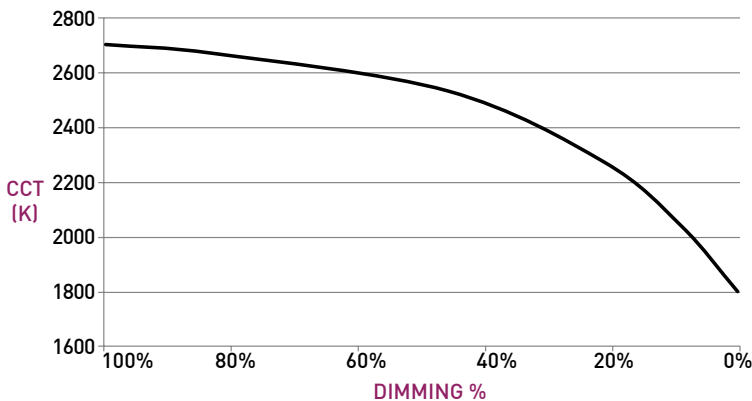
TUNABLE WHITE MULTIPLIER

| CCT | 5000K-2700K | 4000K-1800K |
|-------|-------------|-------------|
| 5000K | 1.16 | - |
| 4000K | 1.08 | 1.14 |
| 3500K | 1.04 | 1.07 |
| 3000K | 1.00 | 1.00 |
| 2700K | 0.96 | 0.92 |
| 2400K | - | 0.84 |
| 1800K | - | 0.69 |

WARM DIM PERFORMANCE - SOFT FOCUS LENS - 20° OPTIC

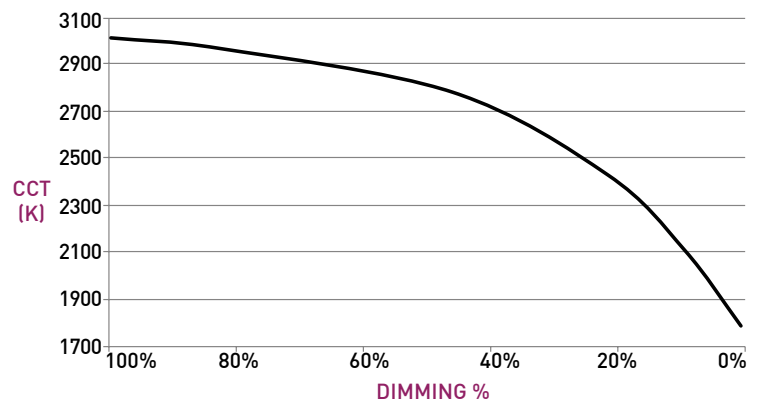
INCANDESCENT DIMMING PROFILE

| 90W18AL 2700K - 1800K | Full on 100% | Dimmed to 80% | Dimmed to 70% | Dimmed to 50% | Dimmed to 20% | Dimmed to 10% | Dimmed to 2% |
|-----------------------|--------------|---------------|---------------|---------------|---------------|---------------|--------------|
| CCT (K) | 2700 | 2650 | 2620 | 2520 | 2180 | 1950 | 1800 |
| Light Output (Lm) | 1128 | 902 | 790 | 564 | 226 | 113 | 23 |
| Power (W) | 18 | 14.4 | 12.6 | 9 | 3.6 | 1.8 | 0.36 |
| Efficacy (LPW) | 63 | 63 | 63 | 63 | 63 | 63 | 63 |



HALOGEN WARM DIM PROFILE

| 90W18AD 3000K - 1800K | Full on 100% | Dimmed to 80% | Dimmed to 70% | Dimmed to 50% | Dimmed to 20% | Dimmed to 10% | Dimmed to 2% |
|-----------------------|--------------|---------------|---------------|---------------|---------------|---------------|--------------|
| CCT (K) | 3000 | 2950 | 2920 | 2775 | 2375 | 2000 | 1800 |
| Light Output (Lm) | 1140 | 912 | 798 | 570 | 228 | 114 | 23 |
| Power (W) | 18 | 14.4 | 12.6 | 9 | 3.6 | 1.8 | 0.36 |
| Efficacy (LPW) | 62 | 62 | 62 | 62 | 62 | 62 | 62 |



MONOPOINT INTERNATIONAL CM2 SURFACE MOUNT

MONOPOINT

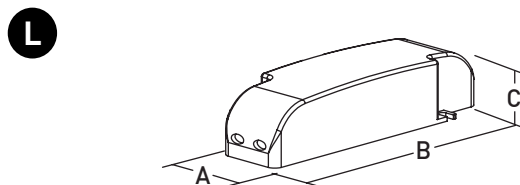
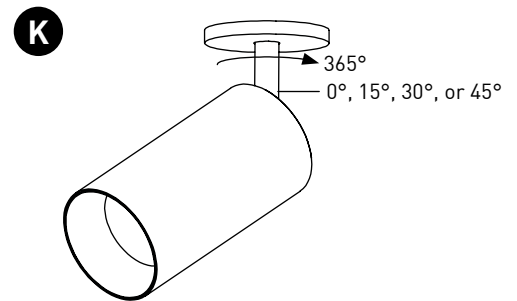
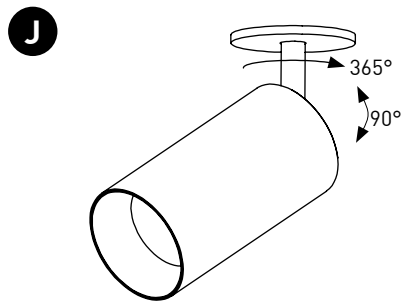
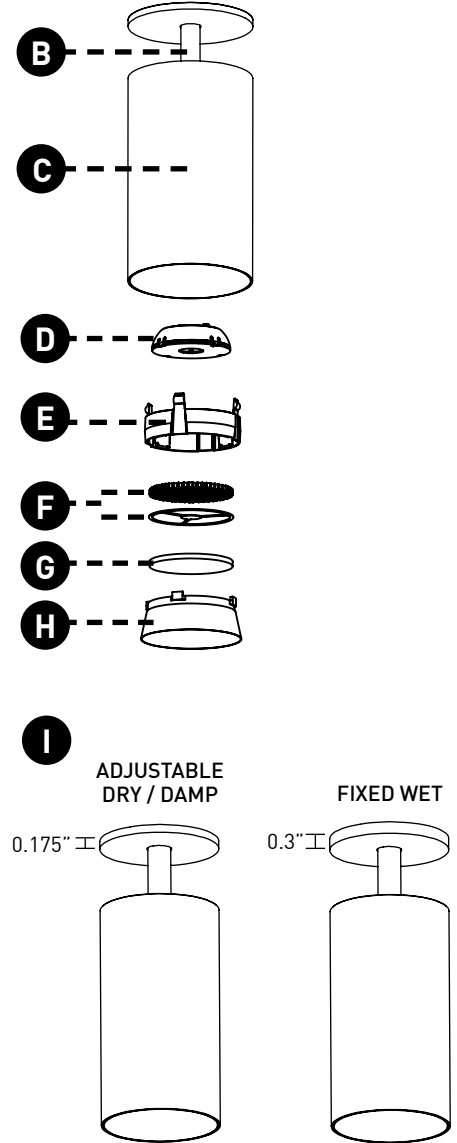
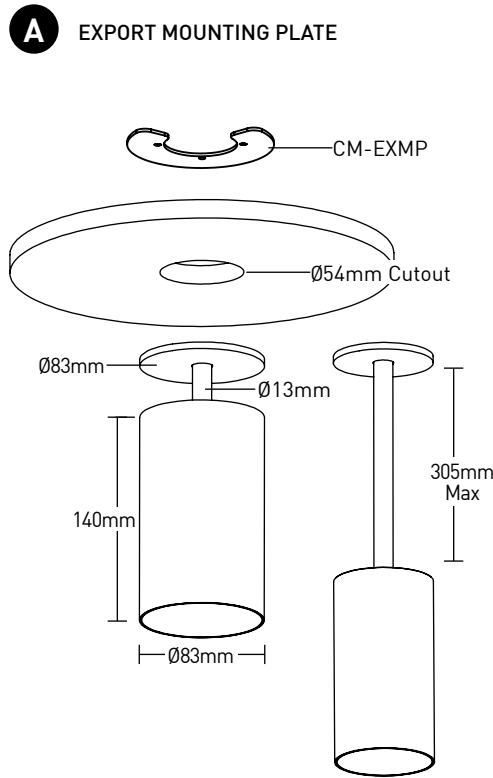
- A EXPORT MOUNTING PLATE**
Export mounting plate (concealed) to be installed above ceiling substrate. Features minimalist 83mm diameter canopy.
- B STEM**
Standard length is 1.4", available in even-inch increments between 2"-12". Stem is not field cuttable. Powdercoat finishes standard, consult factory for Alumina finishes.
- C BODY**
Available in powdercoat and Alumina finishes. Power supply integrated into fixture body.
- D OPTICS**
Robust light engine with optimized optic pairing integrates Reflection, Refraction, and TIR offering 10°, 15°, 20°, 25°, 40° & 60° beams.
- E LENS RETAINER**
Accepts 2 media devices.
- F 10° FIELD REDUCER**
Included with 10° optic. Reduces field angle by 30%.
- G MEDIA**
Soft Focus Lens standard. IP65 Wet location media sealed in place.
- H BAFFLE**
Baffle minimizes aperture glare and conceals view into fixture. Powdercoat finishes standard, consult factory for Alumina finishes.
- I CANOPY**
Adjustable Dry/Damp fixture features 0.175" and Fixed Wet fixture features 0.3" tall canopy.
- J ADJUSTABLE FIXTURE**
Features 90° tilt and 365° rotation. Only available for Dry / Damp locations.
- K FIXED FIXTURE**
Available with pre-set tilts of 0°, 15°, 30°, or 45°, and features 365° rotation. Wet rated, may be used in Dry / Damp locations.

IMPORTANT: FIXED FIXTURE TILT CANNOT BE ADJUSTED OR CHANGED IN THE FIELD, FIXTURES MUST BE RETURNED TO FACTORY FOR TILT CHANGES AT ADDITIONAL COST.

REMOTE POWER SUPPLY

- L** Remote power supply provides additional driver options. See page 4 for maximum allowable wiring distance. Must be installed in an accessible location.

DIMENSIONS / DRAWINGS



| POWER SUPPLY DIMENSIONS | | | |
|-------------------------|------|-------|------|
| Model | A | B | C |
| IG | | | |
| IN | 41mm | 210mm | 34mm |
| ID | | | |
| DD | 76mm | 130mm | 30mm |

MONOPOINT INTERNATIONAL CM2 SURFACE MOUNT

TECHNICAL

CONSTRUCTION

Monopoint: Machined aluminum body; painted finishes are granulated powder coat; Alumina finishes are anodized aluminum.

STATIC WHITE LED

2-step MacAdam ellipse LED module available in 80+, 90+ and 97+ CRI configurations in color temperatures of 2700K, 3000K, 3500K and 4000K.

3-step MacAdam ellipse LED module available in 90+ CRI configurations in color temperature of 2400K. Average rated lamp life of 50,000 hours.

WARM DIM LED

3-step MacAdam ellipse warm dim LED module available in 90+ CRI configuration. 3000K or 2700K at full brightness, warming to 1800K at full dim. Average rated lamp life of 50,000 hours.

TUNABLE WHITE LED

3-step MacAdam ellipse tunable white LED module available in 90+ CRI configuration. Features tuning ranges of 1800K to 4000K and 2700K to 5000K. Average rated lamp life of 50,000 hours.

POWER SUPPLY PERFORMANCE AND DIMMING INFORMATION

| Power Supply | PHASE | | 0-10V | | DALI | |
|--------------|--------|--------|--------|--------|--------|--|
| | IE | IG | IN | ID | DD | |
| Minimum °C | -20 °C | -20 °C | -20 °C | -20 °C | -20 °C | |
| Maximum °C | 40 °C | 40 °C | 40 °C | 40 °C | 40 °C | |
| Dimming % | 2.0% | 0.1% | 0.1% | 0.1% | 0.1% | |

Note: For IG and IN drivers consult chart on page 6 to confirm appropriate dimming curve for compatibility with selected control.

MAXIMUM ALLOWABLE REMOTE DRIVER WIRING DISTANCES

| DRIVER | WIRE AWG | | | | |
|----------------|----------|----|------|-----|-----|
| | 12 | 14 | 16 | 18 | 20 |
| IG, IN, ID, DD | - | - | 118' | 72' | 46' |

LISTING

Monopoints and drivers CE Listed for Dry / Damp and IP65 Wet locations. Integral drivers ENEC and CB Listed.

DECLARE

LBC Red List Approved.

PART L

Part L compliant for all 75+ LPW residential and 95+ LPW commercial configurations.

LIMITED WARRANTY

Manufacturer's Limited Warranty guarantees product(s) listed to be free from defects in material and workmanship under normal use and service for 1-year. LED and power supplies are warranted to operate with 70% of original flux and remain within a range of 3 duv for a period of 5-years. Warranty period begins from the date of shipment by Seller. [Consult website for full warranty terms and conditions.](#)

CHANGE LOG

- 04/27/2023: ADDED AU AND BB FINISHES OPTIONS FOR BODY AND STEM.
- 08/07/2023: ADDED NEW LED AND OPTIC OFFERINGS. REMOVED 2400K OFFERING.
- 01/17/2024: ADDED IP65 WET RATED FIXED FIXTURE, 2400K, AND INTEGRAL WARM DIM OFFERINGS.
- 02/13/2024: ADDED TUNABLE WHITE OFFERING.
- 2/15/2024: PART L COMPLIANCE ADDED
- 03/18/2024: UPDATED 10 DEGREE NARROW BEAM TO UTILIZE FILED REDUCER.



MONOPOINT INTERNATIONAL CM2 SURFACE MOUNT

DIMMING COMPATABILITY

eldoLED DRIVER COMPATIBILITY

| Power supply IG Manufacturer | Family/Model # |
|--|--------------------------------|
| Busch-Jaeger | 2112U-101 |
| Jung | 240-10 |
| Leviton Lighting Controls | IP710-DLX |
| Lightolier Controls | ZP600FAM120 |
| Merten | 5729 |
| Pass & Seymour | CD4FB-W |
| The Watt Stopper | DCLV1 |
| Synergy | ISD BC |
| Crestron® | GLX-DIMFLV8 |
| Crestron® | GLXP-DIMFLV8 |
| Crestron® | GLPAC-DIMFLV4-* |
| Crestron® | GLPAC-DIMFLV8-* |
| Crestron® | GLPP-DIMFLVEX-PM |
| Crestron® | GLPP-1DIMFLV2EX-PM |
| Crestron® | GLPP-1DIMFLV3EX-PM |
| Crestron® | DIN-A08 |
| Crestron® | DIN-4DIMFLV4 |
| Crestron® | CLS-EXP-DIMFLV |
| Crestron® | CLCI-1DIMFLV2EX |
| Power supply IN Manufacturer | Family/Model # |
| Lutron Electronics | Nova T® - NTFTV |
| Lutron Electronics | Diva® - DDTV |
| Lutron Electronics | Nova® - NFTV |
| Lutron Electronics | GrafixEye® GRX-TVI w GRX3503 |
| Lutron Electronics | Energy Savr Node™ - QSN-4T16-S |
| Lutron Electronics | TVM2 Module |
| Sensor Switch | nIO EZ |
| ABB | SD/S 2.16.1 |