



STELLR
STELLR
STELLR

ONE ELEGANT FORM.
A CONSTELLATION OF LIGHTING EFFECTS.
A FIXTURE LIKE NO OTHER.



INFINITE POSSIBILITIES

STELLR™ is a sophisticated lighting fixture, available in surface mount or pendant mount, that contains two concealed, independently controlled on-off, and warm dimmable light sources: a directional downlight within an illuminated sphere.

ACCENT ANY INTERIOR

A refined silhouette complements the full spectrum of design sensibilities, while offering high-performance features that allow for endless and ever-changing lighting effects.



LAYERS OF LIGHT, SHADOW, AND COLOR

Concealed and circulating LED sources allow you to direct the central cluster downward in 25°, 35°, and 55° beams, create a corona with the wave guide, and adjust the warm-dim to reflect time of day and promote circadian rhythms. Standard controls can vary lighting effects in any combination.

DIRECTIONAL

A central downlight draws attention to specific objects or locations.



DIFFUSE

An illuminated substrate offers a glare-free glow.



RADIANT

The spot and ambient lights together create a luminous atmosphere.





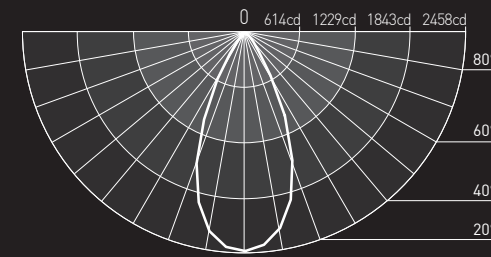
WAVEGUIDE

DOWNLIGHT

DOWNLIGHT + WAVEGUIDE

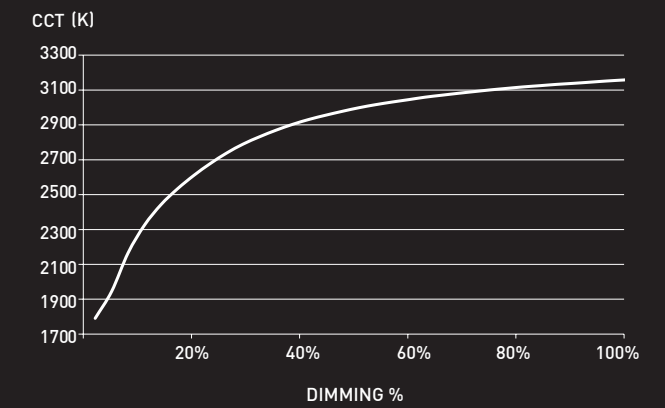
CHANGE YOUR MIND
 CHANGE YOUR MOOD
 CHANGE YOUR LIGHT

DOWN LIGHT

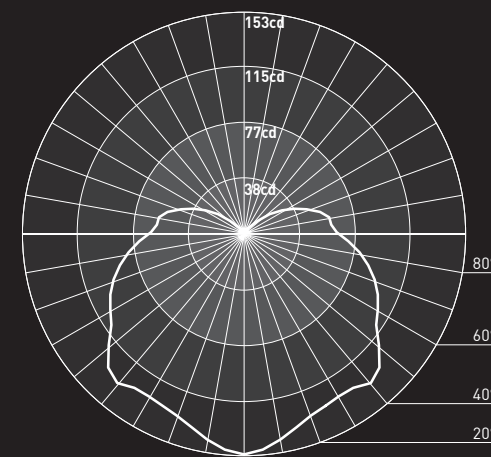


Zone	Luminaire %
0-20	55
0-30	84
0-40	95
0-60	99
0-90	100

DOWNLIGHT	CCT (K)	LIGHT OUTPUT (Lm)	POWER (W)	EFFICACY (LPW)
FULL ON 100%	3200	1018	14	73
DIMMED TO 80%	3150	814	11	73
DIMMED TO 70%	3100	713	10	73
DIMMED TO 50%	3000	509	7	73
DIMMED TO 20%	2700	204	3	73
DIMMED TO 10%	2200	102	1.4	73
DIMMED TO 2%	1800	20	0.3	73

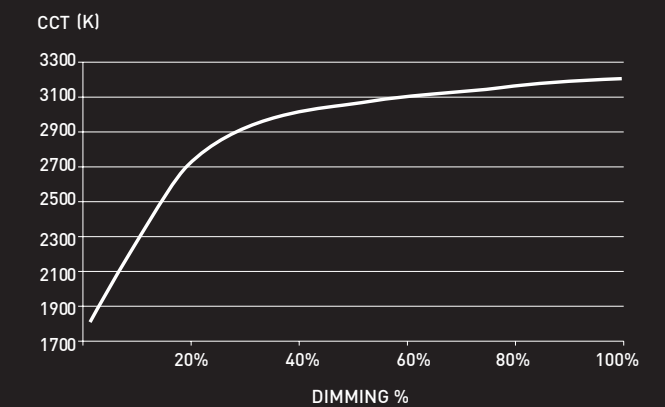


WAVEGUIDE



Zone	Luminaire %
0-20	8
0-30	17
0-40	28
0-60	53
0-90	82
90-180	18

DOWNLIGHT	CCT (K)	LIGHT OUTPUT (Lm)	POWER (W)	EFFICACY (LPW)
FULL ON 100%	3200	699	14	51
DIMMED TO 80%	3150	559	13	51
DIMMED TO 70%	3100	489	12	51
DIMMED TO 50%	3050	350	9	51
DIMMED TO 20%	2700	140	3	51
DIMMED TO 10%	2200	70	1.7	51
DIMMED TO 2%	1800	14	0.3	51



DURABLE

Solid aluminum heatsink keeps LED's at optimal temperature ensuring lifelong performance

DIMMABLE

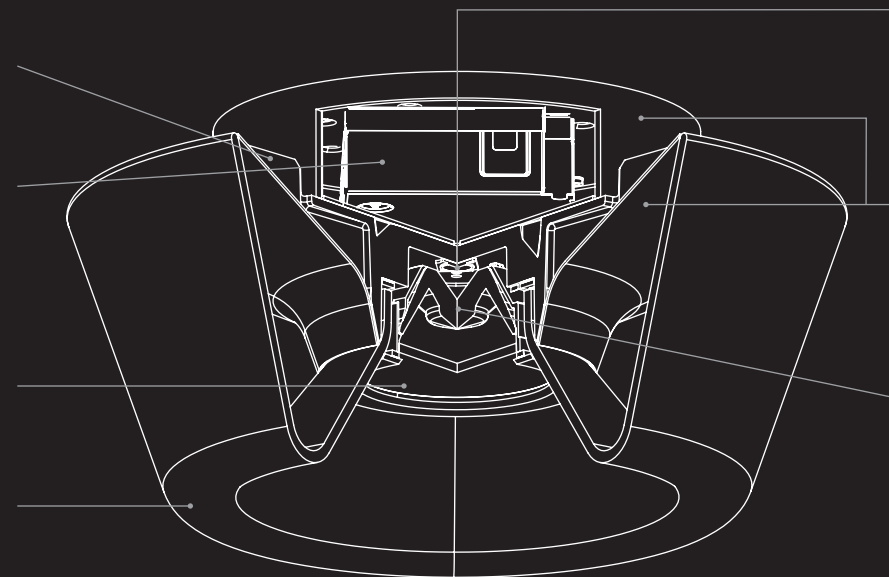
Highest quality drivers provide dimming down to 0.1%

FLEXIBILITY

Media effect device shields and spreads the downward light

SOPHISTICATION

Advanced waveguide creates beautiful layers of light with an elegant, timeless design



POWERFUL

Two independent LED sources provide high-quality, efficient, and versatile light

FINISHES

Aluminum alloy structure offered in a high-quality powder coat

PERFORMANCE

Premium optics deliver downward light in 3 distinct beam angles

Patents pending; STELLR™

SPECIFICATIONS	DOWNLIGHT	VOLUMETRIC	BOTH SOURCES
LIGHT SOURCE	LED COB	LED Mid-power	Combo
DELIVERED LUMEN 3000K 80/90CRI	1600lm / 1368lm	794lm / 715lm	2394lm / 2083lm
SYSTEM WATTAGE	17W	14W	31W
LIGHT DISTRIBUTION	Direct	Omni-directional	
CRI	80+ CRI or 90+ CRI		
CCT	2700K, 3000K, 3500K, 4000K, and Warm Dim		
STRUCTURE	Extruded, die cast, spun aluminum, polycarbonate, Nylon, and PMMA polymers		
COLORS	White, Black, Silver, and Gold		
VOLTAGE	120-277VAC		
DRIVER	Constant current using Lutron, eldoLED or ERP drivers		
DIMMING	Phase dimming, 0-10V dimming, DALI, and Lutron ECosystem		
WARRANTY	1 year- Workmanship, 5 year- LED and Power supply		



JAB-2019 Indicated by shading

SERIES

S STELLR

SIZE

2 Medium 10.2"

FIXTURE TYPE

C Ceiling Mount

WAVEGUIDE

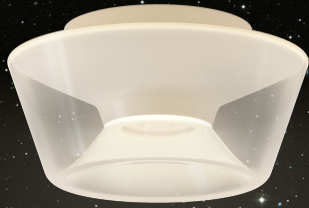
S Standard

REFLECTOR COLOR	CANOPY COLOR	DOWNLIGHT LUMEN PACKAGE	WAVEGUIDE LUMEN PACKAGE	OPTIC	EFFECTS DEVICE	DRIVER	MOUNTING
WH White BK Black AG Satin Silver AU Cashmere Gold CF Custom Finish* *(Consult Factory)	WH White BK Black AG Satin Silver AU Cashmere Gold CF Custom Finish* *(Consult Factory)	STATIC WHITE 8027 80+ CRI, 2700K Dlvd. Lumens - 1539 8030 80+ CRI, 3000K Dlvd. Lumens - 1600 8035 80+ CRI, 3500K Dlvd. Lumens - 1616 8040 80+ CRI, 4000K Dlvd. Lumens - 1632 9027 90+ CRI, 2700K Dlvd. Lumens - 1315 9030 90+ CRI, 3000K Dlvd. Lumens - 1368 9035 90+ CRI, 3500K Dlvd. Lumens - 1381 9040 90+ CRI, 4000K Dlvd. Lumens - 1359	STATIC WHITE 8027 80+ CRI, 2700K Dlvd. Lumens - 728 8030 80+ CRI, 3000K Dlvd. Lumens - 794 8035 80+ CRI, 3500K Dlvd. Lumens - 794 8040 80+ CRI, 4000K Dlvd. Lumens - 825 9027 90+ CRI, 2700K Dlvd. Lumens - 656 9030 90+ CRI, 3000K Dlvd. Lumens - 715 9035 90+ CRI, 3500K Dlvd. Lumens - 715 9040 90+ CRI, 4000K Dlvd. Lumens - 744	15 15° 35 35° 55 55°	STANDARD EFFECTS DEVICE 0 No lens OPTIONAL EFFECTS DEVICE 2 Honeycomb Louver 3 Clear Glass Lens 4 Soft Focus Lens	INTEGRAL PH 1% 120V ELV/TRIAC SG 120V or 277V 1% 0-10V Analog, LOG SN 120V or 277V 1% 0-10V Analog, LIN IG 220V-240V 1% 0-10V Analog, LOG IN 220V-240V 1% 0-10V Analog, LIN DD 120V-277V eldoLED, DUALdrive 0.1% DALI, LOG EG 120V-277V eldoLED, SOLOdrive 0.1% 0-10V, LOG EN 120-277V eldoLED, SOLOdrive 0.1% 0-10V, LIN REMOTE LP 120V or 277V Lutron, Hi-Lume Premiere Ecosystem	J Standard, J-Box Surface Mounting Plate E International Surface Mounting Plate C 1/2" and 3/4" Conduit Ceiling Mount Junction Box* *(Finish specified in canopy color section)
		WARM DIM 90WD 90+ CRI, 3200K - 1800K Dlvd. Lumens - 1018	WARM DIM 90WD 90+ CRI, 3200K - 1800K Dlvd. Lumens - 699				



INSTANT AMBIANCE

Whether it's haute cuisine or a high-end hotel, a private residence or a corporate HQ, now you can focus attention, highlight objects, create a vibe, and endlessly adjust the sensibility of your space with one extraordinary fixture.



A GLOWING WAVEGUIDE
A DIRECTIONAL DOWNLIGHT
A FIXTURE FULL OF RADIANCE

STELLR