

# INTERNATIONAL

Diminutive luminaires bring attention to tasks, special spots, and curated objects in cabinets, displays, and shelves.



## ORDERING INFORMATION AND DRAWINGS - FITTING

FITTING	RATING	LUMEN PACKAGE	CCT	FINISH	ALTERNATE MEDIA
<b>LPK</b>		<b>90L04A</b>			
LPK Luminaire PUKLED	1 IP10 Dry / Damp 2 IP65 Wet 3 IP67 Well* *(Only available with standard impact resistant clear polycarbonate lens)	<b>90L04A</b> 90+ CRI, 4.3 Watts  Delivered Lumens - 175	27 2700K 30 3000K 35 3500K 40 4000K CC Custom Color (gel)* Color Temp: _____ K *(Custom gels assigned unique suffix upon receipt of order. Contact Product Support for guidance.)	W White Powder Coat B Black Anodized A Anodized Aluminum	<b>OPTIONAL CONFIGURATIONS</b> Leave Blank unless specifying optional configuration LSL Linear Spread Lens* *(IP10 Dry Location Only) HCL Honeycomb Louver* *(IP10 Dry Location Only) FGL Frosted Glass Lens WTL Warm Tone Lens SGL Spread Glass Lens

## LUMINAIRE

**A LED**  
Machined aluminum back body with 4.3 watt AC constant voltage LED.

**B MEDIA**  
Fitting is limited to 2 media; 1 lens and 1 film. Consult factory for custom color gel options.

LPK-1 IP10 features diffusing frosted lens. Consult ordering information for alternate media.

LPK-2 IP65 Wet location fixtures include sealed diffusing frosted lens. Consult ordering information for alternate media.

LPK-3 in-grade IP67 Well-light fixtures include sealed impact resistant clear polycarbonate lens and PLA-2G-BB. Fixtures are not submersible.

Note: O-rings are included with LPK-2 and LPK-3.

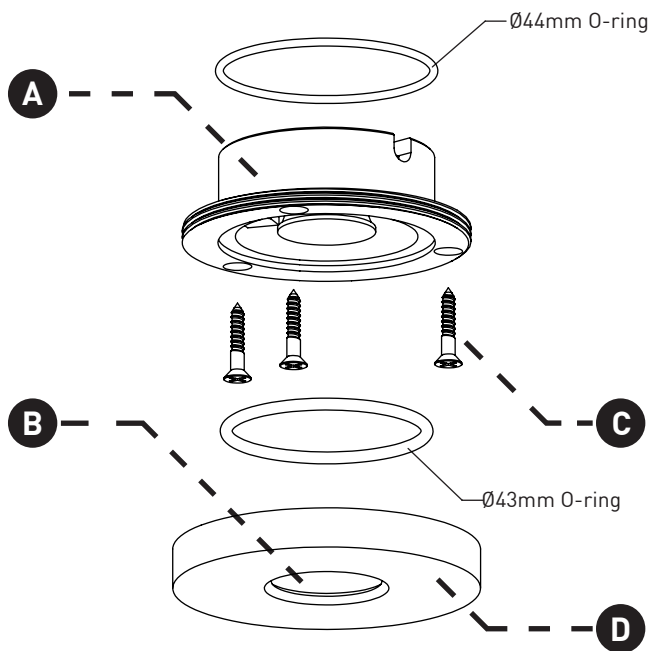
### RETENTION

**C** Mounting screws included; see BACK BOX ASSEMBLY for Wet location and Well-light applications.

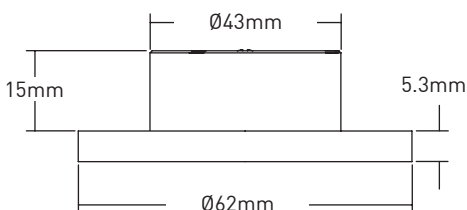
### FACE PLATE COVER

**D** Screw-on .21" (5.3mm) thickness cover used to conceal mounting hardware.

## DIMENSIONS / DRAWINGS



SIDE VIEW



# PUKLED INTERNATIONAL

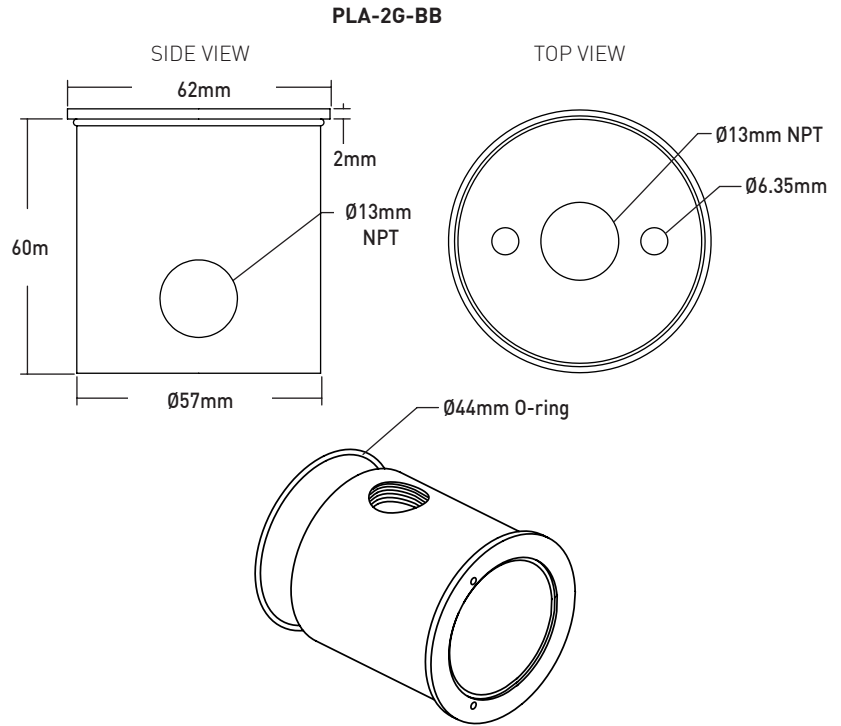
## MOUNTING ENCLOSURE

Fitting Qty. \_\_\_\_\_

### QTY.

#### \_\_\_ PLA-2G-BB

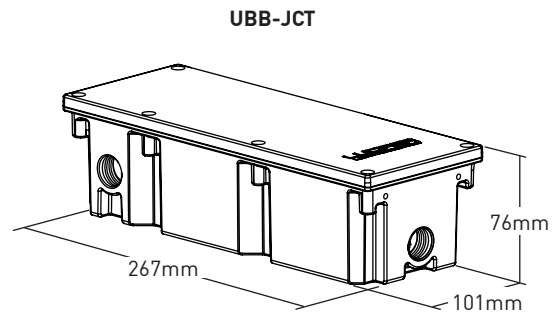
PLA-2G-BB back box assembly included with LPK-3 IP67 Well-light fitting and recommended for LPK-2 IP65 Wet location fittings. O-ring included.



## REMOTE POWER SUPPLY OPTIONS

IP65 WET, IP10 DRY / DAMP LOCATION, OR CONCRETE POUR LOCATION

UBB-JCT	WATTAGE	POWER SUPPLY
JUNCTION BOX	40 40 Watts* *(Max 8 fittings)	40 WATT POWER SUPPLY 120T Toroidal 120V (60Hz)* *(Mexico Only)
	60 60 Watts* *(Max 8 fixtures)	60 WATT POWER SUPPLY 120E Electronic 120V (50 / 60Hz)* *(Mexico only, Max 40' secondary run length)



Mounting hardware ordered separately from junction box. Select from the following:

### QTY.

- \_\_\_ UBBA-HGR Hanger bars
- \_\_\_ UBBA-BKT Brackets

#### UBB-JCT-

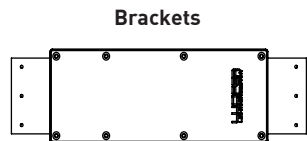
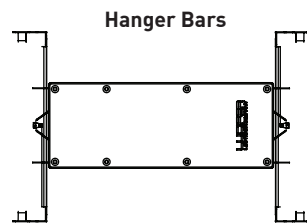
Universal Junction Box with integral power supply, wet location and concrete pour rated. Optional UBBA-HGR or UBBA-BKT mounting hardware, specified separately.

#### UBBA-HGR

Hanger bars, adjust from 14" to 24" for standard joist spacing. For use with UBB, Universal Junction Box.

#### UBBA-BKT

Brackets, universal stainless steel mounting flange. For use with UBB, Universal Junction Box.



# PUKLED INTERNATIONAL

## REMOTE POWER SUPPLY OPTIONS

### DRY / DAMP LOCATION

#### QTY.

##### \_\_\_ PSA-60-12P-1 (Mexico Only)

Plug-in Class 2 power supply, 120V primary, 12V secondary, 60W electronic transformer (non-dimmable). Accommodates up to 8 luminaires wired in either a homerun or parallel method. Max 40' secondary run length.

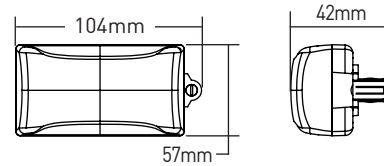
##### \_\_\_ PSA-60-12H-JB-1 (Mexico Only)

Hardwire Class 2 power supply, consists of a steel compartment and lid painted black with integral conventional 120V primary, 12V secondary, 60W electronic transformers. Accommodates up to 8 luminaires wired in either a homerun or parallel method. Max 40' secondary run length.

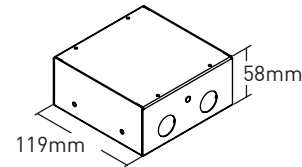
##### \_\_\_ PS-50-12AC-230E

Hardwire power supply 230V  $\pm$ 10% 50Hz primary, 12V secondary, 50W electronic transformer. IP44 rated. Includes leads for wiring. Accommodates up to 4 luminaires wired in either a homerun or parallel method. Max 2-meter secondary run length.

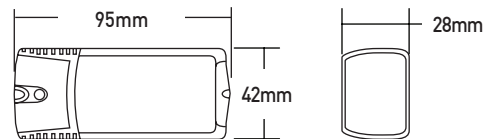
PSA-60-12P-1



PSA-60-12H-JB-1



PS-50-12AC-230E



## TECHNICAL

### CONSTRUCTION

Fitting: Machined aluminum.

PLA-2G-BB: Thermoplastic polymer.

Universal Back Box: Polycarbonate.

### LED

Proprietary 2 step MacAdam ellipse LED available in 80+ CRI configurations in color temperatures of 2700K and 3000K. Average rated lamp life: 50,000 hours. LED and power supply assemblies are field-replaceable.

### DIMMING PROTOCOL

Dims to nominal 10%. Best achieved using a corresponding forward phase control for power supplies designated "-120T" outfitted with toroid magnetic transformer and a reverse phase control for power supplies designated "PSA-60-", "-120E" & "-230E" outfitted with electronic transformers. Compatibility and performance may vary between controls and applied loads.

### ELECTRICAL

Fitting supplied with 6' (1.8m) lead of 18 AWG wire. System requires 12V AC remote power supply. See power supply options for secondary run length requirements. See dimming protocol for dimming required.

### LISTING

cTUVus Listed and ETL listed for IP10 Dry / Damp, IP65 Wet and IP67 Marine / Well-light locations.

### WARRANTY

Manufacturer's 1-year warranty guarantees product(s) listed to be free from defects in material and workmanship under normal use and service. 5-year warranty on LED and power supply to operate with 70% of the original flux and remain within a range of 3 duv. Warranty period begins from the date of shipment by Seller. Consult website for full warranty terms and conditions.