

PROJECT NAME:	TYPE:
---------------	-------

## DOUBLE IMPACT®

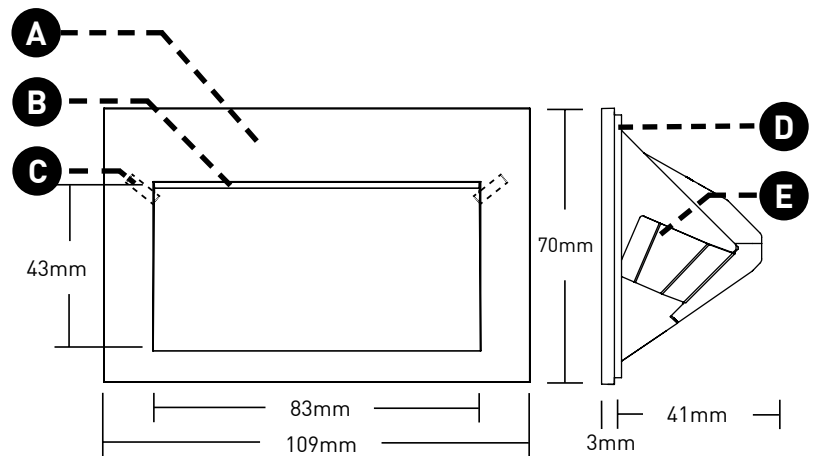
Low glare path lights lead the way through the out of doors, as built-ins or from freestanding bollards.



### ORDERING INFORMATION AND DRAWINGS - FITTING

FIXTURE	RATING	FLANGE FINISH			CRI / WATTAGE PACKAGE	CCT
<b>ISL2</b>						
ISL2 Double Impact Steplight	1 Dry / Damp (Non-Locking) 2 Wet (Locking)	<b>POWDER COAT FINISH</b> WH White BK Black AG Satin Silver AB Architectural Bronze CF Custom Finish* *(Consult Factory)	<b>NATURAL FINISH</b> IG Industrial Gray SS Brushed Stainless Steel BR Brushed Bronze NB Natural Bronze	<b>PLATED FINISH</b> CH Chrome* *(Increased lead time) PB Polished Oil-Rubbed Bronze* *(Increased lead time, not available for wet location) MB Matte Oil-Rubbed Bronze* *(Increased lead time, not available for wet location)	90L07B 90+ CRI, 6.9 Watts  ISL2 Delivered Lumens - 242	27 2700K 30 3000K 35 3500K 40 4000K CC Custom Color (gel)* Color Temp: _____ K *(Custom gels assigned unique suffix upon receipt of order. Contact Product Support for guidance.)

- A LED**  
Regressed LED with slot aperture for glare-free, energy-efficient path and step lighting; suitable for IP54 dry / damp or IP65 wet applications. 6.5W DC LED (dimming by power supply).
- B MEDIA**  
Provided with sealed polycarbonate linear diffusion lens; consult factory for availability of color gels, which may achieve custom color temperatures.
- C LOCKING**  
Discreetly hidden tamper-resistant set screws. Included with IP65 Wet location luminaire.
- D GASKET**  
Foam gasket provided. Required for IP65 wet location applications only.
- E RETENTION**  
Torsion spring clips secure fitting into back box, mounting plate, or appropriately sized cut-out.

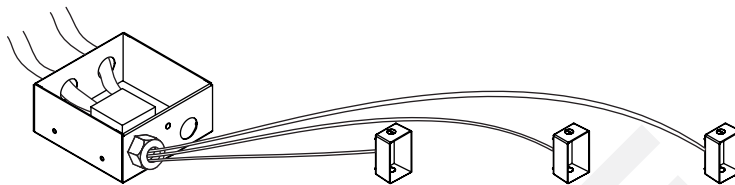


- Available with Bollard mounting, please visit [WEBSITE](#) for additional information.
- Stealth SSL1 and Impact ISL1 pathlights available, please visit [WEBSITE](#) for additional information.

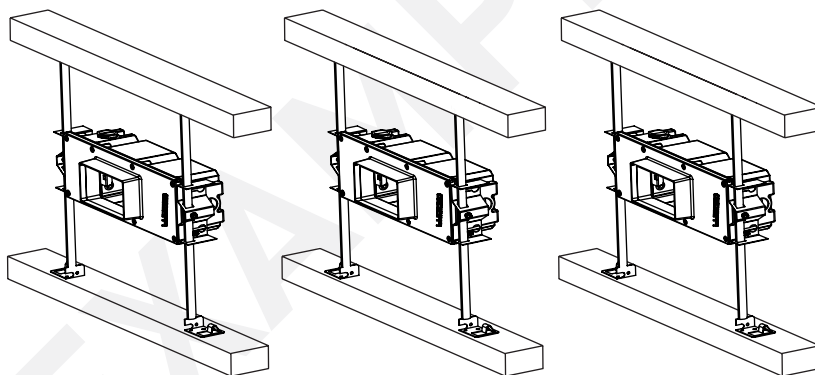
# PATHLIGHTS INTERNATIONAL DOUBLE IMPACT

## SPECIFICATION GUIDE - EXAMPLES

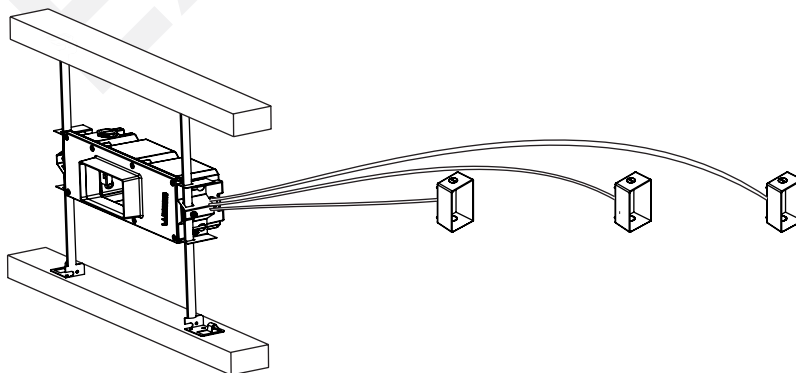
THREE FITTINGS WITH REMOTE POWER SUPPLY	
PART NUMBER	QTY.
ISL2-1-AB-90L07B2	3
SSL-2-BB	3
PSA-24V-60-1AT2	1



THREE FITTINGS WITH INTEGRAL POWER SUPPLIES	
PART NUMBER	QTY.
ISL2-1-AB-90L07B2	3
UBB-SL2-24V-60-2AT2-BKT	3



ONE FITTING WITH INTEGRAL POWER SUPPLY, POWERING THREE REMOTE MOUNTED FITTINGS	
PART NUMBER	QTY.
ISL2-1-AB-90L04B2	4
UBB-SL2-24V-60-1AT2-BKT	1
SSL-2-BB	3



\*Quantities given are for the purposes of the examples only, max quantity of fittings per power supply varies.

# PATHLIGHTS INTERNATIONAL DOUBLE IMPACT

## MOUNTING OPTIONS FOR REMOTE POWER SUPPLY - SELECT ONLY ONE PER FITTING

Fitting Qty. \_\_\_\_\_

### WET, DRY / DAMP OR CONCRETE POUR LOCATION

#### QTY.

#### SSL-2-BB

Back Box equipped with SSL-2-MP mounting plate and gasket. Typically used in wet and concrete pour applications. Features 1/2" knockouts.

#### SSL-2-BB-(1.50 / 1.75 / 2.00 / 2.50 / 3.00)

Back Box equipped with SSL-2-MP-X.XX mounting plate and gasket; specify preferred depth. Typically used in wet and concrete pour locations. Features 1/2" knockouts.

#### UBB-SL2-FL-LVF-(BKT / HGR)

Universal Back Box, wet location and concrete pour rated. Specified with remote power supply and features secondary output capacity, simplifying wiring practices and reducing budgets. Supplied with mounting hardware, specify "-HGR" or "-BKT". Shown with hanger bars (-HGR). Hanger bars adjust from 14" to 24" for standard joist spacing. Brackets, universal stainless steel mounting flange.

### WET OR DRY / DAMP LOCATION

#### QTY.

#### SSL-2-MP

Mounting Plate typically used with two-gang switch box for dry / damp locations. May be used with customer-furnished two-gang weatherproof box and factory supplied gasket for wet and concrete pour locations.

#### SSL-2-MP-(1.50 / 1.75 / 2.00 / 2.50 / 3.00)

Mounting Plate includes gasket and features an extended collar for two-gang weatherproof box; specify preferred depth. Typically for wet and concrete pour locations.

#### SSL-2-SMB-(finish)

Surface Mounting Box for interior or exterior applications, providing flush mount of luminaire. Receives secondary wiring through back of box. Powder coat finishes only.

### DRY / DAMP LOCATION ONLY

#### QTY.

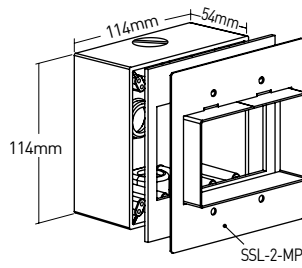
#### SSL-2-RM

Remodel Mount collar for installing fitting into drywall / plasterboard. Requires Class 2 power supply.

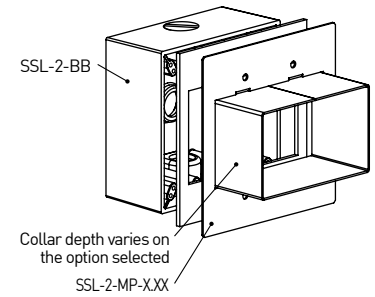
#### SSL-2-CC

Cavity Collar for installing fitting into cavity or bore. Requires Class 2 power supply.

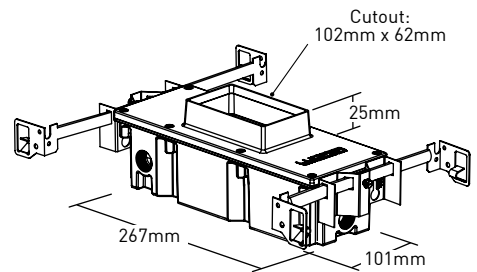
SSL-2-BB



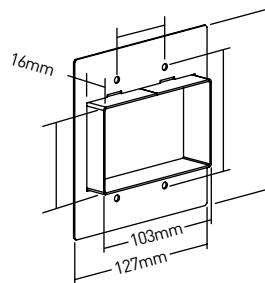
SSL-BB-2-(1.50 / 1.75 / 2.00 / 2.50 / 3.00)



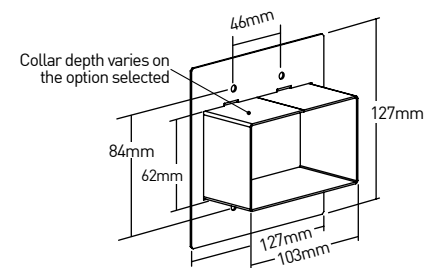
UBB-SL2-FL-LVF-(BKT / HGR)



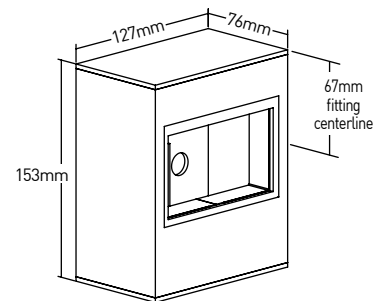
SSL-2-MP



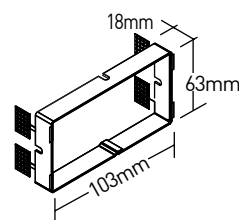
SSL-2-MP-(1.50 / 1.75 / 2.00 / 2.50 / 3.00)



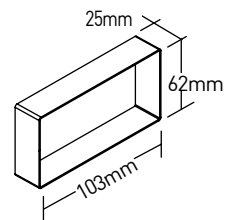
SSL-2-SMB-(finish)



SSL-2-RM



SSL-2-CC



# PATHLIGHTS INTERNATIONAL DOUBLE IMPACT

## MOUNTING OPTION WITH INTEGRAL POWER SUPPLY - SELECT ONLY ONE PER FITTING

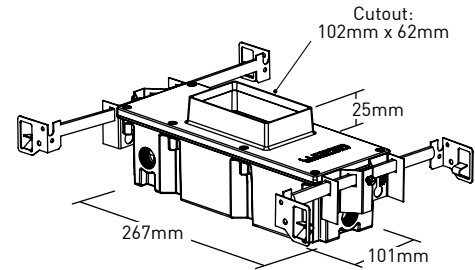
### WET, DRY / DAMP LOCATION, OR CONCRETE POUR LOCATION

	VOLTAGE	POWERSUPPLY	ATTACHMENT
<b>UBB-SL2-24V-60</b>	<b>2</b>	<b>AT2</b>	
UNIVERSAL BACK BOX 1.00" COLLAR 24 VOLT OUTPUT 60 WATT	2 220 VAC	AT2 LTF 0-10V Analog and Leading / Trailing edge (Supports 1 - 6 fittings)	HGR Hangar Bars BKT Brackets

### UBB-SL2-24V-60-2AT2-(BKT / HGR)

Universal Back Box, wet location and concrete pour rated. Specified with integral power supply and features secondary output capacity, simplifying wiring practices and reducing budgets. Supplied with mounting hardware, specify "-HGR" or "-BKT". Shown with hanger bars (-HGR). Hanger bars adjust from 14" to 24" for standard joist spacing. Brackets, universal stainless steel mounting flange.

### UBB-SL2-24V-60-2AT2-(BKT / HGR)



## REMOTE POWER SUPPLY OPTIONS

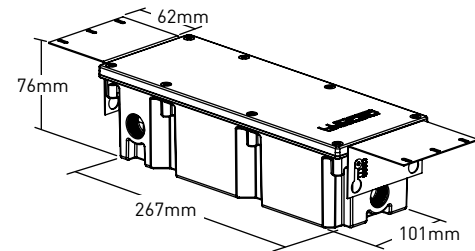
### WET, DRY / DAMP LOCATION, OR CONCRETE POUR LOCATION

	VOLTAGE	POWERSUPPLY	ATTACHMENT
<b>UBB-JCT-24V-60</b>	<b>2</b>	<b>AT2</b>	
JUNCTION BOX 24 VOLT OUTPUT 60 WATT	2 220 VAC	AT2 LTF 0-10V Analog and Leading / Trailing edge (Supports 1 - 6 fittings)	HGR Hangar Bars BKT Brackets

### UBB-JCT-24V-60-2AT2-(BKT / HGR)

Universal Junction Box, wet location and concrete pour rated. Specified as a remote power supply and features secondary output capacity, simplifying wiring practices and reducing budgets. Supplied with "-HGR" or "-BKT" mounting hardware, shown with Bracket (-BKT). Hanger bars adjust from 14" to 24" for standard joist spacing. Brackets, universal stainless steel mounting flange.

### UBB-JCT-24V-60-2AT2-(BKT / HGR)



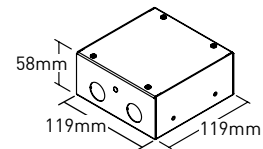
### DRY / DAMP LOCATION

	POWERSUPPLY
<b>PSA-24V</b>	
POWER SUPPLY ASSEMBLY 24 VOLT OUTPUT	60-2AT2-INT 60 Watt, 220VAC, LTF 0-10V Analog and Leading / Trailing edge (supports 1 - 6 fittings) 66-UEx2-INT 66 Watt, 120 - 277VAC, eldoLED LINEARdrive, DMX (supports 1 - 9 fittings) 66-UED3-INT 66 Watt, 120 - 277VAC, eldoLED LINEARdrive, DALI (supports 1 - 9 fittings)

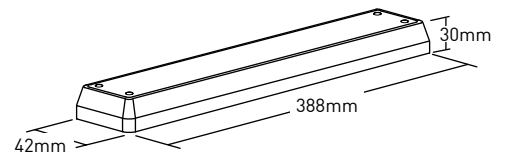
### PSA-24V-XX-XXXX-XXX

Hardwire Class 2 power supply, consists of a steel compartment and lid painted black with integral conventional electronic power supply. Wired in either a homerun or parallel method.

### PSA USED FOR AT2



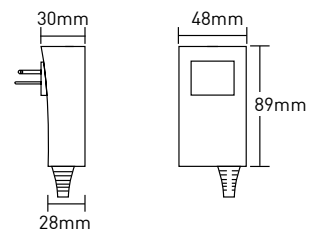
### PSA USED FOR EX2 AND ED3



### FOLLOWING POWER SUPPLY FOR DEMONSTRATION AND SAMPLING PURPOSES ONLY. NOT FOR PERMANENT INSTALLATIONS.

- PSA-24V-25-2EL2-INT** Plug-in 240V Class 2 power supply (Supports 1 fixture)

### PSA-24V-25-2EL2-INT



# PATHLIGHTS INTERNATIONAL DOUBLE IMPACT

## TECHNICAL

### CONSTRUCTION

Stealth: Cast 316 stainless steel or brass, depending on finish.

Mounting Plates and Mounting Collars: Stainless Steel.

Single-gang Weatherproof Box: Aluminum.

Surface Mount Box: Aluminum.

Universal Back Box: Polycarbonate.

### LED

Proprietary 2 step MacAdam ellipse LED module available with 80+ and 90+ CRI in color temperatures of 2700K, 3000K, 3500K and 4000K. Average rated lamp life: 50,000 hours.

### POWER SUPPLY PERFORMANCE AND DIMMING INFORMATION

Power Supply	AT2	EX2	ED3
Minimum °C	-20 °C	-20 °C	-20 °C
Maximum °C	50 °C	50 °C	50 °C
Dimming %	10.0%	0.1%	0.1%

### RECOMMENDED SPACING

Optimum 18" (457mm) above walking surface; 60" (1524mm) on-center spacing.

### ELECTRICAL

**Luminaire requires factory-supplied 24-Volt DC power supply.** May be integral to back box or remote. Secondary run lengths vary depending on power supply specified, see installation guidelines for run lengths.

### LISTING

cTUVus Listed; Dark-Sky Compliant; Patent No. US D610,734 S; Dry / Damp (IP54 rated) and Wet (IP65 rated) location.

### WARRANTY

Manufacturer's 1-year warranty guarantees product(s) listed to be free from defects in material and workmanship under normal use and service. 5-year warranty on LED and power supply to operate with 70% of the original flux and remain within a range of 3 duv. Warranty period begins from the date of shipment by Seller. Consult website for full warranty terms and conditions.

### CHANGE LOG

1.06/12/2023: ADDED 90 CRI WATTAGE PACKAGE