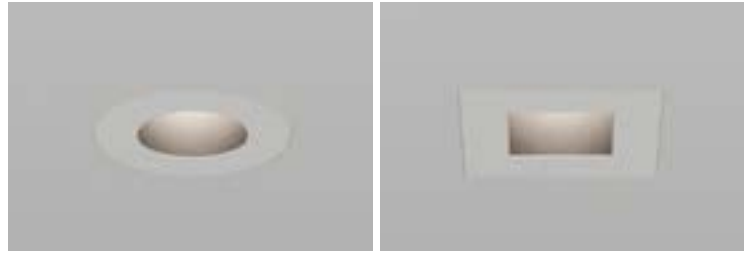


ATOMOS™ 1 INT

PINHOLE ADJUSTABLE

A miniature downlight range offering impressive performance in an extremely small profile with a 1" aperture and 2" overall diameter.

PROJECT NAME:	TYPE:
---------------	-------



ORDERING INFORMATION - FITTING

FITTING	FITTING TYPE	FITTING TYPE	RATING	TRIM FINISH	BAFFLE FINISH	LUMEN PACKAGE	CCT	OPTIC	INSTALL TYPE	DRIVER	EFFECTS DEVICE
					BK				E		
A2RP 1" Round Pinhole	T Zero-Sightline Drywall	AD Adjustable, 30° Max Tilt	1 Dry / Damp (IP20)	WH White	BK Black	STATIC WHITE 8008D 80+ CRI Adj. / Fixed lm delivered - 276	24 2400K* *90+ CRI Only)	10 10°* * (For use with 09H lumen package only)	13mm - 50mm MAX CEILING THICKNESS	IP ELV / Triac, 1% ID DALI, LOG, 1% IN DALI, LIN, 1%	STANDARD 4 Soft Focus Film* * (Required for 10° optic)
A2SP 1" Square Pinhole	W Zero-Sightline Millwork* * (Not available for Square A2SP)	FD Fixed	2 Wet (IP44)	AB Architectural Bronze AG Satin Silver AU Cashmere Gold BB Burnt Bronze BK Black PR Primer CF Custom Finish* * (Consult Factory)		8009H 80+ CRI* * (For use with 10° Optic only) Adj. / Fixed lm delivered - 197	27 2700K 30 3000K 35 3500K 40 4000K	15 15° 25 25° 35 35° 50 50°	E Export* * (For export use, outside of USA)	TUNABLE WHITE REMOTE (0.1%, 120-277V) DD eLdoLED, DUALdrive DALI-2, LOG	ALTERNATE 0 No Media* * (Not available for IP44 Wet Location, or Warm Dim) 2 Honeycomb Louver* * (Not available for IP44 Wet Location, or Warm Dim) 3 Clear Film* * (Not available for Warm Dim) S Honeycomb Louver w/ Soft Focus Film C Honeycomb Louver w/ Clear Film* * (Not available for Warm Dim)
	CONSULT FACTORY FOR ROUND FLANGE OVERLAY					WARM DIM 9005D 90+ CRI, Adj. / Fixed lm delivered - 201	WL 2700K - 1800K	15 15° 25 25° 35 35° 50 50°			
						9009D 90+ CRI, Adj. / Fixed lm delivered - 343	WD 3000K - 1800K				
						TUNABLE WHITE 9010D 90+ CRI, Warm Profile Adj. / Fixed lm delivered - 327	TR 4000K - 1800K	15 15° 25 25° 35 35° 50 50°			
						Cool Profile Adj. / Fixed lm delivered - 288	TH 5000K - 2700K				
*ALL LM DELIVERED OUTPUTS REFLECT 3000K PAIRED WITH 15° OPTIC AND SOFT FOCUS FILM.											



PART NUMBER NOTES

- Fitting ships as e.g., A2RPTAD1AGBK-9010D30-AZE-ID*4



ATOMOS1 INT PINHOLE ADJUSTABLE

ACCESSORIES

ALTERNATE EFFECTS DEVICES

Consult factory for additional configurations.

CGL-AP Clear Film*

*(Not available for Warm Dim)

SFL-AP Soft Focus Film

HCL-AP Honeycomb Louver*

*(Not available for Warm Dim unless paired with Soft Focus Film. Not available for IP44 wet location unless paired with film.)

REPLACEMENT OPTICS

Interchangeable optics accessible through fixture aperture.

RO-A-15-1 15° optic

RO-A-25-1 25° optic

RO-A-35-1 35° optic

RO-A-50-1 50° optic

RO-A-AZ-1 Adjustable zoom optic*

*(24°, 30°, 36°, 42° and 48° beam spreads. Not available for Warm Dim or Tunable White.)

ADJUSTMENT TOOL

One provided for every 10 adjustable fixtures.

TOOL-HEX-050 Adjustment Tool

ATOMOS1 INT PINHOLE ADJUSTABLE

STATIC WHITE PERFORMANCE - 3000K

LUMEN PACKAGE	WATTS	15° OPTIC SOFT FOCUS FILM		25° OPTIC SOFT FOCUS FILM		35° OPTIC SOFT FOCUS FILM		50° OPTIC SOFT FOCUS FILM	
		DLVD.	LPW	DLVD.	LPW	DLVD.	LPW	DLVD.	LPW
8008D	6	276	46	274	46	243	46	257	43
8012D	12	473	39	469	39	415	35	440	37
9007D	6	234	39	232	39	206	34	218	36
9010D	12	400	33	397	33	352	29	373	31
9005D (27K-18K)	6	201	33	199	33	177	29	187	31
9009D (30K-18K)	12	343	29	341	28	302	25	320	27
9010DTR (40K-18K)	10	327	33	303	30	242	24	298	30
9010DTH (50K-27K)	10	288	29	267	27	213	21	262	26

LUMEN PACKAGE	WATTS	10° OPTIC SOFT FOCUS FILM	
		DLVD.	LPW
80S09H	9	197	22
90S09H	9	167	19

LUMEN PACKAGE	WATTS	24° Zoom - Position 1 SOFT FOCUS FILM		30° Zoom - Position 2 SOFT FOCUS FILM		36° Zoom - Position 3 SOFT FOCUS FILM		42° Zoom - Position 4 SOFT FOCUS FILM		48° Zoom - Position 5 SOFT FOCUS FILM	
		DLVD.	LPW	DLVD.	LPW	DLVD.	LPW	DLVD.	LPW	DLVD.	LPW
8008D	6	284	47	287	48	271	45	259	43	256	43
8012D	12	487	41	491	41	462	39	443	37	437	36
9007D	6	241	40	243	41	229	38	219	37	217	36
9010D	12	412	34	416	35	392	33	375	31	371	31

FINISH LIGHT LOSS FACTOR

BAFFLE FINISH	LLF
WHITE	1.00
CASHMERE GOLD	0.96
SATIN SILVER	0.95
BURNT BRONZE	0.93
BLACK	0.92

OUTPUT MULTIPLIER

CCT	CCT SCALE
2400K	0.76
2700K	0.95
3000K	1.00
3500K	1.05
4000K	1.06

LIGHT LOSS FACTOR

NO MEDIA	1.11
SOFT FOCUS	1
CLEAR	1
HONEYCOMB	0.77
HONEYCOMB W/ SOFT FOCUS	0.77
HONEYCOMB W/ CLEAR	0.76

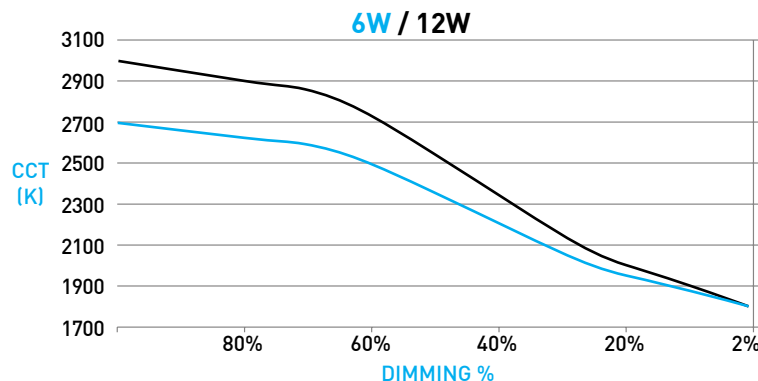
TUNABLE WHITE MULTIPLIER

CCT	5000K-2700K	4000K-1800K
5000K	1.16	-
4000K	1.08	1.14
3500K	1.04	1.07
3000K	1.00	1.00
2700K	0.96	0.92
2400K	-	0.84
1800K	-	0.69

WARM DIM PERFORMANCE - SOFT FOCUS FILM - 15° OPTIC

9009D 3000K - 1800K	Full on 100%	Dimmed to 80%	Dimmed to 70%	Dimmed to 50%	Dimmed to 20%	Dimmed to 10%	Dimmed to 2%
CCT (K)	3000	2950	2900	2800	2400	2000	1800
Light Output (Lm)	343	274	240	172	69	34	7
Power (W)	12	9.6	8.4	6	2.4	1.2	0.2
Efficacy (LPW)	28	28	28	28	28	28	28

9005D 2700K - 1800K	Full on 100%	Dimmed to 80%	Dimmed to 70%	Dimmed to 50%	Dimmed to 20%	Dimmed to 10%	Dimmed to 2%
CCT (K)	2700	2160	1890	1350	540	270	54
Light Output (Lm)	201	161	141	101	40	20	4
Power (W)	6	4.8	4.2	3	1.2	0.6	0.1
Efficacy (LPW)	33	33	33	33	33	33	33



ATOMOS1 INT PINHOLE ADJUSTABLE

DOWNLIGHT

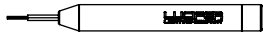
- A FITTING**
Hot-aim tilt up to 30° and 362° rotation. Offset pivot point optimizes center beam. Max ceiling thickness for 30° tilt is 38mm.
- B STANDARD OPTICS**
Proprietary optic integrates Reflection, Refraction and TIR offering 15°, 25°, 35°, and 50° beams.
- C 10° FIELD REDUCER**
Included with 10° optic.
- D HONEYCOMB LOUVER**
Clips onto optic and adjusts with fitting.
- E EFFECTS DEVICES**
Soft focus film or Accent Washer film standard and sealed to baffle. Fitting is limited to 1 film and the honeycomb louver.
- F BAFFLE**
Die-cast removable baffle features 35° glare cutoff. Minimizes aperture glare and conceals view into housing or ceiling; includes silicone gasket.
Exterior finish **F1** is specified in "Trim Finish" section.
Interior finish **F2** is specified in "Baffle Finish" section and is only available in black.

FITTING PROFILE

- **ZERO-SIGHTLINE DRYWALL**
Installs totally flush with the ceiling with no visible trim. Appliqué includes screws for mounting and has 1.5mm plaster stop. Not recommended for stucco applications.
- **ZERO-SIGHTLINE MILLWORK**
Installs totally flush with the ceiling with no visible trim. Utilizes the A2RS round standard configuration installed behind the ceiling. See additional information on page 4.
- **ZERO-SIGHTLINE MILLWORK SPACERS**
Ship with fitting when trimless millwork is specified. Must be installed flush with finished millwork mounting surface. Includes (1) 1.5mm spacer and (8) 3mm spacers.

ADJUSTMENT

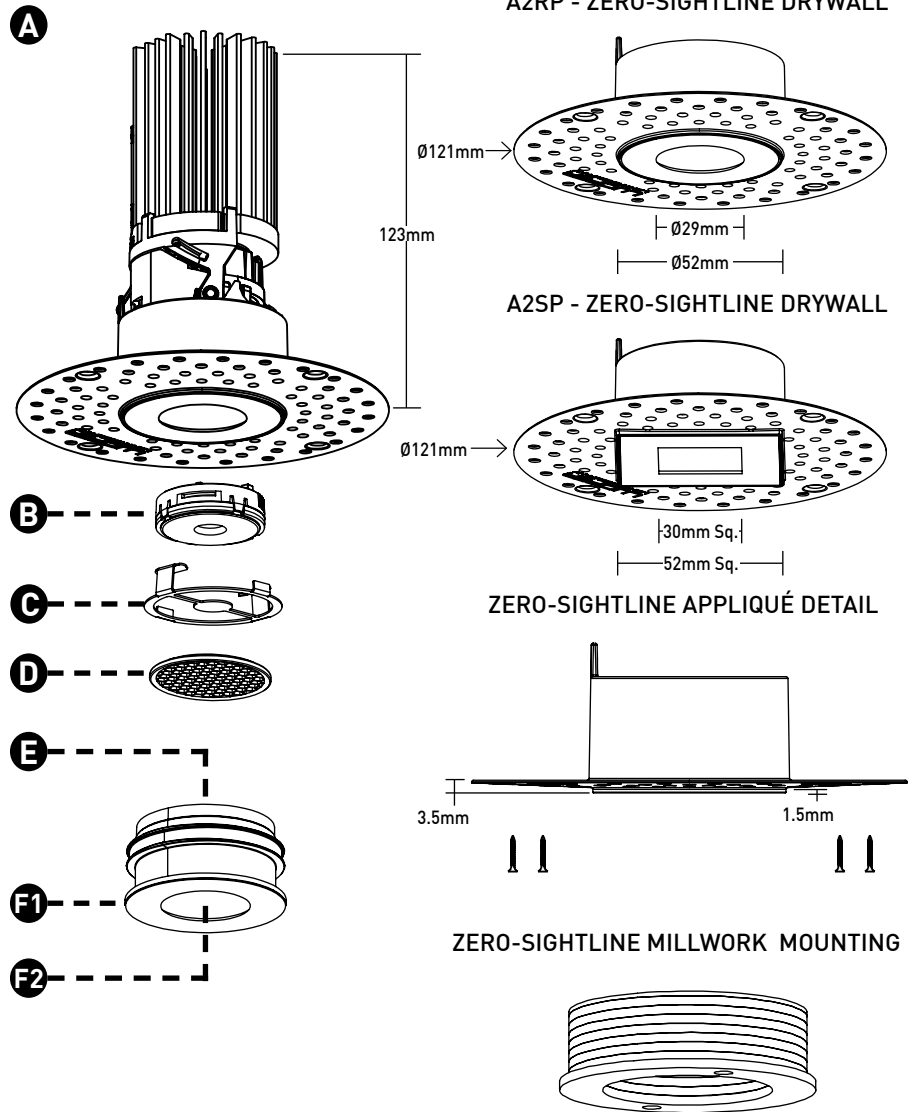
- **ADJUSTMENT TOOL**
Minimum 1 provided for every 10 fixtures. Utilizes a 0.050" Allen key driver.



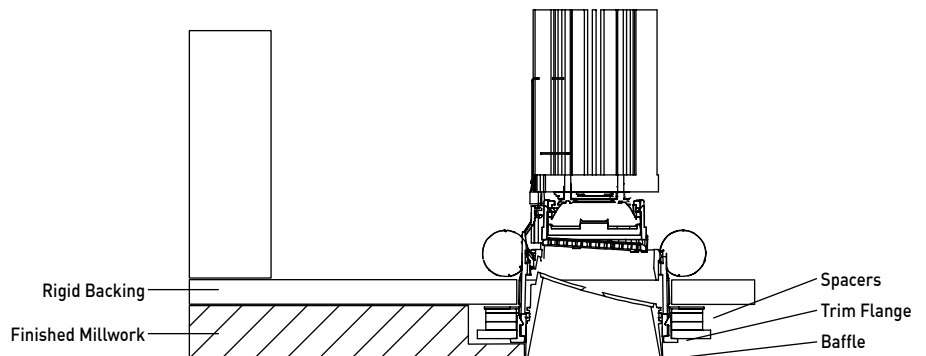
TILT CHART

CEILING THICKNESS	≤38mm	≤41mm	≤44mm	≤47mm	≤50mm
MAX TILT	30°	24°	18°	15°	13°

DIMENSIONS / DRAWINGS



ZERO-SIGHTLINE MILLWORK DETAIL (EXAMPLE)



ATOMOS1 INT PINHOLE ADJUSTABLE

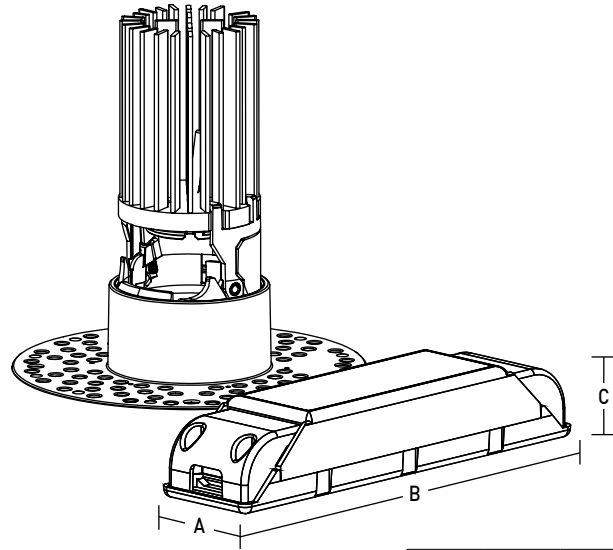
REMODEL POWER SUPPLY

DIMENSIONS / DRAWINGS

G POWER SUPPLY

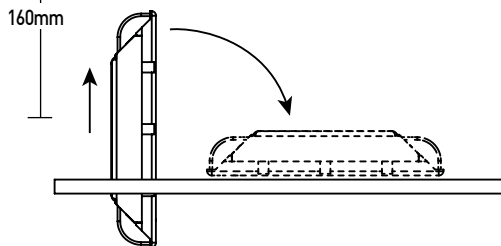
- Minimum 160mm (ID / IN) or 235mm (IP) clearance from top of the ceiling plane to allow for driver installation and servicing.
- Minimum setback from combustible and non-combustible materials of 168mm radius from fitting centerline.
- Minimum 76mm setback from surfaces of power supply / junction box.
- Minimum additional 76mm setback from insulation material with max R-Value 30 from any surface of downlight fitting assembly.
- Minimum additional 152mm setback from polycell spray foam insulation with max R-Value 60 from any surface of downlight fitting assembly.
- Consult factory for spacing requirements for any installations exceeding R-Value 60.
- Do not install in environments where ambient temperatures exceed 40°C (104°F).

G

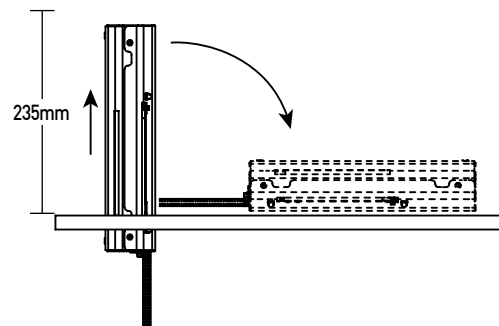


POWER SUPPLY DIMENSIONS			
Model	A	B	C
IP	45mm	205mm	45mm
ID	42mm	161mm	31mm
IN			

ID / IN DRIVER REQUIRES MINIMUM 160MM CLEARANCE ABOVE CEILING



IP DRIVER REQUIRES MINIMUM 235MM CLEARANCE ABOVE CEILING



ATOMOS1 INT PINHOLE ADJUSTABLE

TECHNICAL

CONSTRUCTION

Fitting: Painted finishes are granulated powder coat.

Appliqué: High strength fiber reinforced polymer.

STATIC WHITE LED

2-step MacAdam ellipse LED module available in 80+ and 90+ CRI configurations in color temperatures of 2700K, 3000K, 3500K and 4000K.

3-step MacAdam ellipse LED module available in 80+ and 90+ CRI configuration in color temperature of 2400K. Average rated lamp life: 50,000 hours. LED and driver assemblies are field-replaceable.

WARM DIM LED

3-step MacAdam ellipse warm dim LED module available in 90+ CRI configuration. 3000K or 2700K at full brightness, warming to 1800K at full dim. Average rated lamp life of 50,000 hours. LED and driver assemblies are field-replaceable.

TUNABLE WHITE LED

3-step MacAdam ellipse tunable white LED module available in 90+ CRI configuration. Features tuning range of 2700K to 5000K and 1800K to 4000K. Average rated lamp life of 50,000 hours. Driver assemblies are field-replaceable.

POWER SUPPLY PERFORMANCE AND DIMMING INFORMATION

	ELV		DALI	
Power Supply	IP	ID	IN	DD
Minimum °C	-10 °C	-20 °C	-20 °C	-20 °C
Maximum °C	40 °C	40 °C	40 °C	40 °C
Dimming %	1.0%	1.0%	1.0%	0.1%

LISTING

CE listed for IP20 Dry / Damp and IP44 Wet locations. Patent Pending.

PART L

Part L compliant for all 75+ LPW residential and 95+ LPW commercial configurations.

WARRANTY

Manufacturer's 1-year warranty guarantees product(s) listed to be free from defects in material and workmanship under normal use and service. 5-year warranty on LED and power supply to operate with 70% of the original flux and remain within a range of 3 duv.

CHANGE LOG

- 05/31/2023: UPDATED ROUND BAFFLE TO FLAT BAFFLE DESIGN.
- 02/07/2024: ADDED 2400K, LOW WATTAGE, AND TUNABLE WHITE OFFERINGS
- 2/15/2024: PART L COMPLIANCE ADDED

