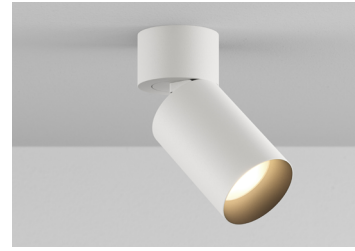


# CYLINDER 1 ADJUSTABLE SURFACE MOUNT

PROJECT NAME:

TYPE:



In Q1 2024 we will begin shipping the CY1X in place of the current CY1. This enhanced fixture features dimensions of Ø2.5" x 5.9", lumen outputs up to 1546 lm delivered, more finish options, additional wet location options and 90° tilt standard. We will continue to receive orders for the CY1 through the end of 2023. See Page 2 for fixture comparison.

## ORDERING INFORMATION - CYLINDER



Quick Ship Product. All rough in components ship within 10 days up to quantities of 100.



JA8-2019 COMPLIANCE INDICATED BY SHADING

CYLINDER	FIXTURE	RATING	CYLINDER FINISH	BAFFLE FINISH	LUMEN PACKAGE	CCT	OPTIC	DRIVER	EFFECTS DEVICE	MOUNTING
CY1				<b>BK</b>						
CY1 2.50"	<b>AD</b> Standard 42° <b>9D</b> Max 90° Tilt* *(Not available for Wet location; Increased lead time) <b>AS</b> Standard 42° Shallow Canopy* *(Remote driver only; increased lead time) <b>9S</b> Max 90° Tilt Shallow Canopy* *(Not available for Wet location; Remote driver only; increased lead time)	1 Dry/Damp 2 Wet	<b>WH</b> White <b>AG</b> Satin Silver* *(Increased lead time) <b>AB</b> Architectural Bronze* *(Increased lead time) <b>BK</b> Black <b>MA</b> Machined Aluminum* *(Not available with 9D, 9S, or Wet location) <b>CF</b> Custom Finish* *(Consult Factory)	<b>BK</b> Black	<b>STATIC WHITE</b> <b>80C12A</b> 80+ CRI, Delivered Lumens - 791 <b>80C19A</b> 80+ CRI, Delivered Lumens - 1218 <b>90C10A</b> 90+ CRI, Delivered Lumens - 676 <b>90C15A</b> 90+ CRI, Delivered Lumens - 1040 <b>97C09A</b> 97+ CRI, Delivered Lumens - 604 <b>97C14A</b> 97+ CRI, Delivered Lumens - 926  <b>WARM DIM</b> <b>90W11A</b> 90+ CRI, Delivered Lumens - 893 Incandescent Profile <b>90W12A</b> 90+ CRI, Delivered Lumens - 1004 Standard Profile *SEE PAGE 3 FOR DETAILED WARM DIM PROFILE COMPARISON.  *ALL DELIVERED LUMEN OUTPUTS AND T24 COMPLIANCE REFLECT 3000K PAIRED WITH 60° OPTIC AND SOFT FOCUS LENS. REFERENCE PAGE 4 FOR ADDITIONAL T24 COMPLIANT CONFIGURATIONS.	<b>22</b> 2200K* *Only available for 90+ CRI) <b>27</b> 2700K <b>30</b> 3000K <b>35</b> 3500K <b>40</b> 4000K  <b>WL</b> 2700K - 1800K <b>WD</b> 3000K - 1800K	<b>10</b> 10°* *Only available for 80C12A, 90C10A, and 97C09A. Not available for 2200K) <b>15</b> 15° <b>20</b> 20° <b>40</b> 40° <b>60</b> 60°  <b>20</b> 20° <b>40</b> 40° <b>60</b> 60°	<b>INTEGRAL</b> <b>CA3</b> 120-277V 0-10V Analog <b>CE3</b> 120V Electronic ELV Forward / Reverse Phase  <b>REMOTE (120V)</b> <b>TR2</b> Philips, 2% Leading/Trailing / Triac* *(Only available for 80C19A, 90C15A, 97C14A, and Warm Dim) <b>L23</b> Lutron, Hi-Lume 1% 2-Wire  <b>REMOTE (120-277V)</b> <b>LH1</b> Lutron, Hi-Lume Ecosystem 1% Fade to Black <b>AN4</b> Philips Xitanium 1% 0-10V, LOG <b>LN2</b> Philips Xitanium 1% 0-10V, LIN <b>EA2</b> eldoLED, SOLOdrive 0.1% 0-10V, LOG <b>LA2</b> eldoLED, SOLOdrive 0.1% 0-10V, LIN <b>ED1</b> eldoLED, SOLOdrive 0.1% DALI, LOG <b>LD1</b> eldoLED, SOLOdrive 0.1% DALI, LIN	<b>STANDARD EFFECTS DEVICE</b> <b>4</b> Soft Focus Lens <b>N</b> No Lens* *(Standard for 10° optic. Not available for Wet location or Warm Dim) <b>ALTERNATE EFFECTS DEVICE</b> <b>2</b> Honeycomb Louver* *(Not available for Wet location or Warm Dim) <b>3</b> Clear Glass Lens* *(Not available for Warm Dim) <b>5</b> Frosted Glass Lens <b>6</b> Frosted Soft Focus Lens <b>7</b> Frosted Linear Spread Lens <b>S</b> Soft Focus Lens w/ Linear Spread Film <b>C</b> Clear Glass Lens w/ Linear Spread Film	<b>ROUGH-IN</b> <b>JBMP</b> 4" Sq. or 4/0 Junction Box Mounting Plate * <b>FINISH OUT</b> <b>SMK3</b> 3/0 Surface Mount Kit * <b>SMK4</b> 4/0 Surface Mount Kit * <b>CMJB</b> 1/2" and 3/4" Conduit Ceiling Mount Junction Box* *(Not available for Wet location or MA finish. Quick Ship Product for WH and BK finishes only) *



## PART NUMBER NOTES

- CY1 ships as e.g., CY1-AD-1-WH-90C10A2-3-RMT-4
- Remote driver ships as e.g., PS-RMT-90C10A-1L23
- Mounting ships separate from fixture, part numbers listed on page 6.



**LUCIFER**  
LIGHTING COMPANY

luciferlighting.com

©2023 Lucifer® Lighting Company

As part of its policy of continuous research and product development, the company reserves the right to change or withdraw specifications without prior notice.

[PH] +1-210-227-7329  
[FAX] +1-210-227-4967

pg. 1

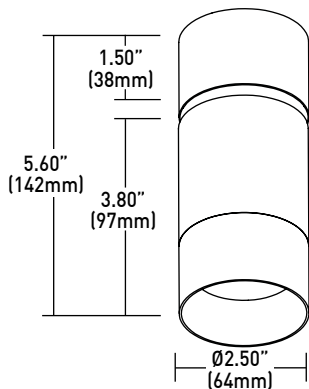
# CYLINDER 1 ADJUSTABLE SURFACE MOUNT

## FIXTURE COMPARISON

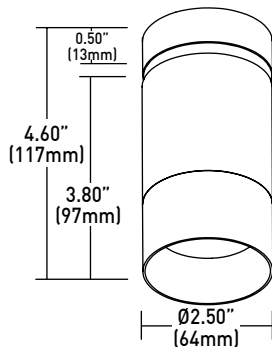
### CURRENT CY1

### NEW CY1X

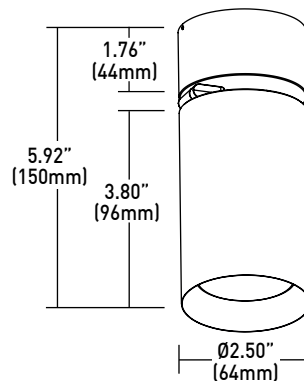
CY1-AD / 9D / AW



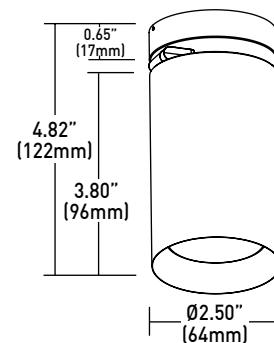
CY1-AS / 9S



CY1XAD / AW



CY1XAS



FIXTURE COMPARISON	CURRENT CY1	NEW CY1X
MAX DELIVERED LUMENS	1363	1546
STANDARD TILT	42° STANDARD / 90° MAX	90° STANDARD
ROTATION	357°	365°
FIXTURE FINISHES	POWDERCOAT	POWDERCOAT AND ALUMINA FINISHES BY LUCIFER LIGHTING™
BAFFLE FINISHES	BLACK POWDERCOAT	POWDERCOAT AND ALUMINA FINISHES BY LUCIFER LIGHTING™
EFFECTS DEVICES	1	2
DECLARE	DECLARE LISTED	DECLARE RED LIST APPROVED
BUY AMERICAN ACT	NO	YES

## ALUMINA FINISHES BY LUCIFER LIGHTING™



\*ALUMINA FINISHES ARE ANODIZED ALUMINUM

# CYLINDER 1 ADJUSTABLE SURFACE MOUNT

## ACCESSORIES

### ALTERNATE EFFECTS DEVICES

**HCL-CY1-03** Honeycomb Louver \*

\*(Not available for Wet location or Warm Dim)

**CGL-CY1-03** Clear Glass Lens \*

\*(Not available for Warm Dim)

**SFL-CY1-03** Soft Focus Lens

**FGL-CY1-03** Frosted Glass Lens

**FSFL-CY1-03** Frosted Soft Focus Lens

**FLSL-CY1-03** Frosted Linear Spread Lens

**SFL-LSL-CY1-03** Soft Focus Lens W/ Linear Spread Film

**CGL-LSL-CY1-03** Clear Glass Lens W/ Linear Spread Film

### REPLACEMENT OPTICS

Interchangeable optics  
accessible by removing snoot.

**RO-50-15-2** 15° optic \*

\*(Not available for Warm Dim)

**RO-50-20-2** 20° optic

**RO-50-40-2** 40° optic

**RO-50-60-2** 60° optic

### EMERGENCY LIGHTING - REMOTE MOUNT ONLY

**EMB-S-20/25-120/277-LEDX** 20/25 watt max capacity, 120 or 277 VAC 60Hz

**EMB-S-100-120-LEDX** 100 watt max capacity, 120 VAC 60Hz

**EMB-S-100-277-LEDX** 100 watt max capacity, 277 VAC 60Hz

**EMB-S-250-120/277-LEDX** 250 watt max capacity, 120 or 277 VAC 60Hz

During disruption of main power, emergency battery inverter provides temporary 120V or 277V to fixture.

# CYLINDER 1 ADJUSTABLE SURFACE MOUNT

## STATIC WHITE PERFORMANCE - 3000K

LUMEN PACKAGE	WATTAGE	10° OPTIC NO SOFT FOCUS LENS		15° OPTIC SOFT FOCUS LENS		20° OPTIC SOFT FOCUS LENS		40° OPTIC SOFT FOCUS LENS		60° OPTIC SOFT FOCUS LENS	
		DELIVERED	LPW	DELIVERED	LPW	DELIVERED	LPW	DELIVERED	LPW	DELIVERED	LPW
80C12A	10	693	40 (17W)	884	88	665	67	790	79	791	79
80C19A	17	-	-	1363	81	1024	60	1216	76	1218	72
90C10A	10	587	34 (17W)	731	73	569	57	676	68	676	68
90C15A	17	-	-	1127	67	874	51	1039	61	1040	61
97C09A	10	542	31 (17W)	666	67	508	51	603	60	604	61
97C14A	17	-	-	1028	61	779	46	925	54	926	55
90W11A	16	-	-	-	-	759	47	902	56	893	55
90W12A	16	-	-	-	-	853	53	1014	63	1004	63

OUTPUT MULTIPLIER	
CCT	CCT SCALE
2200K (Consult factory for JA8 details)	0.800
2700K	0.957
3000K	1.000
3500K	1.019
4000K	1.030

LIGHT LOSS FACTOR MULTIPLIER	
No Lens	
SFL	1.00
CGL	1.00
FGL	0.90
FSFL	0.87
FSL	0.83
SFL W/ LINEAR SPREAD	0.82
CGL W/ LINEAR SPREAD	0.82
HCL	0.65

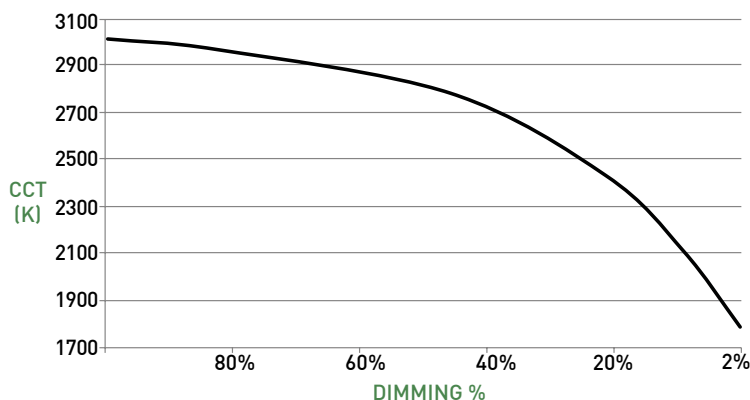


JA8-2019 INDICATED BY SHADING

## WARM DIM PERFORMANCE - SOFT FOCUS LENS - 60° OPTIC

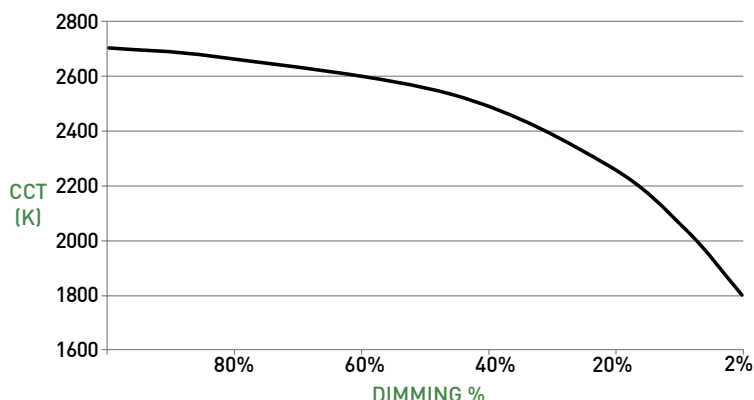
STANDARD WARM DIM PROFILE

90W12A 3000K - 1800K	Full on 100%	Dimmed to 80%	Dimmed to 70%	Dimmed to 50%	Dimmed to 20%	Dimmed to 10%	Dimmed to 2%
CCT (K)	3000	2950	2920	2775	2375	2000	1800
Light Output (Lm)	1004	803	702	502	200	100	20
Power (W)	14	11	10	7	3	1.5	0.3
Efficacy (LPW)	63	63	63	63	63	63	63



WARM DIM TO MIRROR INCANDESCENT DIMMING PROFILE

90W11A 2700K - 1800K	Full on 100%	Dimmed to 80%	Dimmed to 70%	Dimmed to 50%	Dimmed to 20%	Dimmed to 10%	Dimmed to 2%
CCT (K)	2700	2650	2620	2520	2180	1950	1800
Light Output (Lm)	893	714	625	446	178	89	17
Power (W)	16	13	11	8	3	1.7	0.3
Efficacy (LPW)	55	55	55	55	55	55	55

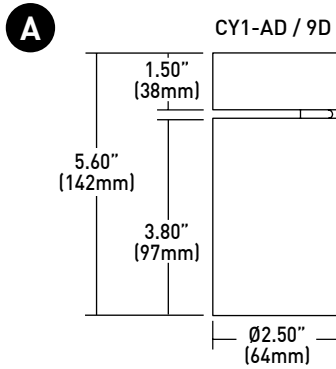


# CYLINDER 1 ADJUSTABLE SURFACE MOUNT

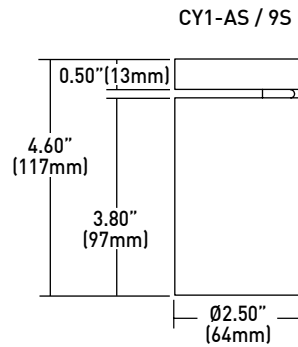
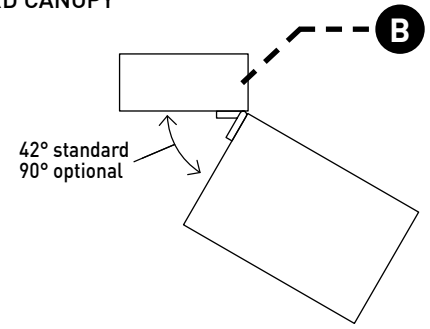
## CYLINDER ASSEMBLY

- A LUMINAIRE**  
Body with integrated heat sink and LED. Conceals hidden twist-on mounting hardware. Power supply may be integral or remote mount.
- B STANDARD CANOPY**  
Die-cast canopy accommodates flat and slope ceiling conditions. Conceals hidden twist-on mounting hardware. "AD" (42° tilt, 357° rotation) and "9D" (90° tilt, 357° rotation) canopy features 1.50" (38mm) tall canopy. Available with integral or remote driver.
- C SHALLOW CANOPY**  
Die-cast canopy accommodates flat and slope ceiling conditions. Conceals hidden twist-on mounting hardware. "AS" (42° tilt, 357° rotation) and "9S" (90° tilt, 357° rotation) canopy features 0.50" (13mm) tall canopy, reducing overall height. Requires remote power supply.
- D STANDARD OPTICS**  
Proprietary optics available in 10°, 15°, 20°, 40° & 60° beams.
- E EFFECTS DEVICE**  
Fixture body and accepts 1 lens; soft focus lens, no lens or wallwash lens standard. Sealed in place for Wet locations.
- F BAFFLE**  
Threaded removable cowling provides virtually seamless joint with fixture body.

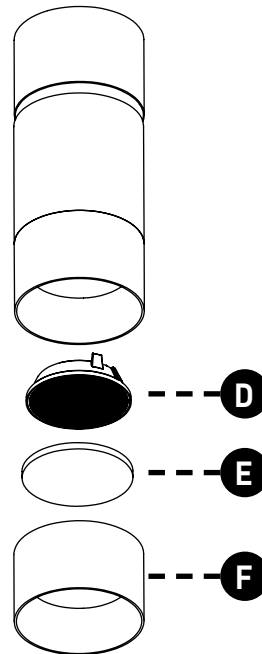
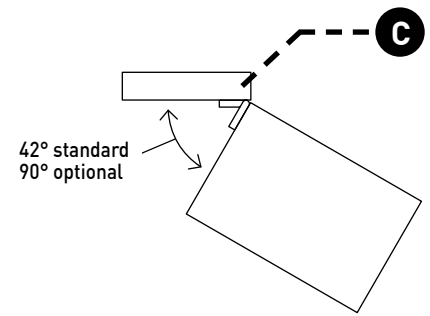
## DIMENSIONS / DRAWINGS



### STANDARD CANOPY



### SHALLOW CANOPY

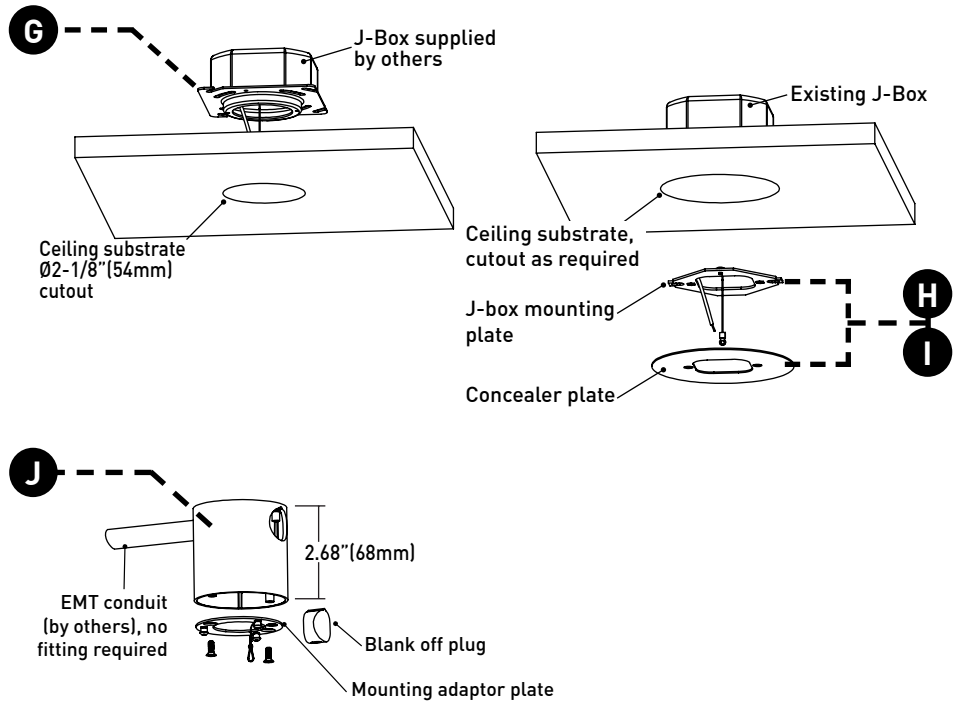


# CYLINDER 1 ADJUSTABLE SURFACE MOUNT

## MOUNTING

- G JBMP**  
Mounting plate (concealed) for standard 4" square or 4" 4/0 j-box . To be installed during rough-in, prior to substrate, for ceiling thicknesses up to 0.75". Fixture to mount flush with minimalist transition to ceiling.  
Part Number - CY1-JBMP
- H SMK3**  
Surface mount kit includes mounting plate and 4" concealer plate that installs between fixture and standard 3" 3/0 j-box for existing applications where standard j-box cutout is to be concealed.  
Part Number - CY1-SMK-3/0-(FINISH)
- I SMK4**  
Surface mount kit includes mounting plate and 5" concealer plate that installs between fixture and standard 4" 4/0 j-box for existing applications where standard j-box cutout is to be concealed.  
Part Number - CY1-SMK-4/0-(FINISH)
- J CMJB**  
Ceiling mount junction box perfectly matches the cylinder profile for a continuous, integrated look where exposed ceiling mount junction box and conduit applications apply. For use with 1/2" and 3/4" EMT conduit only. Features two conduit entrances on either side and one conduit knockout on top of j-box. J-box is IP10 rated; painted finishes only. Blank off plugs included.  
Part Number - CY1-CMJB-(FINISH)

## DIMENSIONS / DRAWINGS



## MOUNTING NOTES

- CY1-JBMP and CY1-SMK-3/0 & 4/0 not recommended for use with pancake style j-box.
- Fixtures are surface mount and must have access to free air. For applications involving slat ceilings or confined mounting, consult Comprehensive Install Guide for required clearances for proper air flow and servicing.

## REMOTE POWER SUPPLY

- K PS-RMT**  
Remote power supply provides additional driver options. Mounting device still required. Consult page 7 for maximum allowable secondary run lengths between PS-RMT and cylinder.

# CYLINDER 1 ADJUSTABLE SURFACE MOUNT

## TECHNICAL

### CONSTRUCTION

**Cylinder:** Die-cast aluminum body; extruded aluminum internal heat-sink; painted finishes are granulated powder coat.

**CMJB:** Die-cast aluminum body; painted finishes are granulated powder coat.

**Remote Power Supply:** 22 Gauge galvanized steel.

### STATIC WHITE LED

2-step MacAdam ellipse LED module available in 80+, 90+ and 97+ CRI configurations in color temperatures of 2200K, 2700K, 3000K, 3500K and 4000K. Average rated lamp life: 50,000 hours. LED and driver assemblies are field-replaceable.

### WARM DIM LED

3-step MacAdam ellipse warm dim LED module available in 90+ CRI configuration. 3000K or 2700K at full brightness, warming to 1800K at full dim. Average rated lamp life of 50,000 hours. LED and driver assemblies are field-replaceable.

### POWER SUPPLY PERFORMANCE AND DIMMING INFORMATION

Power Supply	CA3	CE3	TR2	L23	LH1	AN4	LN2	EA2	LA2	ED1	LD1
Minimum °C	-20 °C	-20 °C	-20 °C	0 °C	0 °C	-20 °C	-20 °C	-20 °C	-20 °C	-20 °C	-20 °C
Maximum °C	40 °C	40 °C	40 °C	40 °C	40 °C	40 °C	40 °C	40 °C	40 °C	40 °C	40 °C
Dimming %	2.0%	SEE NOTE	2.0%	1.0%	1.0%	1.0%	1.0%	0.1%	0.1%	0.1%	0.1%

CE3 Dimming: 80C12A, 90C10A and 97C09A feature 3% dimming. 80C19A, 90C15A and 97C14A feature 2% dimming.

Note: For TR2, L23, LH1, AN4, LN2, EA2 and LA2 drivers consult chart on page 8 to confirm appropriate dimming curve for compatibility with selected control.

### MAXIMUM ALLOWABLE REMOTE DRIVER WIRING DISTANCES

DRIVER	WIRE AWG				
	12	14	16	18	20
TR2, AN4, LN2	285'	180'	113'	71'	45'
L23, LH1	60'	40'	25'	15'	-
EA2, LA2, ED1, LD1	-	-	118'	72'	46'

### MOUNTING

Cylinder is supplied with a mounting adaptor plate, which integrates with required additional mounting accessories specified separately according to field application conditions, providing a minimalist transition from standard 4/0 or 4" square junction boxes and accommodating ceiling thicknesses of 0.44" (12mm) to 0.75" (19mm). Ceiling-mount junction box available for 1/2" (13mm) and 3/4" (19mm) conduit and feature concealed internal clamps for clean fitting-free conduit exit and entry.

### LISTING

cTUVus listed to UL1598 standard for Dry / Damp (IP14) and Wet (IP54) locations. Title 24 JA8-2019 Listed.

### DECLARE

LBC Declared.

### WEIGHT

Cylinder / Mounting - 2 lbs max

Remote Driver - 1.4 lbs

### LIMITED WARRANTY

Manufacturer's 1-year warranty guarantees product(s) listed to be free from defects in material and workmanship under normal use and service. 5-year warranty on LED and power supply to operate with 70% of the original flux and remain within a range of 3 duv. 10-year Lutron Advantage limited warranty available on Lutron equipped systems. Warranty period begins from the date of shipment by Seller and conditional upon the use of manufacturer-supplied power supply. Consult [website](#) for full warranty terms and conditions.

### CHANGE LOG

- 01/12/2021: ADDED 2200K, 2700K-1800K WARM DIM AND 10 DEGREE OPTIC OFFERINGS.
- 01/12/2021: ADDED ZERO-SIGHTLINE HOUSING MOUNTING OPTION.
- 04/26/2021: ADDED LP1 DRIVER OFFERING.
- 06/21/2022: ADDED SOFT FOCUS LENS W/ LINEAR SPREAD FILM, AND CLEAR GLASS LENS W/ LINEAR SPREAD FILM.
- 10/17/2022: REMOVED 90W13A 3200K-1800K WARM DIM AND ADDED 90W12A 3000K-1800K WARM DIM.
- 04/26/2023: ADDED DECLARE LBC APPROVED.

# CYLINDER 1 ADJUSTABLE SURFACE MOUNT

## DIMMING COMPATIBILITY

### PHILIPS DRIVER COMPATIBILITY

Power supply <b>TR2</b> Manufacturer	Family/Model #
Lutron Electronics	DV-600P
Lutron Electronics	DVELV-303P
Lutron Electronics	NTELV-600
Lutron Electronics	MAELV-600
Lutron Electronics	SELV-300P
Lutron Electronics	DVLV-600P
Lutron Electronics	NFTU-5A
Lutron Electronics	CTCL-153P
Lutron Electronics	GL-600H
Lutron Electronics	S-600P
Lutron Electronics	PHPM
Power supply <b>AN4 / LN2</b> Manufacturer	Family/Model #
Lutron Electronics	DVTV plus PP-DV
Lutron Electronics	DVSCV plus PP-DV
Lutron Electronics	DVSTV
Lutron Electronics	DVSCSTV
Lutron Electronics	QSGRJ-XP plus GRX-TVI
Lutron Electronics	QSGRJ-XE plus GRX-TVI
Lutron Electronics	QSGR-XE plus GRX-TVI
Lutron Electronics	NFTV plus PP-DV
Lutron Electronics	NTSTV
Lutron Electronics	RMJ-5T
Lutron Electronics	RMJS-8T
Lutron Electronics	FCJS-010
Leviton	IllumaTch IP7 series
Philips	Sunrise - SR1200ZTUNV

### LUTRON DRIVER COMPATIBILITY

Power supply <b>L23</b> Lutron Product Family	Part No.
Maestro WirelessR 600 W dimmer	MRF2-6ND-120-
Maestro WirelessR 1000 W dimmer	MRF2-10ND-120-
Caséta® Wireless Pro 1000 W dimmer	PD-10NXD-
GRAFIK T™ CL® dimmer	GT-250M-GTJ-250M-
HomeWorks® QS adaptive dimmer	HQRD-6NA-
HomeWorks® QS 600 W dimmer	HQRD-6ND-
HomeWorks® QS 1000 W dimmer	HQRD-10ND-
RadioRA® 2 adaptive dimmer	RRD-6NA-
RadioRA® 2 1000 W dimmer	RRD-10ND
myRoom™ DIN power module	MQSE-4A1-D
HomeWorks® QS DIN power module	LQSE-4A1-D
HomeWorks® QS wallbox power module	HQRJ-WPM-6D-120
HomeWorks® wallbox power module	HWI-WPM-6D-120
GRAFIK Eye® QS control unit	QSGR-, QSGRJ-
GRAFIK Eye® 3000 control unit	GRX-3100-GRX-3500-
RPM-4U module (LCP, HomeWorks® QS, GRAFIK Systems™, Quantum®)	HW-RPM-4U-120 LP-RPM-4U-120
RPM-4A module (LCP, HomeWorks® QS, GRAFIK Systems™, Quantum®)	HW-RPM-4A-120, LP-RPM-4A-120
GP dimming panels	Various
Ariadni CL 250W dimmer	AYCL-253P-
Diva CL 250W dimmer	DVCL-253P-DCSCCL-253P-
Nova T CL 250W dimmer	NTCL-250-
Power supply <b>LH1</b> Lutron Product Family	Part No.
PowPak Dimming Modules	RMJ-ECO32-DV-B
PowPak Dimming Modules	FCJ/FCJS-ECO
Energi Savr Nodes	QSN-1ECO-S
GRAFIK Eye QS control unit	QSN-2ECO-S
Homeworks QS control unit	QSGRJ- _E (wireless) QSGR- _E
Quantum Hub	QP2-__ 2C
Quantum Hub	QP2-__ 4C
Quantum Hub	QP2-__ 6C
Quantum Hub	QP2-__ 8C
Homeworks QS power module	LQSE-2ECO-D
myRoom Plus power module	

### eldoLED DRIVER COMPATIBILITY

Power supply <b>EA2 / LA2</b> Dimmer / Switch Control Manufacturer	Family/Model #
Busch-Jaeger	2112U-101
Jung	240-10
Leviton Lighting Controls	IP710-DLX
Lightolier Controls	ZP600FAM120
Lutron Electronics	Nova T® - NTFTV
Lutron Electronics	Div@® - DDTV
Lutron Electronics	Nova@® - NFTV
Merten	5729
Pass & Seymour	CD4FB-W
The Watt Stopper	DCLV1
Sensor Switch	nI0 EZ
Synergy	ISD BC
Power supply <b>EA2 / LA2</b> Lighting Control Systems Manufacturer	Family/Model #
Lutron Electronics	GrafixEye® GRX-TVI w GRX3503
Lutron Electronics	Energy Savr Node™ - QSN-4T16-S
Lutron Electronics	TVM2 Module
Crestron®	GLX-DIMFLV8
Crestron®	GLXP-DIMFLV8
Crestron®	GLPAC-DIMFLV4-*
Crestron®	GLPAC-DIMFLV8-*
Crestron®	GLPP-DIMFLVEX-PM
Crestron®	GLPP-1DIMFLV2EX-PM
Crestron®	GLPP-1DIMFLV3EX-PM
Crestron®	DIN-A08
Crestron®	DIN-4DIMFLV4
Crestron®	CLS-EXP-DIMFLV
Crestron®	CLCI-1DIMFLV2EX
ABB	SD/S 2.16.1

