

# TRACK HEAD INT CTM1 PENDANT

PROJECT NAME:	TYPE:
---------------	-------



Highlight art, objects, places, spaces, seating areas, and architectural details with a classic profile that offers easy-to-adjust, in-field versatility.

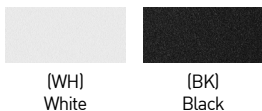
## ORDERING INFORMATION - TRACK HEAD

CYLINDER	FIXTURE	LENGTH	RATING	BODY FINISH	BAFFLE FINISH	ADAPTER FINISH	LUMEN PACKAGE	CCT	OPTIC (UGR)	DRIVER	MEDIA
CTM1	P		1							IE2	
CTM1 2.60"	P Pendant	<b>LENGTHS</b> XXXB Black Cable XXXW White Cable Specify cable length in whole inches (Max 180) e.g. specify 006B for a 6 inch black cable* Cable is field cuttable.	1 Dry	<b>POWDERCOAT</b> WH White BK Black <b>ALUMINA</b> 01 Brushed Obsidian 02 Matte Obsidian 03 Brushed Dark Patinated Bronze 04 Matte Dark Patinated Bronze 05 Brushed Aged Aluminum 06 Matte Aged Aluminum 07 Brushed Cast Brass 08 Matte Cast Brass 09 Brushed Light Patinated Bronze 10 Matte Light Patinated Bronze	<b>POWDERCOAT</b> WH White BK Black <b>ALUMINA</b> CONSULT FACTORY FOR ALUMINA FINISHES	WH White BK Black	<b>STATIC WHITE</b> 80S11A 80+ CRI, 11 Watts Lumens Delivered - 1095 90S11A 90+ CRI, 11 Watts Lumens Delivered - 941 97S11A 97+ CRI, 11 Watts Lumens Delivered - 826  <b>WARM DIM</b> 90W11A 90+ CRI, 11 Watts Incandescent Profile Lumens Delivered - 654 Halogen Profile Lumens Delivered - 658 SEE PAGE 2 FOR WARM DIM PROFILE COMPARISON.	24 2400K* * (90+ CRI only) 27 2700K 30 3000K 35 3500K 40 4000K  WL 2600K - 1800K WD 2900K - 1800K	10 10° (>19) 15 15° (<16) 20 20° (<10) 25 25° (<10) 40 40° (<10) 60 60° (>19)  20 20° (<10) 25 25° (<10) 40 40° (<10) 60 60° (>19)	<b>INTEGRAL</b> IE2 Electronic 3% ELV / TRIAC 220V-240V	<b>STANDARD MEDIA</b> 4 Soft Focus Lens* *(Required for 10" optic)  <b>ALTERNATE MEDIA</b> 2 Honeycomb Louver* *(Not available for Warm Dim) 3 Clear Glass Lens* *(Not available for Warm Dim) 5 Frosted Glass Lens 6 Frosted Soft Focus Lens 7 Frosted Linear Spread Lens S Soft Focus Lens w/ Honeycomb Louver F Frosted Glass Lens w/ Honeycomb Louver N No Lens* *(Not available for Warm Dim)

## PART NUMBER NOTES

- CTM1 ships as e.g., CTM1P048W1WHBK90S11A3040IE24W

## POWDERCOAT FINISHES



## ALUMINA FINISHES BY LUCIFER LIGHTING™



# TRACK HEAD INTCTM1 PENDANT

## ACCESSORIES

### ALTERNATE MEDIA

- HCL-CT1** Honeycomb Louver
- CGL-CT1** Clear Glass Lens
- SFL-CT1** Soft Focus Lens
- FGL-CT1** Frosted Glass Lens
- FSFL-CT1** Frosted Soft Focus Lens
- FLSL-CT1** Frosted Linear Spread Lens

### REPLACEMENT OPTICS

Interchangeable optics accessible by removing baffle.

#### Static White

- RO-50-15-S** 15° optic
- RO-50-20-S** 20° optic
- RO-50-25-S** 25° optic
- RO-50-40-S** 40° optic
- RO-50-60-S** 60° optic

#### Warm Dim

- RO-50-20-W** 20° optic
- RO-50-25-W** 25° optic
- RO-50-40-W** 40° optic
- RO-5X0-60-W** 60° optic

## STATIC WHITE PERFORMANCE - 3000K - SOFT FOCUS LENS

LUMEN PACKAGE	WATTAGE	10° OPTIC		15° OPTIC		20° OPTIC		25° OPTIC		40° OPTIC		60° OPTIC	
		NO SOFT FOCUS LENS	SOFT FOCUS LENS	NO SOFT FOCUS LENS	SOFT FOCUS LENS	NO SOFT FOCUS LENS	SOFT FOCUS LENS	NO SOFT FOCUS LENS	SOFT FOCUS LENS	NO SOFT FOCUS LENS	SOFT FOCUS LENS	NO SOFT FOCUS LENS	SOFT FOCUS LENS
		DELIVERED	LPW	DELIVERED	LPW	DELIVERED	LPW	DELIVERED	LPW	DELIVERED	LPW	DELIVERED	LPW
80S11A	11	454	41	991	90	1093	99	1095	100	1019	93	1145	104
90S11A	11	391	35	851	86	939	95	941	96	875	89	984	100
97S11A	11	337	30	747	68	824	75	826	75	768	70	864	79
90W11AL (2600K-1800K)	11	-	-	-	-	667	60	654	59	605	54	635	58
90W11AD (2900K-1800K)	11	-	-	-	-	661	60	658	59	600	54	640	58

### MEDIA LIGHT LOSS FACTOR

MEDIA	LIGHT LOSS FACTOR
No Lens	1.05
CGL	0.96
SFL	1.00
FGL	0.90
FSFL	0.84
FLSL	0.58
WDL	0.15
HCL	0.71
SFL W/ HCL	0.68
FGL W/ HCL	0.51

### UNIFIED GLARE RATING

10° OPTIC NO LENS	15° OPTIC SOFT FOCUS LENS	20° OPTIC SOFT FOCUS LENS	25° OPTIC SOFT FOCUS LENS	40° OPTIC SOFT FOCUS LENS	60° OPTIC SOFT FOCUS LENS
>19	<16	<10	<10	<10	<16

### OUTPUT MULTIPLIER

CCT	CCT SCALE
2400K	0.85
2700K	0.97
3000K	1.000
3500K	1.03
4000K	1.08

Part L

75+ LPW configurations comply with residential Part L  
95+ LPW configurations comply with commercial Part L

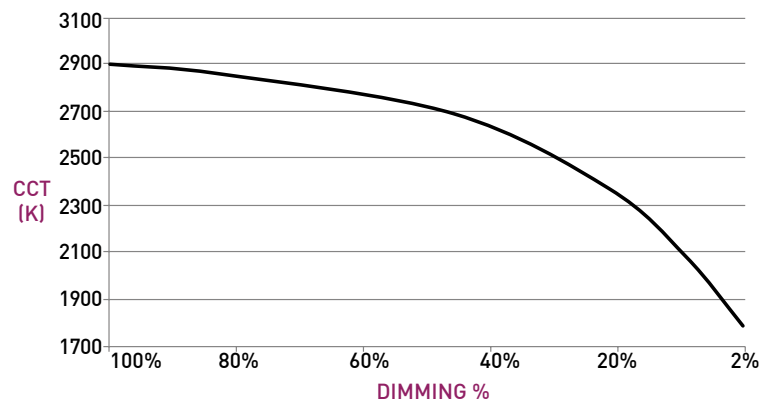
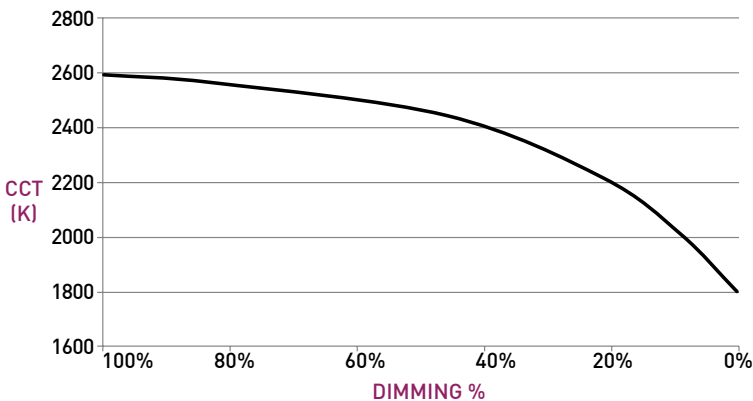
## WARM DIM PERFORMANCE - SOFT FOCUS LENS - 25° OPTIC

### INCANDESCENT DIMMING PROFILE

90W11AL 2600K - 1800K	Full on 100%	Dimmed to 80%	Dimmed to 70%	Dimmed to 50%	Dimmed to 20%	Dimmed to 10%	Dimmed to 2%
CCT (K)	2600	2550	2520	2450	2200	1925	1800
Light Output (Lm)	654	523	457	327	130	65	13
Power (W)	11	8.8	7.7	5.5	2.2	1.1	.22
Efficacy (LPW)	59	59	59	59	59	59	59

### HALOGEN WARM DIM PROFILE

90W11AD 2900K - 1800K	Full on 100%	Dimmed to 80%	Dimmed to 70%	Dimmed to 50%	Dimmed to 20%	Dimmed to 10%	Dimmed to 2%
CCT (K)	2900	2850	2800	2720	2350	1975	1800
Light Output (Lm)	658	526	460	329	131	65	13
Power (W)	11	8.8	7.7	5.5	2.2	1.1	.22
Efficacy (LPW)	59	59	59	59	59	59	59



# TRACK HEAD INTCTM1 PENDANT

## TRACK HEAD

### A TRACK ADAPTER

Proprietary asymmetric track adapter; compatible with Lucifer Lighting track only. Available in Black and White finishes to match track systems.

### B CABLE

Black and white cables available; up to 180.0" length; cable is field cuttable. Cable will need to be straightened upon completion of installation for optimal aesthetics.

### C BODY

Power supply integrated into fixture body. Available in powdercoat and Alumina finishes.

### D OPTICS

Robust light engine with optimized optic pairing integrates Reflection, Refraction, and TIR offering 10°, 15°, 20°, 25°, 40° & 60° beams.

### E LENS RETAINER

Accepts 2 media devices.

### F 10° FIELD REDUCER

Included with 10° optic. Reduces field angle by 30%.

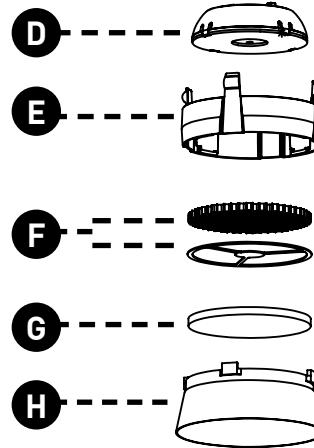
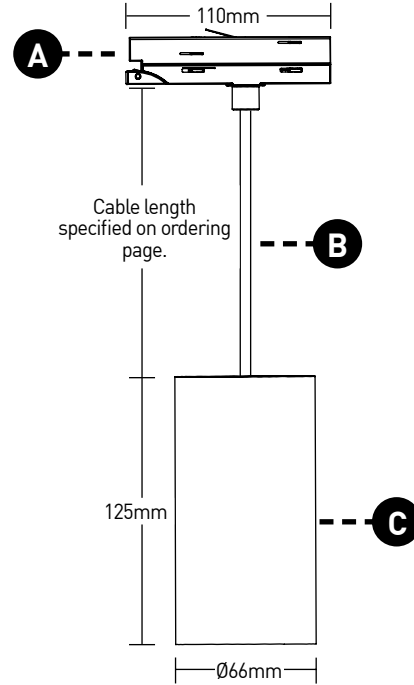
### G MEDIA

Soft Focus Lens standard. Wet location media sealed in place.

### H BAFFLE

Baffle minimizes aperture glare and conceals view into fixture. Powdercoat finishes standard, consult factory for Alumina finishes.

## DIMENSIONS / DRAWINGS



# TRACK HEAD INTCTM1 PENDANT

## TECHNICAL

### CONSTRUCTION

**Track Head:** Machined aluminum body; painted finishes are granulated powder coat; Alumina finishes are anodized aluminum.

### STATIC WHITE LED

2-step MacAdam ellipse LED module available in 80+, 90+ and 97+ CRI configurations in color temperatures of 2700K, 3000K, 3500K and 4000K. 3-step MacAdam ellipse LED module available in 90+ CRI configuration in color temperature of 2400K. Average rated lamp life of 50,000 hours.

### WARM DIM LED

3-step MacAdam ellipse warm dim LED module available in 90+ CRI configuration. 2900K or 2600K at full brightness, warming to 1800K at full dim. Average rated lamp life of 50,000 hours.

### POWER SUPPLY PERFORMANCE AND DIMMING INFORMATION

Power Supply	CE3
Minimum °C	-20 °C
Maximum °C	40 °C
Dimming %	3.0%

### MOUNTING

Cylinder track head mounts to Lucifer Lighting Company recessed, surface or pendant mount track assemblies, specified separately.

### LISTING

Track heads and drivers CE Listed for dry locations. Drivers ENEC and CB Listed.

### PART L

Part L compliant for all 75+ LPW residential and 95+ LPW commercial configurations.

### LIMITED WARRANTY

Manufacturer's Limited Warranty guarantees product(s) listed to be free from defects in material and workmanship under normal use and service for 1-year. LED and power supplies are warranted to operate with 70% of original flux and remain within a range of 3 duv for a period of 5-years. Warranty period begins from the date of shipment by Seller. [Consult website for full warranty terms and conditions.](#)

### CHANGE LOG

- 1.05/12/2023: ADDED LBC RED LIST APPROVED.
- 2.08/08/2023: ADDED NEW LED AND OPTIC SYSTEM.
- 3.02/08/2024: ADDED 2400K AND WARM DIM OFFERINGS.
- 4.2/15/2024: PART L COMPLIANCE ADDED.
- 5.03/18/2024: UPDATED 10 DEGREE NARROW BEAM TO UTILIZE FIELD REDUCER.