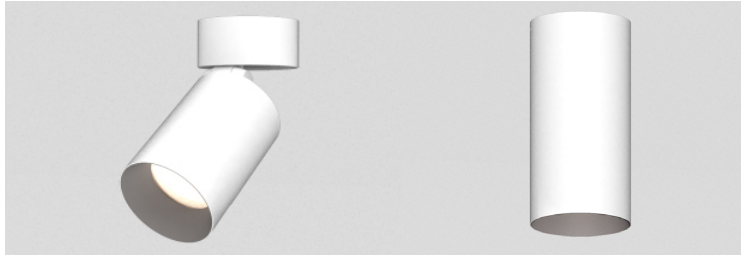


# CYLINDER CY4

## SURFACE MOUNT

Highlight art, objects, places, spaces, seating areas, and architectural details with a classic profile that offers easy-to-adjust, in-field versatility.

PROJECT NAME:	TYPE:
---------------	-------



### ORDERING INFORMATION



JA8-2022 COMPLIANCE INDICATED BY SHADING

CYLINDER	FIXTURE	RATING	CYLINDER FINISH	BAFFLE FINISH	CRI / WATTAGE PACKAGE	OCT	OPTIC(UGR)	DRIVER	MEDIA	MOUNTING
<b>CY4</b>										
CY4 4.90"	AD Standard 90°	1 Dry/Damp (IP30) 2 Wet (IP55)	WH White	WH White	<b>STATIC WHITE</b> <b>80S30E</b> 80+ CRI, 30 Watts AD/FB Dlvd. Lumens - 3104 WW Dlvd. Lumens - 3068 <b>80S41E</b> 80+ CRI, 41 Watts AD/FB Dlvd. Lumens - 4056 WW Dlvd. Lumens - 4042 <b>80S51E</b> 80+ CRI, 51 Watts AD/FB Dlvd. Lumens - 4851 WW Dlvd. Lumens - 4852 <b>90S30E</b> 90+ CRI, 30 Watts AD/FB Dlvd. Lumens - 2667 WW Dlvd. Lumens - 2636 <b>90S41E</b> 90+ CRI, 41 Watts AD/FB Dlvd. Lumens - 3484 WW Dlvd. Lumens - 3472 <b>90S51E</b> 90+ CRI, 51 Watts AD/FB Dlvd. Lumens - 4167 WW Dlvd. Lumens - 4168 <b>97S30E</b> 90+ CRI, 30 Watts AD/FB Dlvd. Lumens - 2342 WW Dlvd. Lumens - 2314 <b>97S41E</b> 90+ CRI, 41 Watts AD/FB Dlvd. Lumens - 3059 WW Dlvd. Lumens - 3048 <b>97S51E</b> 90+ CRI, 51 Watts AD/FB Dlvd. Lumens - 3659 WW Dlvd. Lumens - 3659	27 2700K 30 3000K 35 3500K 40 4000K	15 15° (<10) 25 25° (<10) 40 40° (<10) 60 60° (<16) WW Wallwash Optic* (<16) *(Required for Wallwash fixtures)	<b>INTEGRAL</b> <b>1PH</b> 120V 1% ELV/TRIAC <b>1SG</b> 120 or 277V 1% 0-10V Analog, LOG <b>1SN</b> 120 or 277V 1% 0-10V Analog, LIN <b>REMOTE (120V)</b> <b>1L2</b> Lutron, Hi-Lume 1% 2-Wire * *(Not available for 51W packages) <b>REMOTE (120-277V)</b> <b>1LH</b> Lutron, Hi-Lume 1% Ecosystem * *(Not available for 51W packages) <b>1EG</b> eldoLED, SOLdrive 0.1% 0-10V, LOG <b>1EN</b> eldoLED, SOLdrive 0.1% 0-10V, LIN <b>1ED</b> eldoLED, SOLdrive 0.1% DALI, LOG	<b>STANDARD MEDIA</b> <b>4</b> Soft Focus Lens <b>W</b> Wallwash Lens* *(Required for Wallwash fixtures) <b>OPTIONAL MEDIA</b> <b>0</b> No Lens* *(Not available for Wet locations) <b>2</b> Honeycomb Louver* *(Not available for Wet locations) <b>3</b> Clear Glass Lens <b>5</b> Frosted Glass Lens <b>6</b> Frosted Soft Focus Lens <b>7</b> Frosted Linear Spread Lens	<b>JBOX</b> Standard, J-Box Surface Mounting Plate <b>CMJB</b> 1/2" and 3/4" Conduit Ceiling Mount Junction Box* *(Not available for Wet locations)
	FB Fixed Body		AG Satin Silver	AG Satin Silver						
WW Wallwash	AB Architectural Bronze	AU Cashmere Gold	<b>80S30E</b> 80+ CRI, 30 Watts AD/FB Dlvd. Lumens - 3104 WW Dlvd. Lumens - 3068 <b>80S41E</b> 80+ CRI, 41 Watts AD/FB Dlvd. Lumens - 4056 WW Dlvd. Lumens - 4042 <b>80S51E</b> 80+ CRI, 51 Watts AD/FB Dlvd. Lumens - 4851 WW Dlvd. Lumens - 4852 <b>90S30E</b> 90+ CRI, 30 Watts AD/FB Dlvd. Lumens - 2667 WW Dlvd. Lumens - 2636 <b>90S41E</b> 90+ CRI, 41 Watts AD/FB Dlvd. Lumens - 3484 WW Dlvd. Lumens - 3472 <b>90S51E</b> 90+ CRI, 51 Watts AD/FB Dlvd. Lumens - 4167 WW Dlvd. Lumens - 4168 <b>97S30E</b> 90+ CRI, 30 Watts AD/FB Dlvd. Lumens - 2342 WW Dlvd. Lumens - 2314 <b>97S41E</b> 90+ CRI, 41 Watts AD/FB Dlvd. Lumens - 3059 WW Dlvd. Lumens - 3048 <b>97S51E</b> 90+ CRI, 51 Watts AD/FB Dlvd. Lumens - 3659 WW Dlvd. Lumens - 3659	<b>*ALL DELIVERED LUMEN OUTPUTS AND T24 COMPLIANCE REFLECT 3000K PAIRED WITH 40° OR WW OPTIC OR AND STANDARD MEDIA.</b>	<b>*SEE PAGE 3 FOR UGR RATINGS</b>	<b>*ALL MEDIA T24 COMPLIANT FOR STATIC WHITE.</b>				
	CF Custom Finish* *(Consult Factory)	AB Architectural Bronze	BK Black				<b>80S30E</b> 80+ CRI, 30 Watts AD/FB Dlvd. Lumens - 3104 WW Dlvd. Lumens - 3068 <b>80S41E</b> 80+ CRI, 41 Watts AD/FB Dlvd. Lumens - 4056 WW Dlvd. Lumens - 4042 <b>80S51E</b> 80+ CRI, 51 Watts AD/FB Dlvd. Lumens - 4851 WW Dlvd. Lumens - 4852 <b>90S30E</b> 90+ CRI, 30 Watts AD/FB Dlvd. Lumens - 2667 WW Dlvd. Lumens - 2636 <b>90S41E</b> 90+ CRI, 41 Watts AD/FB Dlvd. Lumens - 3484 WW Dlvd. Lumens - 3472 <b>90S51E</b> 90+ CRI, 51 Watts AD/FB Dlvd. Lumens - 4167 WW Dlvd. Lumens - 4168 <b>97S30E</b> 90+ CRI, 30 Watts AD/FB Dlvd. Lumens - 2342 WW Dlvd. Lumens - 2314 <b>97S41E</b> 90+ CRI, 41 Watts AD/FB Dlvd. Lumens - 3059 WW Dlvd. Lumens - 3048 <b>97S51E</b> 90+ CRI, 51 Watts AD/FB Dlvd. Lumens - 3659 WW Dlvd. Lumens - 3659	<b>*ALL DELIVERED LUMEN OUTPUTS AND T24 COMPLIANCE REFLECT 3000K PAIRED WITH 40° OR WW OPTIC OR AND STANDARD MEDIA.</b>	<b>*SEE PAGE 3 FOR UGR RATINGS</b>	<b>*ALL MEDIA T24 COMPLIANT FOR STATIC WHITE.</b>
		CF Custom Finish* *(Consult Factory)	CF Custom Finish* *(Consult Factory)	<b>80S30E</b> 80+ CRI, 30 Watts AD/FB Dlvd. Lumens - 3104 WW Dlvd. Lumens - 3068 <b>80S41E</b> 80+ CRI, 41 Watts AD/FB Dlvd. Lumens - 4056 WW Dlvd. Lumens - 4042 <b>80S51E</b> 80+ CRI, 51 Watts AD/FB Dlvd. Lumens - 4851 WW Dlvd. Lumens - 4852 <b>90S30E</b> 90+ CRI, 30 Watts AD/FB Dlvd. Lumens - 2667 WW Dlvd. Lumens - 2636 <b>90S41E</b> 90+ CRI, 41 Watts AD/FB Dlvd. Lumens - 3484 WW Dlvd. Lumens - 3472 <b>90S51E</b> 90+ CRI, 51 Watts AD/FB Dlvd. Lumens - 4167 WW Dlvd. Lumens - 4168 <b>97S30E</b> 90+ CRI, 30 Watts AD/FB Dlvd. Lumens - 2342 WW Dlvd. Lumens - 2314 <b>97S41E</b> 90+ CRI, 41 Watts AD/FB Dlvd. Lumens - 3059 WW Dlvd. Lumens - 3048 <b>97S51E</b> 90+ CRI, 51 Watts AD/FB Dlvd. Lumens - 3659 WW Dlvd. Lumens - 3659	<b>*ALL DELIVERED LUMEN OUTPUTS AND T24 COMPLIANCE REFLECT 3000K PAIRED WITH 40° OR WW OPTIC OR AND STANDARD MEDIA.</b>	<b>*SEE PAGE 3 FOR UGR RATINGS</b>	<b>*ALL MEDIA T24 COMPLIANT FOR STATIC WHITE.</b>			



### PART NUMBER NOTES

- CY4-AD ships as e.g., CY4AD1WHBK90S30A341SG\*4
- CY4-FB ships as e.g., CY4FB1WHBK80S30A441SG\*4
- CY4-WW ships as e.g., CY4WW1WHBK90S30A35SG\*W
- Remote driver ships as e.g., PSCY4-RMT-90C-29B-LH\*
- CMJB ships as CY4-CMJB-(finish)



**Declare.**

# CYLINDER CY4 SURFACE MOUNT

## ACCESSORIES

### ALTERNATE EFFECTS DEVICES

- HCL-CY4-01** Honeycomb Louver \*  
\*(Not available for Wet location)
- CGL-CY4-01** Clear Glass Lens
- SFL-CY4-01** Soft Focus Lens
- FGL-CY4-01** Frosted Glass Lens
- FSFL-CY4-01** Frosted Soft Focus Lens
- FLSL-CY4-01** Frosted Linear Spread Lens

### REPLACEMENT OPTIC ASSEMBLIES

- RO-90-15** 15° optic
- RO-90-20** 20° optic
- RO-90-25** 25° optic
- RO-90-40** 40° optic
- RO-90-60** 60° optic
- RO-90-WW** Wallwash optic

### EMERGENCY LIGHTING - REMOTE MOUNT ONLY

- EMB-S-100-120-LEDX** 100 watt max capacity, 120 VAC 60Hz, 0-10V Dimmable
- EMB-S-100-277-LEDX** 100 watt max capacity, 277 VAC 60Hz, 0-10V Dimmable
- EMB-S-250-120/277-LEDX** 250 watt max capacity, 120 or 277 VAC 60Hz, 0-10V Dimmable

During disruption of main power, emergency battery inverter provides temporary 120V or 277V to fixture.

## PERFORMANCE - 3000K - STANDARD EFFECTS DEVICE

LUMEN PACKAGE	WATTAGE	15° OPTIC		25° OPTIC		40° OPTIC		60° OPTIC		WALLWASH OPTIC	
		DELIVERED	LPW	DELIVERED	LPW	DELIVERED	LPW	DELIVERED	LPW	DELIVERED	LPW
80S30E	30	3193	106	3030	101	3104	103	2930	98	3068	102
80S41E	41	4272	104	3930	96	4056	99	3825	93	4042	99
80S51E	51	5073	99	4717	92	4851	95	4590	90	4852	95
90S30E	30	2743	91	2603	87	2667	89	2517	84	2636	88
90S41E	41	3670	90	3376	82	3484	85	3286	80	3472	85
90S51E	51	4358	85	4052	79	4167	82	3943	77	4168	82
97S30E	30	2408	80	2285	76	2342	78	2210	74	2314	77
97S41E	41	3222	79	2964	72	3059	75	2885	70	3048	74
97S51E	51	3826	75	3558	70	3659	72	3462	68	3659	72
90T30B	30	2313	77	2197	73	2331	74	2110	70	2205	74
90T39B	39	2827	72	2720	70	2770	71	2628	67	2778	71

### UNIFIED GLARE RATING

15° OPTIC SOFT FOCUS LENS	25° OPTIC SOFT FOCUS LENS	40° OPTIC SOFT FOCUS LENS	60° OPTIC SOFT FOCUS LENS	WALLWASH OPTIC
<10	<10	<10	<16	<16



JA8-2022 INDICATED BY SHADING

### OUTPUT MULTIPLIER

CCT	CCT SCALE
2700K	0.97
3000K	1.00
3500K	1.03
4000K	1.08

### MEDIA LIGHT LOSS FACTOR

MEDIA	LIGHT LOSS FACTOR
NO LENS	1.05
CGL	1.00
SFL	1.00
FGL	0.89
FSFL	0.87
FLSL	0.82
HCL	0.65

### TUNABLE WHITE MULTIPLIER

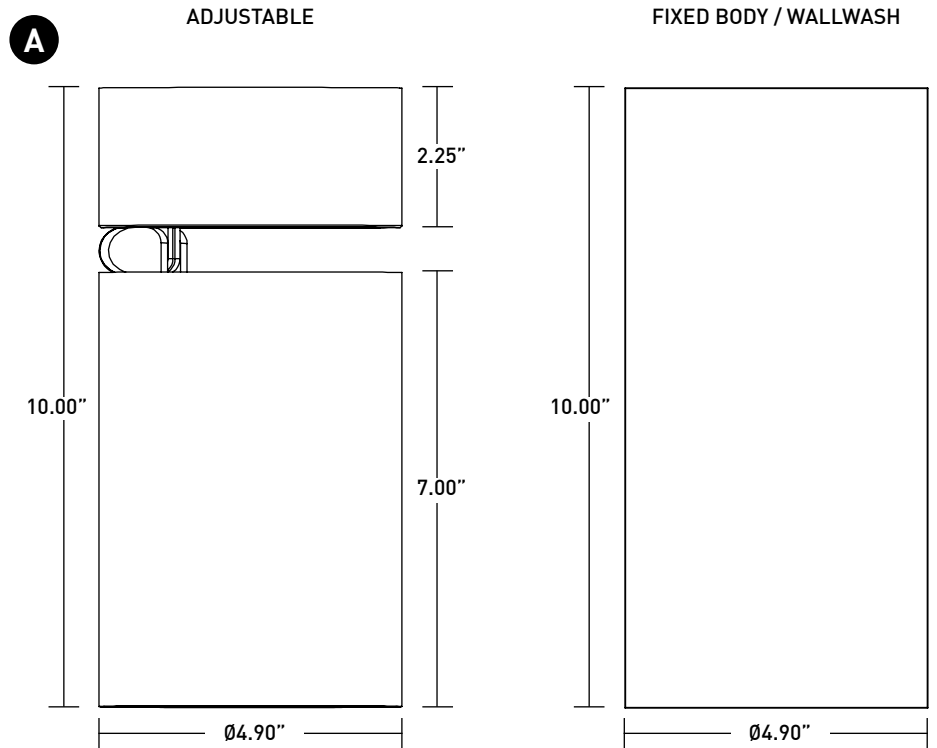
CCT	50K-27K
5000K	1.16
4000K	1.08
3500K	1.04
3000K	1.00
2700K	0.96

# CYLINDER CY4 SURFACE MOUNT

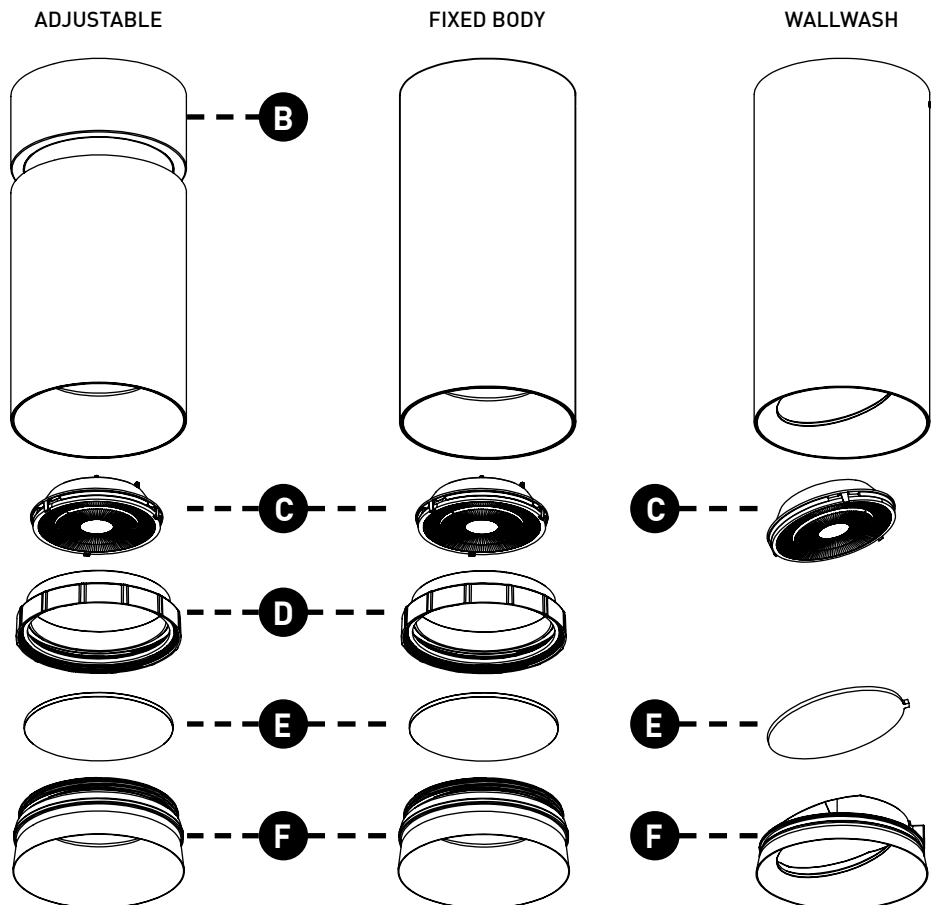
## FIXTURE

- A LUMINAIRE**  
Body with integrated heat sink and LED. Power supply may be integral or remote mount.
- B ADJUSTABLE CANOPY**  
Die-cast canopy accommodates flat and sloped ceiling conditions. Conceals hidden twist-on mounting hardware. Features 90° tilt and 2.25" tall canopy.
- C ADJUSTABLE AND FIXED BODY OPTIC**  
Robust light engine with optimized optic pairing integrates Reflection, Refraction and TIR offering 15°, 25°, 40° & 60° beams.
- WALLWASH OPTIC**  
Robust light engine with precision tuned kick reflector and optic provide uniform wallwashing effect.
- D ADJUSTABLE AND FIXED BODY LENS RETAINER**  
Threaded lens retainer attaches to baffle and accommodates up to two media.
- E ADJUSTABLE AND FIXED BODY MEDIA**  
Soft focus lens standard. Media is field-changeable in Dry/Damp and Wet locations.
- WALLWASH MEDIA**  
Wallwash lens is fixed to baffle and not field changeable.
- F BAFFLE**  
Die-cast baffle minimizes aperture glare and conceals view into fixture.

## DIMENSIONS / DRAWINGS



Fixture Weight - 6.0 lbs



# CYLINDER CY4 SURFACE MOUNT

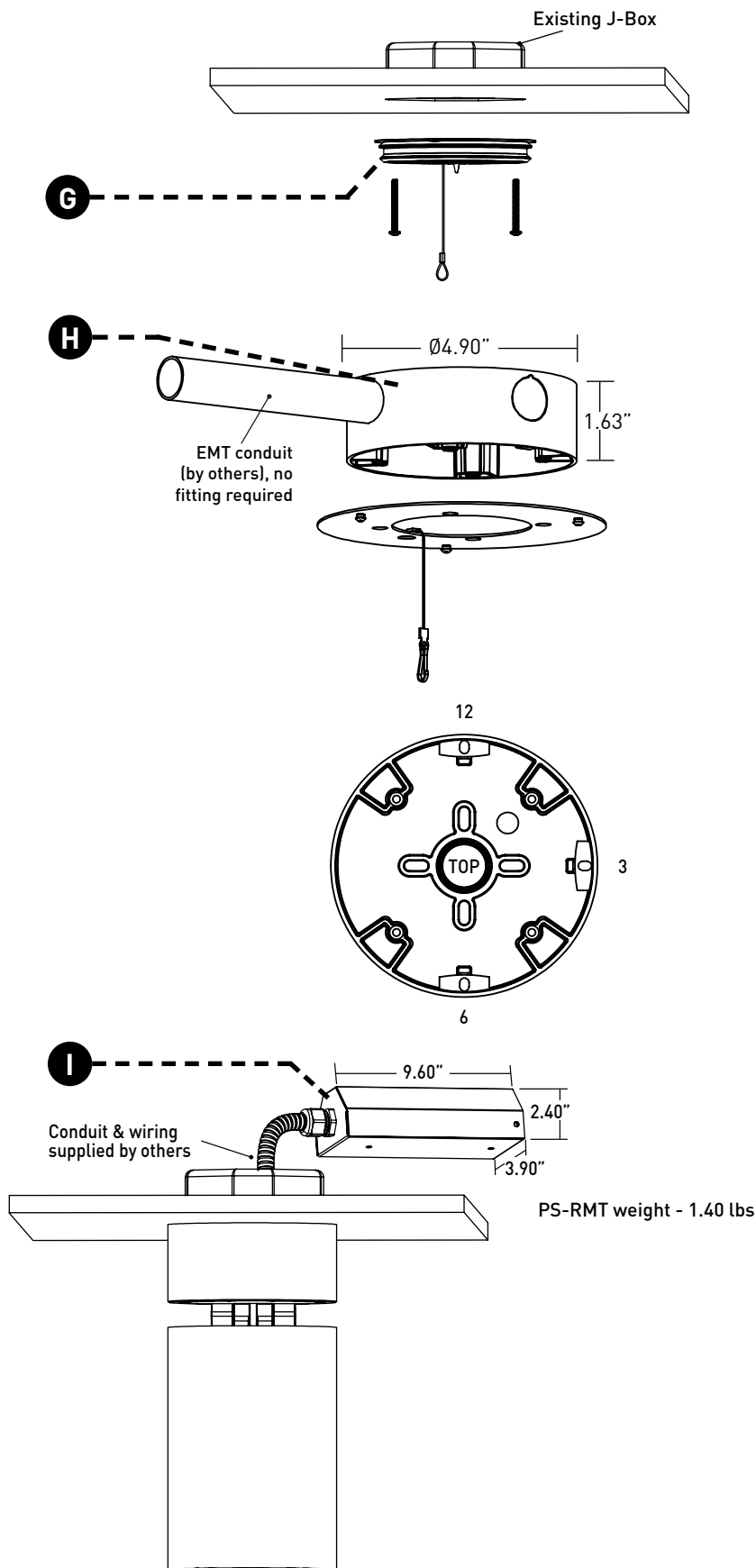
## MOUNTING

- G MOUNTING ADAPTOR**  
Mounting adaptor (concealed) for standard 3/0 and 4/0 j-boxes. Surface mounted, does not require installation prior to rough-in. Fixture mounts flush with minimalist transition to ceiling.
- H CMJB**  
Ceiling mount junction box perfectly matches the cylinder profile for a continuous, integrated look where exposed ceiling mount junction box and conduit applications apply. For use with 1/2" and 3/4" EMT conduit only. Features three conduit entrances at 12, 3, and 6 o'clock plus one conduit knockout on top. Painted finishes only. Blank off plugs included.

## REMOTE POWER SUPPLY

- I PS-RMT**  
Do not install in environments where ambient temperatures exceed 35°C (95°F). Remote power supply provides additional driver options. Mounting device still required. Consult install guide for maximum allowable secondary run lengths between PS-RMT and fixture.

## DIMENSIONS / DRAWINGS



# CYLINDER CY4 SURFACE MOUNT

## TECHNICAL

### CONSTRUCTION

**Cylinder:** Machined aluminum body; extruded aluminum internal heat-sink; painted finishes are granulated powder coat.

**CMJB:** Die-cast aluminum body; painted finishes are granulated powder coat.

**Remote Power Supply:** 22 Gauge galvanized steel.

### LED

2-step MacAdam ellipse LED module available in 80+, 90+ and 97+ CRI configurations in color temperatures of 2700K, 3000K, 3500K and 4000K. Average rated lamp life of 50,000 hours. LED and driver assemblies are field-replaceable.

### TUNABLE WHITE LED

3-step MacAdam ellipse tunable white LED module available in 90+ CRI configuration. Features tuning range of 2700K to 5000K. Average rated lamp life: 50,000 hours. Driver assembly is field-replaceable.

### POWER SUPPLY PERFORMANCE AND DIMMING INFORMATION

Power Supply	1PH	1SG	1SN	1L2	1LH	1EG	1EN	1ED	1DD	1DG	1DN
Minimum °C	-10 °C	-10 °C	-10 °C	0 °C	0 °C	-20 °C	-20 °C	-20 °C	-20 °C	-20 °C	-20 °C
Maximum °C	40 °C	40 °C	40 °C	40 °C	40 °C	40 °C	40 °C	40 °C	40 °C	40 °C	40 °C
Dimming %	1.0%	1.0%	1.0%	1.0%	1.0%	0.1%	0.1%	0.1%	0.1%	0.1%	0.1%

Note: 1L2, 1LH, 1EG and 1EN drivers consult chart on page 6 to confirm appropriate dimming curve for compatibility with selected control.

### MAXIMUM ALLOWABLE REMOTE DRIVER WIRING DISTANCES

DRIVER	WIRE AWG				
	12	14	16	18	20
PH,SG,SN	285'	180'	113'	71'	45'
L2, LH	60'	40'	25'	15'	-
EG, EN, ED, DG, DN, DD	-	-	118'	72'	46'

### MOUNTING

Cylinder is supplied with a mounting adaptor, which integrates with standard 3/0 or 4/0 junction boxes. Ceiling-mount junction box available for 1/2" (13mm) and 3/4" (19mm) conduit and features concealed internal clamps for clean fitting-free conduit exit and entry.

### WALLWASH SPACING

Recommended fixture spacing is 48" on center with 48" setback from wall plane.

### LISTING

cTUVus listed to UL1598 standard for Dry / Damp and Wet locations. IP30 (Dry/Damp) rated at IEC60598 and IP55 (Wet) rated at IEC60529.

Title 24 JA8-2022 Listed.

NEMA 410 compliant.

### BUY AMERICAN ACT

All CY4 configurations are Buy American Act compliant.

### DECLARE

LBC Red List Approved.

### WEIGHT

Adjustable - 5.4 lbs max

Fixed / Wallwash - 6 lbs max

Remote Driver - 1.4 lbs

### LIMITED WARRANTY

Manufacturer's 1-year warranty guarantees product(s) listed to be free from defects in material and workmanship under normal use and service. 5-year warranty on LED and power supply to operate with 70% of the original flux and remain within a range of 3 div. 10-year Lutron Advantage limited warranty available on Lutron equipped systems. Warranty period begins from the date of shipment by Seller. Consult [website](#) for full warranty terms and conditions.

### CHANGE LOG

1. 01/06/2022: ADDED TITLE 24 JA8-2022 LISTING.

2. 04/26/2023: ADDED DECLARE LBC RED LIST APPROVED.

3. 08/08/2023: ADDED NEW LED AND OPTIC SYSTEM.

# CYLINDER CY4 SURFACE MOUNT

## DIMMING COMPATIBILITY

### LUTRON DRIVER COMPATIBILITY

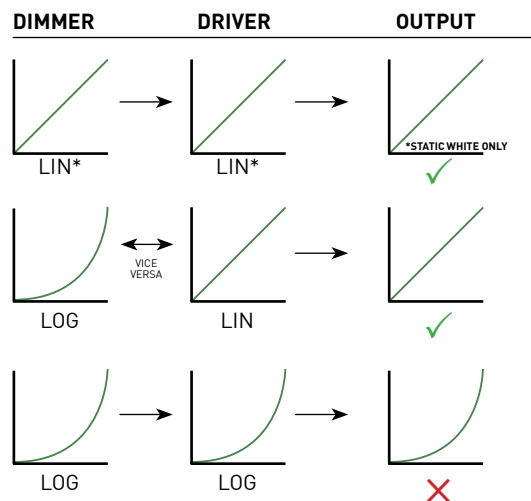
Power supply <b>1L2</b> Lutron Product Family	Part No.
Maestro WirelessR 600 W dimmer	MRF2-6ND-120-
Maestro WirelessR 1000 W dimmer	MRF2-10ND-120-
Caséta® Wireless Pro 1000 W dimmer	PD-10NXD-
GRAFIK T™ CL® dimmer	GT-250M-GTJ-250M-
HomeWorks® QS adaptive dimmer	HQRD-6NA-
HomeWorks® QS 600 W dimmer	HQRD-6ND-
HomeWorks® QS 1000 W dimmer	HQRD-10ND-
RadioRA® 2 adaptive dimmer	RRD-6NA-
RadioRA® 2 1000 W dimmer	RRD-10ND
myRoom™ DIN power module	MQSE-4A1-D
HomeWorks® QS DIN power module	LQSE-4A1-D
HomeWorks® QS wallbox power module	HQRJ-WPM-6D-120
HomeWorks® wallbox power module	HWI-WPM-6D-120
GRAFIK Eye® QS control unit	QSGR-, QSGRJ-
GRAFIK Eye® 3000 control unit	GRX-3100-GRX-3500-
RPM-4U module (LCP, HomeWorks® QS, GRAFIK Systems™, Quantum®)	HW-RPM-4U-120 LP-RPM-4U-120
RPM-4A module (LCP, HomeWorks® QS, GRAFIK Systems™, Quantum®)	HW-RPM-4A-120, LP-RPM-4A-120
GP dimming panels	Various
Ariadni CL 250W dimmer	AYCL-253P-
Diva CL 250W dimmer	DVCL-253P-DCSCCL-253P-
Nova T CL 250W dimmer	NTCL-250-
Power supply <b>1LH</b> Lutron Product Family	Part No.
PowPak Dimming Modules	RMJ-ECO32-DV-B
PowPak Dimming Modules	FCJ/FCJS-ECO
Energi Savr Nodes	QSN-1ECO-S
GRAFIK Eye QS control unit	QSN-2ECO-S
Homeworks QS control unit	QSN-2ECO-S
GRAFIK Eye QS control unit	QSGRJ- _E (wireless)
Homeworks QS control unit	QSGR- _E
Quantum Hub	QP2-__ _2C
Quantum Hub	QP2-__ _4C
Quantum Hub	QP2-__ _6C
Quantum Hub	QP2-__ _8C
Homeworks QS power module	LQSE-2ECO-D
myRoom Plus power module	



### eldoLED DRIVER COMPATIBILITY

Power supply <b>EA2</b> Manufacturer	Family/Model #
Busch-Jaeger	2112U-101
Jung	240-10
Leviton Lighting Controls	IP710-DLX
Lightolier Controls	ZP600FAM120
Merten	5729
Pass & Seymour	CD4FB-W
The Watt Stopper	DCLV1
Synergy	ISD BC
Crestron®	GLX-DIMFLV8
Crestron®	GLXP-DIMFLV8
Crestron®	GLPAC-DIMFLV4-*
Crestron®	GLPAC-DIMFLV8-*
Crestron®	GLPP-DIMFLVEX-PM
Crestron®	GLPP-1DIMFLV2EX-PM
Crestron®	GLPP-1DIMFLV3EX-PM
Crestron®	DIN-A08
Crestron®	DIN-4DIMFLV4
Crestron®	CLS-EXP-DIMFLV
Crestron®	CLCI-1DIMFLV2EX
Power supply <b>LA2</b> Manufacturer	Family/Model #
Lutron Electronics	Nova T® - NTFTV
Lutron Electronics	Diva® - DDTV
Lutron Electronics	Nova® - NFTV
Lutron Electronics	GrafixEye® GRX-TVI w GRX3503
Lutron Electronics	Energy Savr Node™ - QSN-4T16-S
Lutron Electronics	TVM2 Module
Sensor Switch	nIO EZ
ABB	SD/S 2.16.1

### ANALOG DRIVERS AND DIMMERS



LIN = LINEAR  
 LOG = LOGARITHMIC  
 \*LIN-TO-LIN NOT COMPATIBLE FOR WARM-DIM