

2 SERIES LED SHALLOW REGRESS

High-output, low profile, and infinite adjustment -- these small aperture downlights make elegant design statements in discerning residential, retail, and hospitality environments.

PROJECT NAME: **TYPE:**



ORDERING INFORMATION



Quick Ship Product. All rough in components ship within 10 days up to quantities of 100.



JA8-2022 INDICATED BY SHADING

TRIM	RATING	FLANGE FINISH	CRI / WATTAGE PACKAGE	CCT	OPTIC (UGR)	INSTALL TYPE	CEILING THICKNESS	POWER SUPPLY	MEDIA	FLANGE CONFIGURATION																			
2RS Round Expanded Shallow 2PS Round Pinhole Shallow 2SS Square Expanded Shallow	1 Dry / Damp 2 Wet* <small>*(Lens sealed in place)</small>	WH White AG Satin Silver IG Industrial Gray AU Cashmere Gold AB Arch Bronze BB Burnt Bronze BK Black SS Stainless Steel* CH Chrome* MB Matte Bronze* PB Polished Bronze* PR Primer CF Custom* <small>*[Increased lead time]</small> <small>*[Consult Factory]</small>	LOW FLUX STATIC WHITE 3.73" TALL HOUSING	24 2400K* <small>*(90+ CRI only, 15W max)</small>	10 10° (<13) 15 15° (<13) 20 20° (<13) 25 25° (<13) 30 2700K 35 3000K 40 4000K <small>*(Not recommended for 2PS)</small>	<ul style="list-style-type: none"> Ⓜ Housing Ⓜ W/ Integral Driver (HB) NC NIC IC IC AT IC, Airtight* <small>*[CCEA, Airtight and Title 24 compliant housing]</small> Ⓜ Housing Ⓜ W/ Remote Driver (HR) NR NIC, Remote IR IC, Remote AR IC, Airtight, Remote* <small>*[CCEA, Airtight and Title 24 compliant housing]</small> Remodel RM Remodel RR Remote-Remodel 	<ul style="list-style-type: none"> 0 0.125" - 0.49"* <small>*[RM, RR Install Types only]</small> 1 0.50" - 0.75" 2 0.76" - 1.25" 3 1.26" - 2.00" 4 2.01" - 3.00" 	(120V) TR2 Philips, 2% Forward/Reverse L23 Lutron, Hi-Lume 1% 2-Wire (120-277V) LH1 Lutron, Hi-Lume 1% Ecosystem LP1 Lutron, Premier 0.1% Ecosystem AN4 Philips Xitanium 1% 0-10V, LOG LN2 Philips Xitanium 1% 0-10V, LIN EA2 eldoLED, 0.1% 0-10V, LOG LA2 eldoLED, 0.1% 0-10V, LIN ED1 SOLdrive 0.1% DALI-2, LOG LD1 eldoLED, 0.1% DALI-2, LIN AS1/ Athena Control eldoLED, ASR 0.1% 120-277V* CS1/ Casambi Control eldoLED, CSR 0.1% 120-277V* TUNABLE WHITE REMOTE (0.1%, 120-277V) DD1 eldoLED, DUALdrive DALI-2, LOG DG1 eldoLED, DUALdrive 0-10V, LOG DN1 eldoLED, DUALdrive 0-10V, LIN AD1/ Athena Control, ADR EldoLED, DUALdrive* CD1/ Casambi Control, CDR EldoLED, DUALdrive* <small>*[Includes Node, Extended lead time, consult factory. ASR/CSR includes shunt. Casambi is remote only]</small>	Standard Media 04 Soft Focus Lens <small>*(Required for 10° optic)</small> Alternate Media NL No Lens* <small>*(Not available for wet location or Warm Dim)</small> 02 Honeycomb Louver* <small>*(Not available for wet location or Warm Dim)</small> 03 Clear Glass Lens* <small>*(Not available for Warm Dim)</small> 05 Frosted Glass Lens 09 Ultra Violet Lens 11 Shatterproof Soft Focus Lens 12 Shatterproof Frosted Lens 26 Frosted Linear Spread Lens* <small>*(Not available for wet location)</small>	F Flange Overlay (No Applique) G Zero Sightline Gypsum (1/16" Applique)* <small>*(Not available for wet location)</small> P Zero Sightline Plaster (1/8" Applique)* <small>*(Not available for wet location)</small>																			
			80S06A 80+ CRI, 6 Watts <small>[Delivered - 2RS 709, 2PS 687, 2SS 638]</small>	80S11A 80+ CRI, 11 Watts <small>[Delivered - 2RS 1152, 2PS 1111, 2SS 1163]</small>	80S15A 80+ CRI, 15 Watts <small>[Delivered - 2RS 1554, 2PS 1504, 2SS 1569]</small>						90S06A 90+ CRI, 6 Watts <small>[Delivered - 2RS 611, 2PS 592, 2SS 550]</small>	90S11A 90+ CRI, 11 Watts <small>[Delivered - 2RS 993, 2PS 958, 2SS 1003]</small>	90S15A 90+ CRI, 15 Watts <small>[Delivered - 2RS 1340, 2PS 1297, 2SS 1353]</small>	97S06A 97+ CRI, 6 Watts <small>[Delivered - 2RS 538, 2PS 521, 2SS 484]</small>	97S11A 97+ CRI, 11 Watts <small>[Delivered - 2RS 874, 2PS 843, 2SS 883]</small>	97S15A 97+ CRI, 15 Watts <small>[Delivered - 2RS 1179, 2PS 1411, 2SS 1191]</small>	HIGH FLUX STATIC WHITE 6.5" TALL HOUSING	80S21A 80+ CRI, 21 Watts <small>[Delivered - 2RS 2126, 2PS 2022, 2SS 2147]</small>	90S21A 90+ CRI, 21 Watts <small>[Delivered - 2RS 1833, 2PS 1743, 2SS 1851]</small>	97S21A 97+ CRI, 21 Watts <small>[Delivered - 2RS 1613, 2PS 1534, 2SS 1629]</small>	WL 2700K - 1800K <small>Incandescent Profile: 2700K - 1800K [Delivered - 2RS 686, 2PS 690, 2SS 617]</small>	WD 3000K - 1800K <small>Halogen Profile: 3000K - 1800K [Delivered - 2RS 688, 2PS 693, 2SS 619]</small>	WL 2700K - 1800K <small>Incandescent Profile: 2700K - 1800K [Delivered - 2RS 959, 2PS 974, 2SS 984]</small>	WD 3000K - 1800K <small>Halogen Profile: 3000K - 1800K [Delivered - 2RS 963, 2PS 970, 2SS 980]</small>	<small>*SEE PAGE 3 FOR DETAILED WARM DIM PROFILE COMPARISON.</small>	TR 4000K - 1800K <small>90T17A 90+ CRI, 17 Watts, Warm Profile: 4000K - 1800K [Delivered - 2RS 1280, 2PS 1162, 2SS 1293]</small>	TH 5000K - 2700K <small>Cool Profile: 5000K - 2700K [Delivered - 2RS 1137, 2PS 1152, 2SS 1148]</small>	<small>*ALL DELIVERED LUMEN OUTPUTS REFLECT 3000K PAIRED WITH 20° OPTIC AND SOFT FOCUS LENS. **ALL T-24 COMPLIANCE REFLECT 3000K PERFORMANCE. REFERENCE PAGE 3 FOR COMPLETE T24 COMPLIANT CONFIGURATION BREAKDOWN.</small>	<small>*SEE PAGE 3 FOR UGR RATINGS.</small>

PART NUMBER NOTES

- Trims ships as e.g., 2RS1-WH-80S15A2-2HB1-L2304
- Housing ships as e.g., NCL-2RF-1-LED-01
- Drivers ship with trim
- Applique ships with housing



Declare.

LUCIFER® LIGHTING COMPANY

luciferlighting.com

©2024 Lucifer® Lighting Company
As part of its policy of continuous research and product development, the company reserves the right to change or withdraw specifications without prior notice.

[PH] +1-210-227-7329 pg. 1
[FAX] +1-210-227-4967

2 SERIES LED SHALLOW REGRESS

ACCESSORIES

SECONDARY MEDIA

- HCL-2** Honeycomb Louver*

*[Not available for Warm Dim]

- CGL-2** Clear Glass Lens*

*[Not available for Warm Dim]

- SFL-2** Soft Focus Lens
- FGL-2** Frosted Glass Lens
- UVL-2** Ultra Violet Lens
- FLSL-2** Frosted Linear Spread Lens
- SFL-2-SP** Shatterproof Soft Focus Lens
- FGL-2-SP** Shatterproof Frosted Lens

ROUTER TOOL GUIDE [Dry / Damp locations only]

Recommended for Zero-Sightline installations in wood ceilings.

- DLA-RTG-2S-RD** Tool, [router guide](#), round; reusable
- DLA-RTG-2S-SQ** Tool, [router guide](#), square; reusable

STATIC WHITE REPLACEMENT OPTICS

- RO-50-15-S** 15° optic
- RO-50-20-S** 20° optic
- RO-50-25-S** 25° optic
- RO-50-40-S** 40° optic
- RO-50-60-S** 60° optic*

*[Not recommended for 2PA]

WARM DIM REPLACEMENT OPTICS

- RO-50-20-W** 20° optic
- RO-50-25-W** 25° optic
- RO-50-40-W** 40° optic
- RO-50-60-W** 60° optic*

*[Not recommended for 2PA]

TUNABLE WHITE REPLACEMENT OPTICS

- RO-50-15-T** 15° optic
- RO-50-20-T** 20° optic
- RO-50-25-T** 25° optic
- RO-50-40-T** 40° optic
- RO-50-60-T** 60° optic*

*[Not recommended for 2PA]

HANGER BAR EXTENDER KIT

Extends hanger bars from 24.0" to 46.0" maximum.

- 2S-HBE-46** Extender, Hanger Bar

FURRING CHANNEL ACCESSORY KIT

Recommended for installations in furring channel. Available for ceiling thicknesses from 0.125" - 1.25".

- DHA-FC-KIT**

ADJUSTMENT TOOL

One included with every four fixtures.

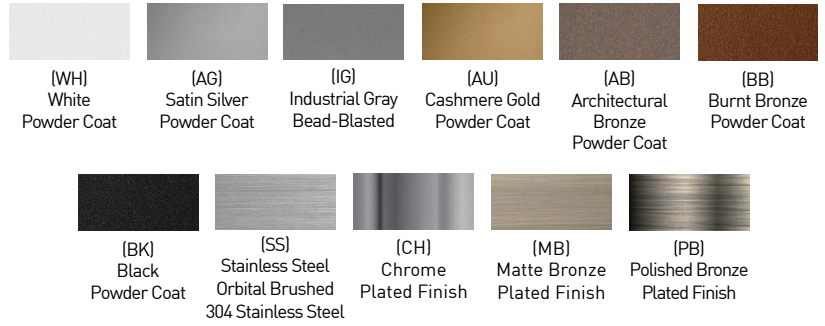
- TOOL-HEX-050**

EMERGENCY LIGHTING - REMOTE MOUNT ONLY

During disruption of main power, emergency battery inverter provides temporary 120V or 277V to fixture.

- EMB-S-25-120/277-LEDX** 25 watt max capacity, 120 or 277 VAC 60Hz, Non-Dimmable
- EMB-S-100-120-LEDX** 100 watt max capacity, 120 VAC 60Hz, 0-10V Dimmable
- EMB-S-100-277-LEDX** 100 watt max capacity, 277 VAC 60Hz, 0-10V Dimmable
- EMB-S-250-120/277-LEDX** 250 watt max capacity, 120 or 277 VAC 60Hz, 0-10V Dimmable

FINISHES BY LUCIFER LIGHTING™



2 SERIES LED SHALLOW REGRESS

PERFORMANCE - 3000K

CRI / WATTAGE PACKAGE	WATTAGE	SHALLOW REGRESS - 20° OPTIC - SOFT FOCUS LENS					
		2RS		2PS		2SS	
		DELIVERED	LPW	DELIVERED	LPW	DELIVERED	LPW
80S06A	6	709	118	687	114	638	106
80S11A	11	1152	105	1111	101	1163	106
80S15A	15	1554	104	1504	100	1569	105
80S21A	21	2126	101	2022	96	2147	102
90S06A	6	611	101	592	98	550	91
90S11A	11	993	90	958	87	1003	91
90S15A	15	1340	89	1297	86	1353	90
90S21A	21	1833	87	1743	83	1851	88
97S06A	6	538	89	521	86	484	80
97S11A	11	874	79	843	77	883	80
97S15A	15	1179	79	1141	76	1191	79
97S21A	21	1613	77	1534	73	1629	77
90W11AWL (2700K-1800K)	11	686	62	690	62	693	56
90W11AWD (3000K-1800K)	11	688	62	693	63	695	56
90W15AWL (2700K-1800K)	15	959	64	965	64	969	65
90W15AWD (3000K-1800K)	15	963	64	971	65	973	65
90T17ATR (4000K-1800K)	17	1280	60	1162	68	1293	68
90T17ATH (5000K-2700K)	17	1137	58	1152	69	1148	60



JA8-2022 INDICATED BY SHADING

CRI / WATTAGE PACKAGE	WATTAGE	SHALLOW REGRESS - 10° OPTIC - SOFT FOCUS LENS					
		2RS		2PS		2SS	
		DELIVERED	LPW	DELIVERED	LPW	DELIVERED	LPW
80S15C	15	494	33	447	30	493	33
90S15C	15	426	28	385	26	425	28
97S15C	15	368	25	332	22	367	24

OUTPUT MULTIPLIER

CCT	CCT SCALE
2400K	0.76
2700K	0.97
3000K	1.000
3500K	1.03
4000K	1.08

MEDIA LIGHT LOSS FACTOR

MEDIA	LIGHT LOSS FACTOR
NO LENS	1.04
CGL	1.01
SFL	1.00
FGL	0.89
FSFL	0.80
FLSL	0.79
HCL	0.67

TUNABLE WHITE MULTIPLIER

CCT	5000K-2700K	4000K-1800K
5000K	1.16	-
4000K	1.08	1.14
3500K	1.04	1.07
3000K	1.00	1.00
2700K	0.96	0.92
2400K	-	0.84
1800K	-	0.69

UNIFIED GLARE RATING

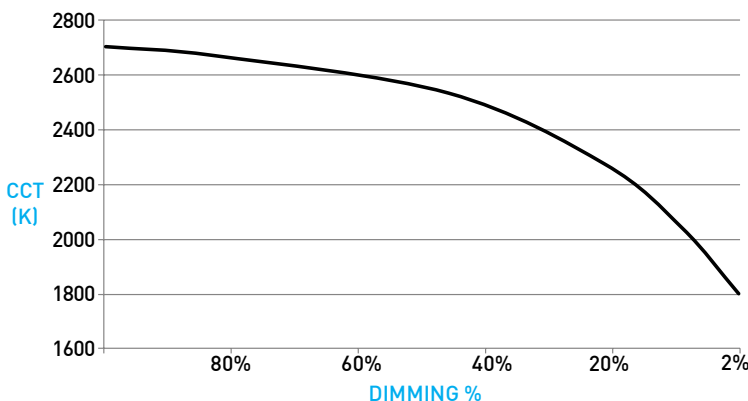
10° OPTIC SOFT FOCUS LENS	20° OPTIC SOFT FOCUS LENS	25° OPTIC SOFT FOCUS LENS	40° OPTIC SOFT FOCUS LENS	60° OPTIC SOFT FOCUS LENS
<19	<16	<16	<19	<16

WARM DIM PERFORMANCE - 25° OPTIC - SOFT FOCUS LENS

INCANDESCENT PROFILE

90W11AL 2700K - 1800K	Full on 100%	Dimmed to 80%	Dimmed to 70%	Dimmed to 50%	Dimmed to 20%	Dimmed to 10%	Dimmed to 2%
CCT (K)	2700	2650	2625	2550	2200	1900	1800
Light Output (Lm)	686	549	480	343	137	69	14
Power (W)	11	9	8	6	2.2	1.1	.2
Efficacy (LPW)	62	62	62	62	62	62	62

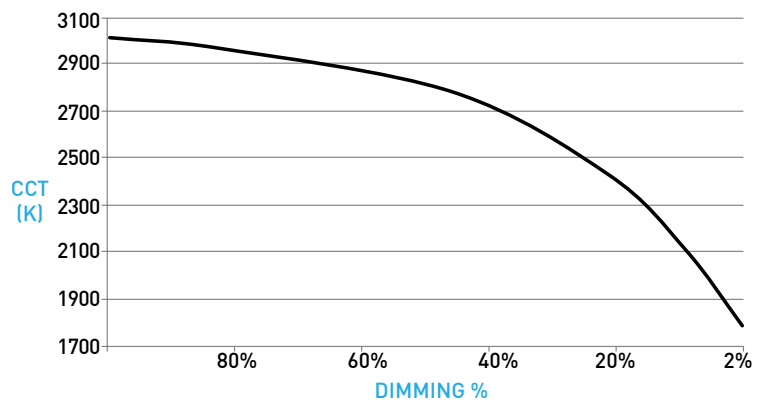
90W15AL 2700K - 1800K	Full on 100%	Dimmed to 80%	Dimmed to 70%	Dimmed to 50%	Dimmed to 20%	Dimmed to 10%	Dimmed to 2%
CCT (K)	2700	2650	2625	2550	2200	1900	1800
Light Output (Lm)	970	776	679	485	194	97	19
Power (W)	15	12	11	8	3	1.5	0.3
Efficacy (LPW)	64	64	64	64	64	64	64



HALOGEN PROFILE

90W11AD 3000K - 1800K	Full on 100%	Dimmed to 80%	Dimmed to 70%	Dimmed to 50%	Dimmed to 20%	Dimmed to 10%	Dimmed to 2%
CCT (K)	3000	2950	2920	2775	2375	2000	1800
Light Output (Lm)	688	550	482	344	138	69	14
Power (W)	11	9	8	6	2.2	1.1	.2
Efficacy (LPW)	62	62	62	62	62	62	62

90W15AD 3000K - 1800K	Full on 100%	Dimmed to 80%	Dimmed to 70%	Dimmed to 50%	Dimmed to 20%	Dimmed to 10%	Dimmed to 2%
CCT (K)	3000	2950	2920	2775	2375	2000	1800
Light Output (Lm)	974	779	682	487	195	97	19
Power (W)	15	12	11	8	3	1.5	0.3
Efficacy (LPW)	64	64	64	64	64	64	64



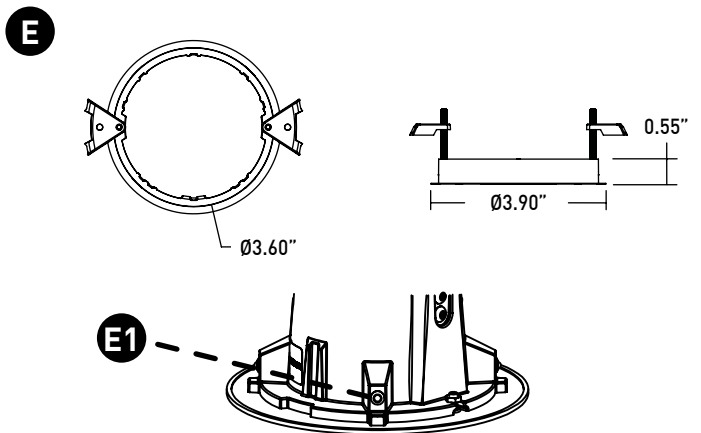
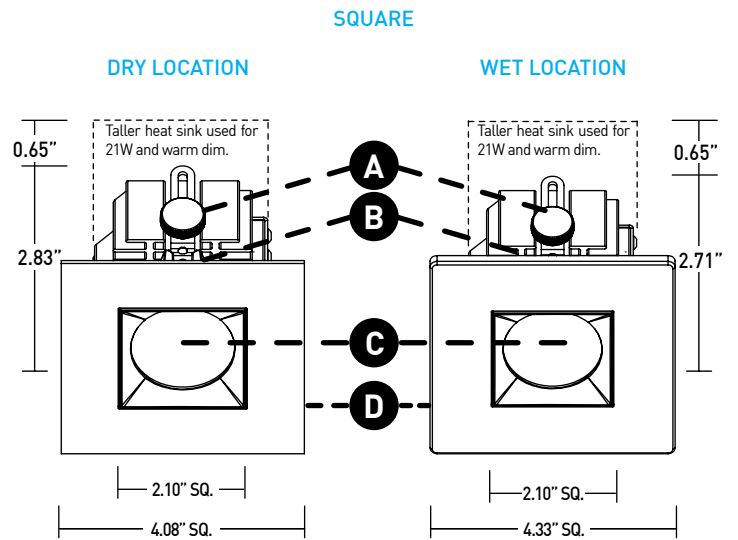
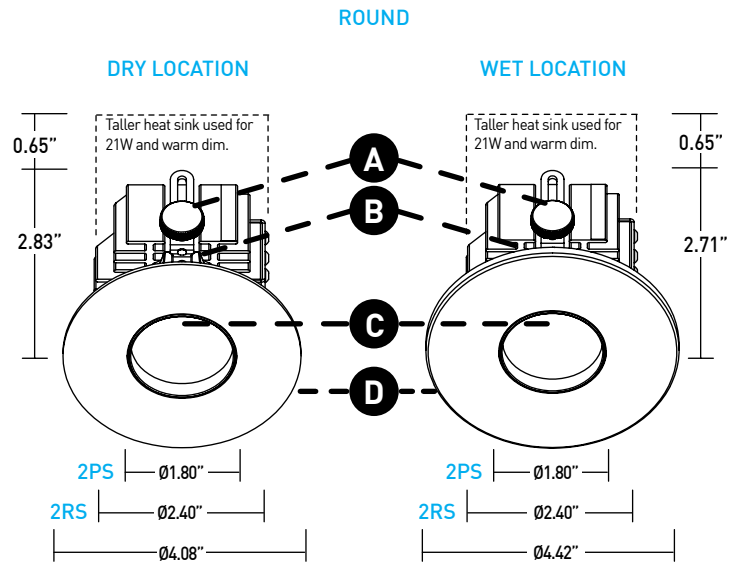
2 SERIES LED SHALLOW REGRESS

DOWNLIGHT

Die-cast shallow baffle minimizes aperture glare and conceals view into housing. Black finish standard.

- A** **ADJUSTABLE YOKE**
Adjustable yoke allows for quick exchange of optics and media. Accommodates up to 2 media; add 0.16" to fixture height with use of each media.
- B** **OPTICS**
Robust light engine with optimized optic pairing integrates Reflection, Refraction, and TIR offering 10°, 15°, 20°, 25°, 40° & 60° beams. 10° field reducer included with 10° optic.
- C** **MEDIA**
Soft Focus Lens standard; media must be specified. Lens is sealed in place on Wet location fixture. Secondary media available.
- D** **TRIM PLATE**
Wet location features integral silicone gasket.
 - Dry / Damp Location: Thickness measures 0.065".
 - Wet Location: 0.15" return, installed as flange overlay only.
- E** **DOWNLIGHT TRIM ADAPTER**
Included with fixture and required for installation. Provides required alignment with trim, ensuring fixture aim integrity is maintained Uses (2) #6-32 flat-head screws with varying lengths to accommodate ceiling depth. Installed after ceiling is complete.
- E1** **RETENTION**
Integral ball plungers correspond to trim adapter ensuring snug fit against finished ceiling.

DIMENSIONS / DRAWINGS



2 SERIES LED SHALLOW REGRESS

HOUSING

- F LOW FLUX NO INSULATION CONTACT (NON-IC) HOUSING**
- Included with NC and NR Low Flux wattage packages.
 - Minimum 0.50" setback from combustible and non-combustible materials on all sides and top of housing.
 - Minimum 3.00" setback from insulation material having max R-Value 30 on all sides and top of housing.
 - Minimum 6.00" setback from polycell spray foam insulation having max R-Value 60.
- LOW FLUX INSULATION CONTACT (IC) HOUSING**
- Included with IC, IR, AT, and AR LOW Flux wattage packages.
 - No setback from polycell spray foam insulation having max R-Value of 60 on all sides and top of housing.
- G HIGH FLUX / WARM DIM HOUSING**
- Satisfies IC, Airtight and NON-IC configurations.
 - Included with all HIGH Flux and Warm Dim wattage packages.
 - No setback from polycell spray foam insulation having max R-Value of 60 on all sides and top of housing.

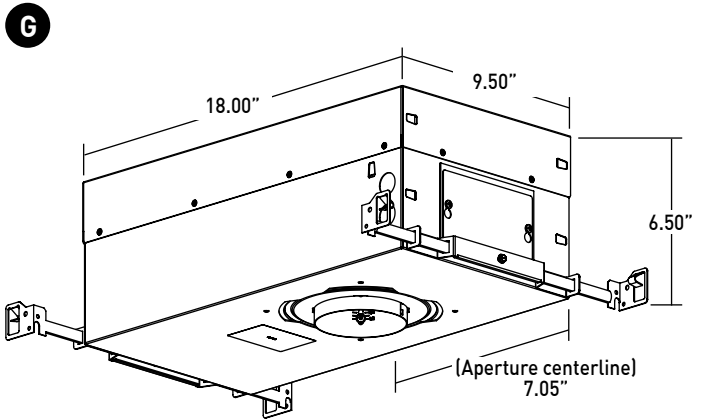
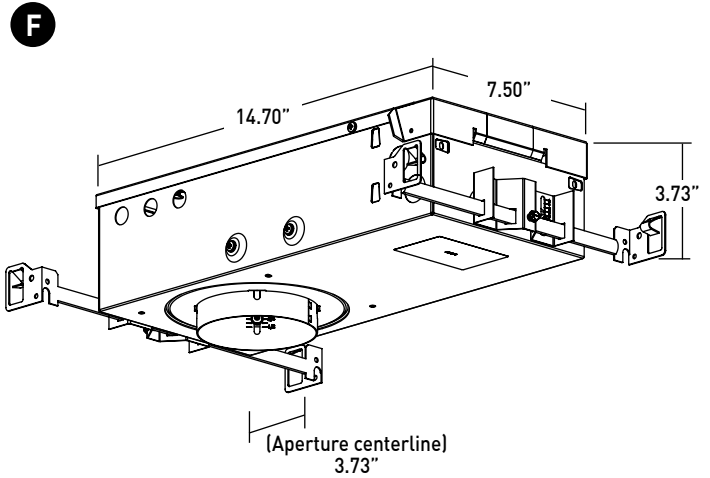
HOUSING MOUNTING NOTES

- AT and AR install types are required for CCEA, Airtight and Title 24 (JA8) applications.
- Do not install in environments where ambient temperatures exceed 40°C (104°F).
- Power supply compartment and all splice connections may be serviced from room side.
- Consult factory for spacing requirements for any installations exceeding R-Value 60.
- Hanger bars fitted to short and long side of Low Flux Housing, and short side only of High Flux / Warm Dim Housing; extend from 14.0" to 24.0", but may be field cut to accommodate narrow stud spacing. Can be extended up to 46" maximum with 2S-HBE-46 kit.
- Hanger bars and brackets add 4.00" to the overall dimension, but are exclusive of the setback requirements.
- Driver assembly ships with trim, not housing. Housing and trim feature push nuts and lever nuts for ease of installation.

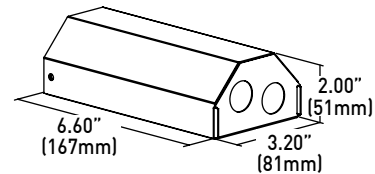
REMOTE POWER SUPPLY

- H** Provided with install types "IR", "NR" and "AR". See page 7 for maximum allowable wiring distances. Must be installed in an accessible location.
- I ATHENA / CASAMBI CONTROL**
Controls integrated into housing or remote driver assembly. All equipment is serviceable.
- Athena Model Numbers: A-WN-D01-RF-BL & DFC-OEM-DBI
- Casambi Model Number: BT-S1E1-5400
- J ATHENA / CASAMBI EM SHUNT**
Included with drivers specified as ASR, ADR, CSR, or CDR. One required for each wireless EM fixture, requires class 2 control wiring between fixture and shunt. Features integrated test switch.
- Model Number: PS-RMT-SHUNT

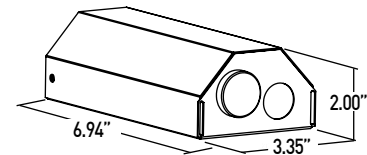
DIMENSIONS / DRAWINGS



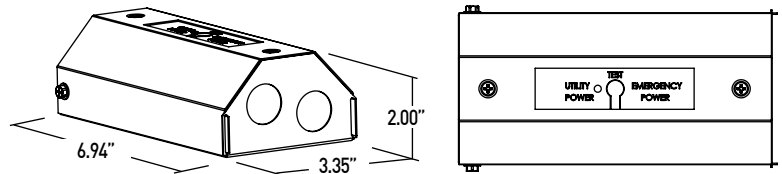
H **STANDARD ENCLOSURE**



I **ATHENA / CASAMBI ENCLOSURE**



J **ATHENA / CASAMBI EM SHUNT**



2 SERIES LED SHALLOW REGRESS

REMODEL POWER SUPPLY

- K REMODEL POWER SUPPLY**
- Included with RM Install Type.
 - UL2043 listed for air-handling plenum.
 - Fixture mounts without conventional housing using supplied downlight trim adapter.
 - Minimum 0.75" clearance from top of fixture.
 - Minimum setback from combustible and non-combustible materials of 6.63" radius from fixture centerline.
 - Minimum 3.00" setback from surfaces of power supply / junction box if not situated within above noted radius from fixture centerline.
 - Minimum additional 3.00" setback from insulation material with max R-Value 30 from any surface of downlight fixture assembly.
 - Minimum additional 6.00" setback from polycell spray foam insulation with max R-Value 60 from any surface of downlight fixture assembly.

REMODEL NOTES

- Do not install in environments where ambient temperatures exceed 40°C (104°F).
- Power supply compartment and all splice connections may be serviced from room side.
- Consult factory for spacing requirements for any installations exceeding R-Value 60.

L REMOTE APPLICATIONS

- Remote power supply included with RR Install Type.
- Must be installed in an accessible dry/damp location.
- Do not install in environments where ambient temperatures exceed 40°C (104°F)
- Requires plenum rated Class 2 cable between fixture and remote driver. Cable supplied by others.
- See page 7 for maximum allowable wiring distances.

ZERO-SIGHTLINE INSTALLATIONS

Fixture regresses flush with the finished ceiling plane when installed according to manufacturer instructions and finished ceiling conditions are met. Consult 2-Series Installation Guidelines for appropriate ceiling cutouts and instructions for proper Zero-Sightline installations.

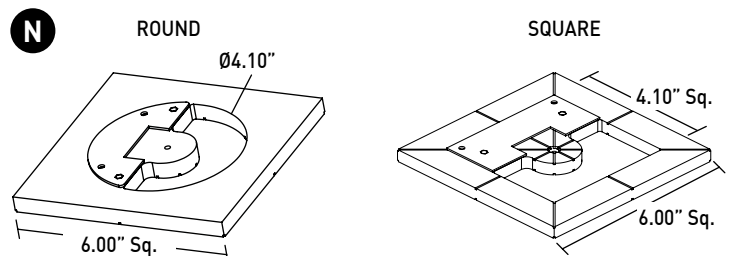
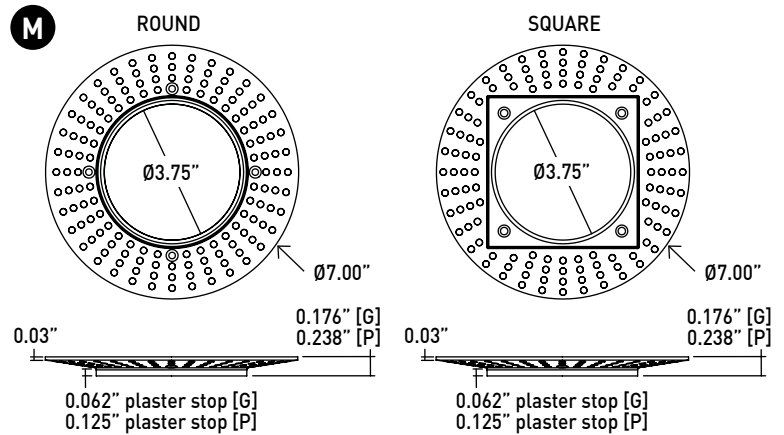
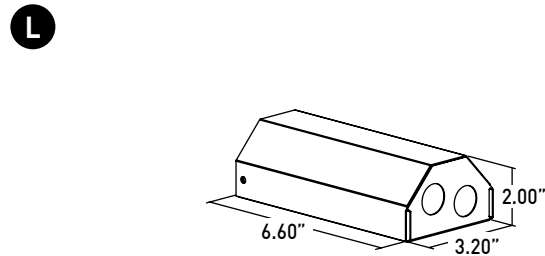
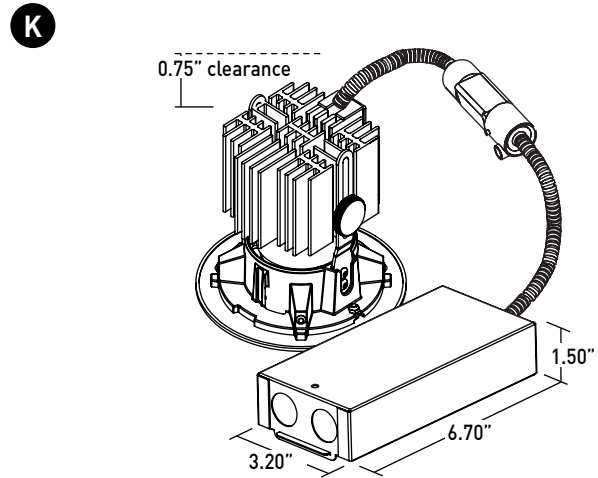
M APPLIQUÉ

- Specified on Flange Configuration and ships with housing; ships separately on remodel installations.
- For use in sheetrock ceiling applications.
 - 1/16" Appliqué (G Flange Configuration) recommended for gypsum ceiling installations and has plaster stop thickness of 1/16". Recommended for painted ceiling applications.
 - 1/8" Appliqué (P Flange Configuration) offers double thick plaster stop of 1/8" where a heavier application of mud is preferred. Recommended for colorfast and venetian plaster applications.
- Not recommended for stucco applications.

N ROUTER TOOL GUIDE

- Specified separately and used with Flange Overlay configurations.
- For use in wood ceiling applications.
- **DLA-RTG-2S-RD** or **DLA-RTG-2S-SQ** required for wood Zero-Sightline ceiling installations.
- Router tool guide is reusable and suitable for multiple fixtures.

DIMENSIONS / DRAWINGS



2 SERIES LED SHALLOW REGRESS

TECHNICAL INFORMATION

CONSTRUCTION

Downlight: Steel and aluminum; extruded aluminum heat-sink; painted finishes are granulated powder coat. 304 corrosion resistant stainless steel faceplate for wet location fixtures.

Trim Adapter: High-impact composite and stainless steel.

Housing: 22 Gauge galvanized steel.

Appliqué: Zinc alloy.

STATIC WHITE LED

2-step MacAdam ellipse LED module available in 80+, 90+ and 97+ CRI configurations in color temperatures of 2700K, 3000K, 3500K and 4000K. 3-step MacAdam ellipse LED module available in 90+ configuration in color temperature of 2400K. Average rated lamp life of 50,000 hours. LED and driver assemblies are field-replaceable.

WARM DIM LED

3-step MacAdam ellipse warm dim LED module available in 90+ CRI configuration. 3000K or 2700K at full brightness, warming to 1800K at full dim. Average rated lamp life of 50,000 hours. LED and driver assemblies are field-replaceable.

TUNABLE WHITE LED

3-step MacAdam ellipse tunable white LED module available in 90+ CRI configuration. Features tuning range of 2700K to 5000K and 1800K to 4000K. Average rated lamp life of 50,000 hours. Driver assemblies are field-replaceable.

POWER SUPPLY PERFORMANCE AND DIMMING INFORMATION

Power Supply	PHASE		ECO		0-10V						DALI-2			ATHENA	CASAMBI
	L23	TR2	LH1	LP1	EA2	LA2	AN4	LN2	DG1	DN1	ED1	LD1	DD1	AS1/AD1	CS1/CD1
Minimum °C	0 °C	-20 °C	0 °C	0 °C	-20 °C	-20 °C	-20 °C	-20 °C	-20 °C	-20 °C	-20 °C	-20 °C	-20 °C	0 °C	-20 °C
Maximum °C	40 °C	40 °C	40 °C	40 °C	40 °C	40 °C	40 °C	40 °C	40 °C	40 °C	40 °C	40 °C	40 °C	40 °C	40 °C
Dimming %	1.0%	2.0%	1.0%	0.1%	0.1%	0.1%	1.0%	1.0%	0.1%	0.1%	0.1%	0.1%	0.1%	0.1%	0.1%

Note: For EA2, LA2 and L23 drivers consult chart on page 8 to confirm appropriate dimming curve for compatibility with selected control.

MAXIMUM ALLOWABLE REMOTE DRIVER WIRING DISTANCES

DRIVER	WIRE AWG				
	12	14	16	18	20
TR2, AN4, LN2	285'	180'	113'	71'	45'
L23, LH1, LP1	60'	40'	25'	15'	-
EA2, LA2, ED1, LD1, DG1, DN1, DD1, AS1, AD1, CS1, CD1	-	-	118'	72'	46'

LISTING

cTUVus listed to UL1598 standard for Dry / Damp and Wet locations. CCEA, Airtight and Title 24 JA8-2022 Listed. NEMA 410 Compliant.

DECLARE

LBC Red List Approved.

FIXTURE WEIGHT

Trim - 2 lbs max

Low Flux Housing - 4.2 lbs

High Flux / Warm Dim Housing - 7.4 lbs

Remote / Remodel Driver - 1.4 lbs

LIMITED WARRANTY

Manufacturer's Limited Warranty guarantees product(s) listed to be free from defects in material and workmanship under normal use and service for 1-year. LED and power supplies are warranted to operate with 70% of original flux and remain within a range of 3 duv for a period of 5-years.

10-year Lutron Advantage limited warranty available on Lutron equipped systems. Warranty period begins from the date of shipment by Seller.

[Consult website for full warranty terms and conditions.](#)

CHANGE LOG

- 04/06/2022: REMOVED REMOTE REMODEL ACCESSORY KIT DLA2-RMT-AK.
- 10/17/2022: REMOVED 90WA12H 3200K-1800K WARM DIM AND ADDED 90WA12H 3000K-1800K WARM DIM.
- 11/28/2022: REMODEL FIXTURES UPDATED WITH METAL CLASP CONNECTORS.
- 04/26/2023: ADDED DECLARE LBC RED LIST APPROVED.
- 05/19/2023: UPDATED PERFORMANCE DATA WITH NEW OPTICS.
- 08/08/2023: UPDATED WITH NEW LED AND OPTIC SYSTEM.
- 01/11/2024: ADDED ATHENA AND CASAMBI CONTROL OFFERING. ADDED 2400K OFFERING.
- 02/07/2024: ADDED TUNABLE WHITE OFFERING.
- 03/15/2024: ADDED 10 DEGREE FIELD REDUCER, UPDATED 10 DEGREE PERFORMANCE DATA



Declare.

2 SERIES LED SHALLOW REGRESS

DIMMING COMPATIBILITY

PHILIPS DRIVER COMPATIBILITY

Power supply TR2 Manufacturer	Family/Model #
Lutron Electronics	DV-600P
Lutron Electronics	DVELV-303P
Lutron Electronics	NTELV-600
Lutron Electronics	MAELV-600
Lutron Electronics	SELV-300P
Lutron Electronics	DVLV-600P
Lutron Electronics	NFTU-5A
Lutron Electronics	CTCL-153P
Lutron Electronics	GL-600H
Lutron Electronics	S-600P
Lutron Electronics	PHPM
Power supply AN4 Manufacturer	Family/Model #
Lutron Electronics	DVTV plus PP-DV
Lutron Electronics	DVSCVT plus PP-DV
Lutron Electronics	DVSTV
Lutron Electronics	DVSCSTV
Lutron Electronics	QSGRJ-XP plus GRX-TVI
Lutron Electronics	QSGRJ-XE plus GRX-TVI
Lutron Electronics	QSGR-XE plus GRX-TVI
Lutron Electronics	NFTV plus PP-DV
Lutron Electronics	NTSTV
Lutron Electronics	RMJ-5T
Lutron Electronics	RMJS-8T
Lutron Electronics	FCJS-010
Leviton	IlumaTch IP7 series
Philips	Sunrise - SR1200ZTUNV

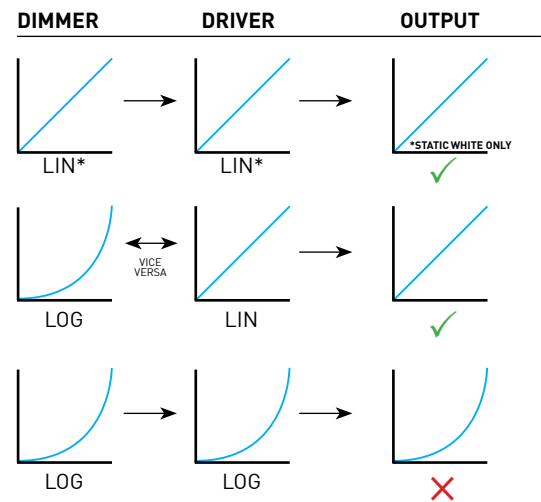
LUTRON DRIVER COMPATIBILITY

Power supply L23 Lutron Product Family	Part No.
Maestro WirelessR 600 W dimmer	MRF2-6ND-120-
Maestro WirelessR 1000 W dimmer	MRF2-10ND-120-
Caséta® Wireless Pro 1000 W dimmer	PD-10NXD-
GRAFIK T™ CL® dimmer	GT-250M-GTJ-250M-
HomeWorks® QS adaptive dimmer	HQRD-6NA-
HomeWorks® QS 600 W dimmer	HQRD-6ND-
HomeWorks® QS 1000 W dimmer	HQRD-10ND-
RadioRA® 2 adaptive dimmer	RRD-6NA-
RadioRA® 2 1000 W dimmer	RRD-10ND
myRoom™ DIN power module	MQSE-4A1-D
HomeWorks® QS DIN power module	LQSE-4A1-D
HomeWorks® QS wallbox power module	HQRJ-WPM-6D-120
HomeWorks® wallbox power module	HWI-WPM-6D-120
GRAFIK Eye® QS control unit	QSGR-, QSGRJ-
GRAFIK Eye® 3000 control unit	GRX-3100-GRX-3500-
RPM-4U module (LCP, HomeWorks® QS, GRAFIK Systems™, Quantum®)	HW-RPM-4U-120 LP-RPM-4U-120
RPM-4A module (LCP, HomeWorks® QS, GRAFIK Systems™, Quantum®)	HW-RPM-4A-120, LP-RPM-4A-120
GP dimming panels	Various
Ariadni CL 250W dimmer	AYCL-253P-
Diva CL 250W dimmer	DVCL-253P-DCSCCL-253P-
Nova T CL 250W dimmer	NTCL-250-
Power supply LH1 / LP1 Lutron Product Family	Part No.
PowPak Dimming Modules	RMJ-EC032-DV-B
PowPak Dimming Modules	FCJ/FCJS-ECO
Energi Savr Nodes	QSN-1ECO-S
GRAFIK Eye QS control unit	QSN-2ECO-S
Homeworks QS control unit	QSGRJ- _E (wireless) QSGR- _E
Quantum Hub	QP2-__ 2C
Quantum Hub	QP2-__ 4C
Quantum Hub	QP2-__ 6C
Quantum Hub	QP2-__ 8C
Homeworks QS power module	LQSE-2ECO-D
myRoom Plus power module	

eldoLED DRIVER COMPATIBILITY

Power supply EA2/LA2 Manufacturer	Family/Model #
Busch-Jaeger	2112U-101
Jung	240-10
Leviton Lighting Controls	IP710-DLX
Lightolier Controls	ZP600FAM120
Merten	5729
Pass & Seymour	CD4FB-W
The Watt Stopper	DCLV1
Synergy	ISD BC
Crestron®	GLX-DIMFLV8
Crestron®	GLXP-DIMFLV8
Crestron®	GLPAC-DIMFLV4-*
Crestron®	GLPAC-DIMFLV8-*
Crestron®	GLPP-DIMFLVEX-PM
Crestron®	GLPP-1DIMFLV2EX-PM
Crestron®	GLPP-1DIMFLV3EX-PM
Crestron®	DIN-A08
Crestron®	DIN-4DIMFLV4
Crestron®	CLS-EXP-DIMFLV
Crestron®	CLCI-1DIMFLV2EX
Power supply EA2/LA2 Manufacturer	Family/Model #
Lutron Electronics	Nova T® - NTFTV
Lutron Electronics	Diva® - DVTV
Lutron Electronics	Nova® - NFTV
Lutron Electronics	GrafixEye® GRX-TVI w GRX3503
Lutron Electronics	Energy Savr Node™ - QSN-4T16-S
Lutron Electronics	TVM2 Module
Sensor Switch	nIO EZ
ABB	SD/S 2.16.1

ANALOG DRIVERS AND DIMMERS



LIN = LINEAR
 LOG = LOGARITHMIC
 *LIN-TO-LIN NOT COMPATIBLE FOR WARM-DIM

